



Charleston Style Awning

OWNER'S MANUAL & INSTALLATION INSTRUCTIONS



WARNING: Adult Assembly Required



WARNING: Assembly Kit Contains Parts With Sharp Points, Sharp Edges, and Small Parts That Can Present Choking Hazards to Children.



WARNING: Components Are Packed In Plastic Bags that are a Suffocation Hazard.

NOTE: Please inspect the parts for damage during shipping and/or for any missing items. If you suspect that there may be damage or a shortage, contact us and we will send replacement parts if needed. At this time, visualize how the components fit together and make sure that you have identified the various parts.

Important Installation Information :

Charleston frame must be installed on the wall as there is no connecting part between Architectural Arms (AA) and Top Bar (TB).

Please read instructions fully before installing.

Models with Valance: CH21, CH22, ECH 23, CH32, CH33, CH42, ECH1836

Awning size	Width in inches	Awning Size	Width to Inches
3	40.5	12	148.5
4	52.5	13	160.5
5	64.5	14	172.5
6	76.5	15	184.5
7	88.5	16	196.5
8	100.5	17	208.5
9	112.5	18	220.5
10	124.5	19	232.5
11	136.5	20	244.5

OUR AWNINGS ARE DESIGNED 4.5" WIDER THAN STANDARD WINDOW/DOOR OPENINGS SO THEY ANCHOR TO THE STUDS AROUND THE WINDOW OR DOOR. EXAMPLE: RR22-5 IS FOR 5'-0" WIDE WINDOW. IT MEASURES 64.5" WIDE, 31" TALL, (24" PLUS 7" VALANCE AND 24" DEEP (PROJECTION)

There is a variety of building wall surfaces; we do not supply the hardware to install your awning. You will need to purchase installation hardware at your local hardware store. We have advised you on different surface applications below:

CONCRETE BLOCK WALLS: 3/8" x 3" Masonry anchor bolts or Tapcon Screws plus Washers (1 per bracket)

WOOD OR SIDING: 3/8" x 3" Lag Screws plus Washers (1 per bracket)

OTHER STRUCTURES: CONSULT A PROFESSIONAL

PARTS:

Awning Size in Ft.	3-4	5	6-7	8-10	11-12	13-18	Custom
(TB) Top Bar – C Channel	1	1	2	2	3	3	
(FB) Front Bar	1	1	2	2	3	3	
(NC) Hypotenuse/Cover Support	2	3	3	5	4	7	
(AA) Architecture Arms	2	2	2	2	2	2	
(BP) Black Projection Bar		1	1	3	2	5	

Other parts: Z-Brackets, self-tapping screws

All awning sizes over 6' wide come in multiple sections. Example: 6' size Top Bar (TB) consists of TB1 & TB2 and Front Bar (FB) consist of FB1 & FB2

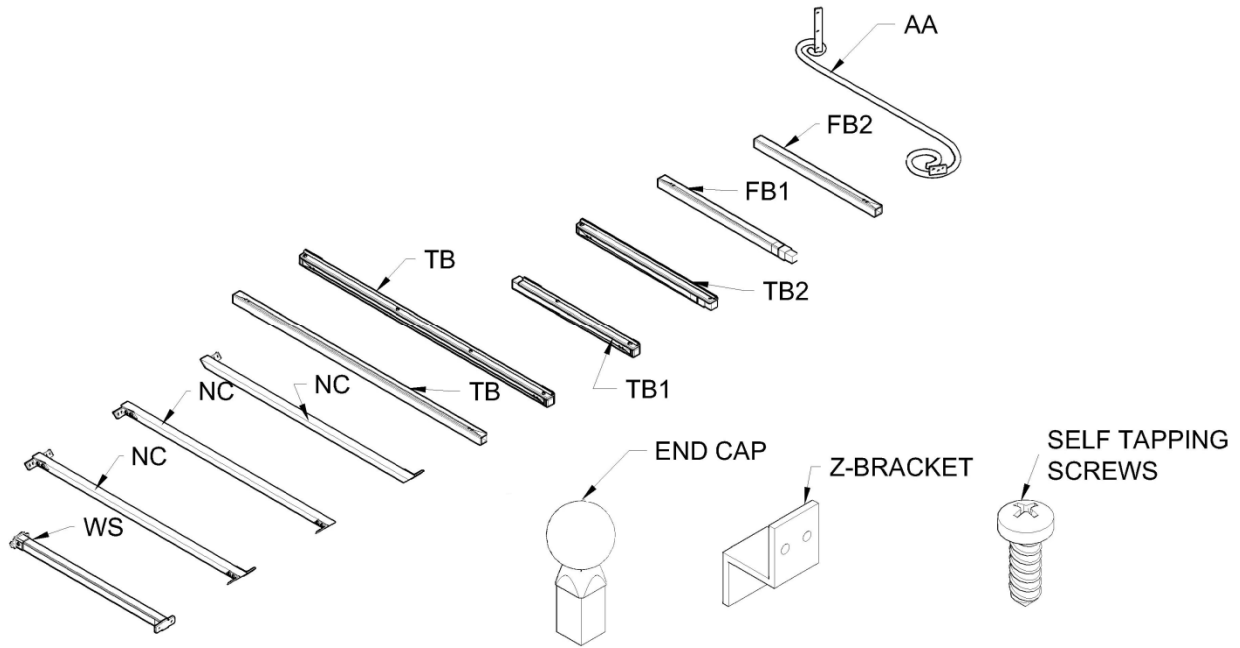
Tools Required: Electric Impact Drill, Installation Anchors (as per your wall type), Tape Measure, Safety Glasses, 4' Level, a Safe Ladder and #2 pencils.

YOU MAY ALSO NEED AN ASSISTANT FOR LARGER AWNINGS. IT DEPENDS ON THE SIZE AND WEIGHT OF THE AWNING.

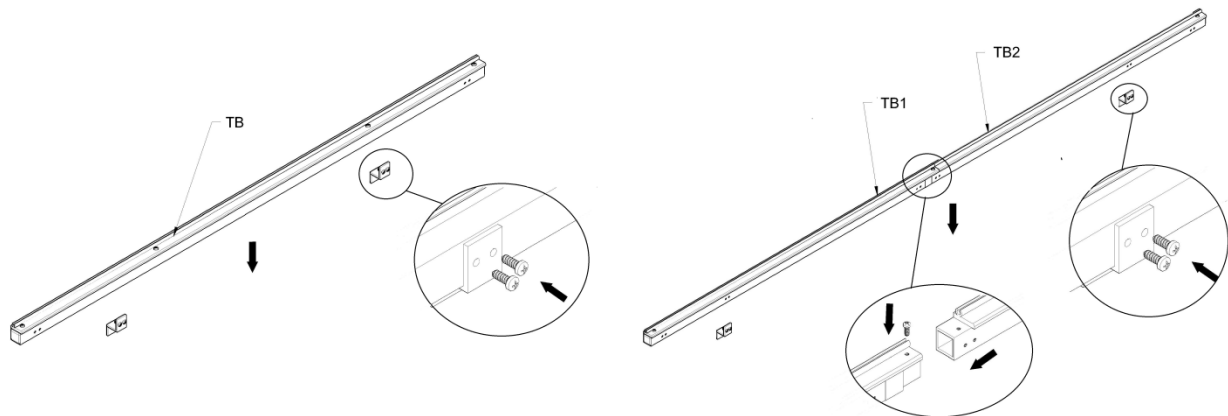
NOTE: YOU WILL FIND THAT THE FITTINGS HAVE BEEN PRE-INSTALLED, AS WE HAVE PRE-ASSEMBLED AND INSPECTED IT FOR YOU IN THE FACTORY.

The Charleston® frame must be installed on the wall as there is no connecting part between Spear Arm (SA) and Top Bar (TB)

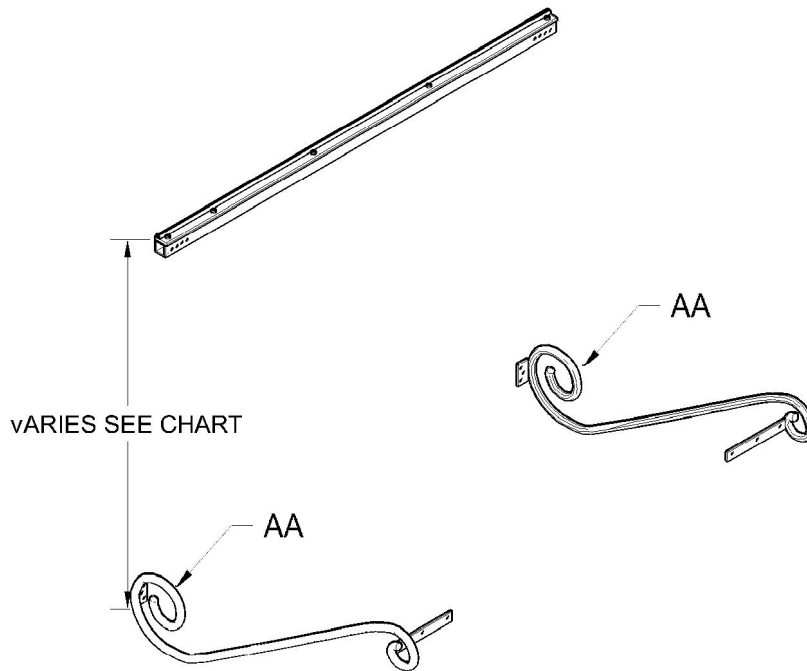
STEP 1: Separate all of the parts, so they will be easy to assemble. Please refer to Parts chart for quantities for each part. (pg. 2)



STEP 2: The Top Bar (TB) must be installed first. Mount Provided Z-Brackets to surface, and insert TB into brackets. There are no pre-drilled holes for the Z-Bracket. You'll use self tapping screws to secure them wherever you like. The C-Channel must be close to the wall. Before installing the TB you must make sure that there is enough space below to install AA. (Please see the chart below for the height measurements)



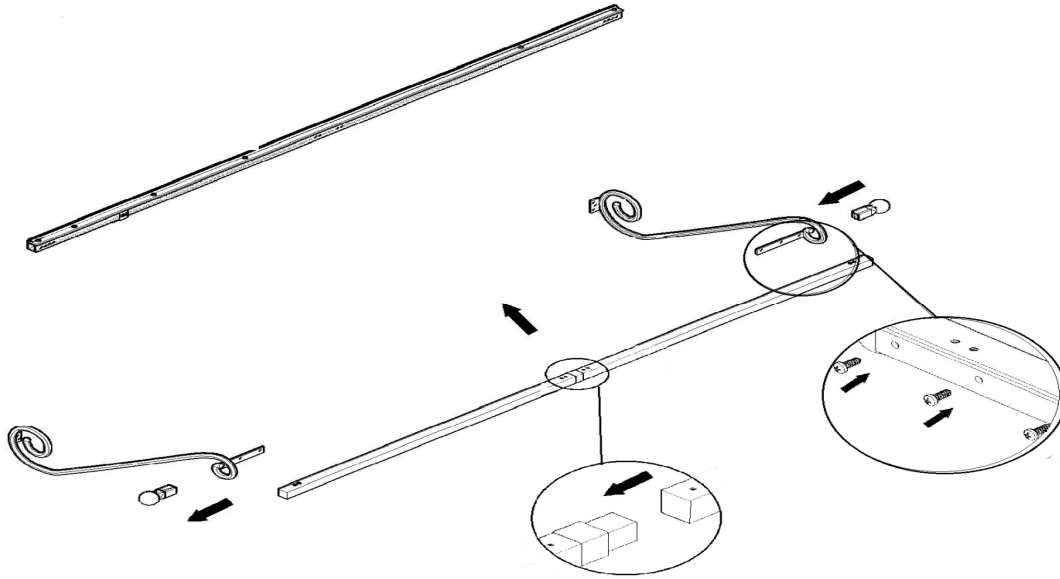
STEP 3: Install the AA to the mounting surface. The space between the top of the (TB) and the bottom of the (AA) is indicated below.



*****all the sizes are in inches**

Model	Space between TB and SA in inches	Height incl. valance	Projection
CH22	24	24	24
CH32	36	36	24
CH33	36	36	36
CH21	12	18	12
ECH1836	18	18	36
ECH23	24	24	36

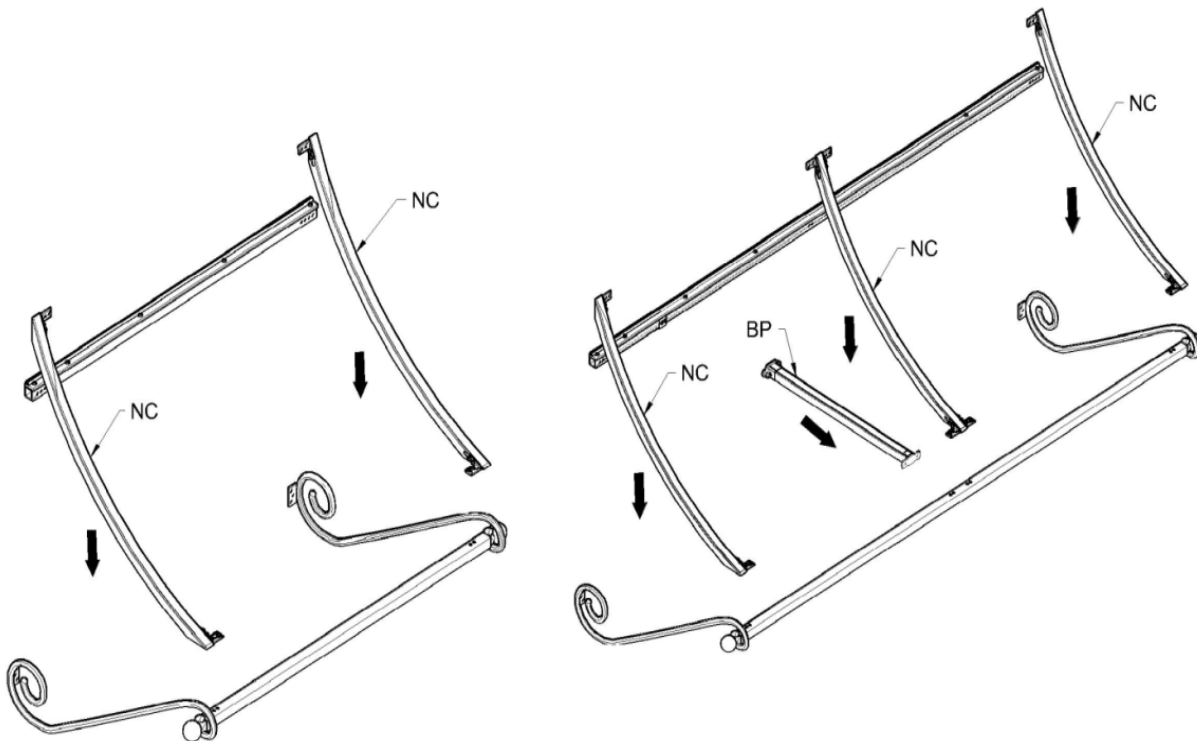
STEP 4: Install the Front Bar (FB) to the Architectural arms (AA). Secure with self-tapping screws. Velcro will face out unless you have model CH21 for this model the Velcro will face up. NOTE: 6' – 20' awnings Front bar comes in several segments.



STEP 5: Install the NC (left and right) with arrow facing upwards. Secure those with self-tapping screws, the holes on the (FB) and (TB) are pre-drilled. Make sure that the Velcro on NCs are facing inwards. Note: If the awning is larger than 4' (52.5") wide then you must install additional (NCs) and (WSs) to complete the frame assembly and installation. (WSs) will not have pre-drilled holes. You'll need to use self tapping screws to attach them to the back end of the front bar wherever space is available.

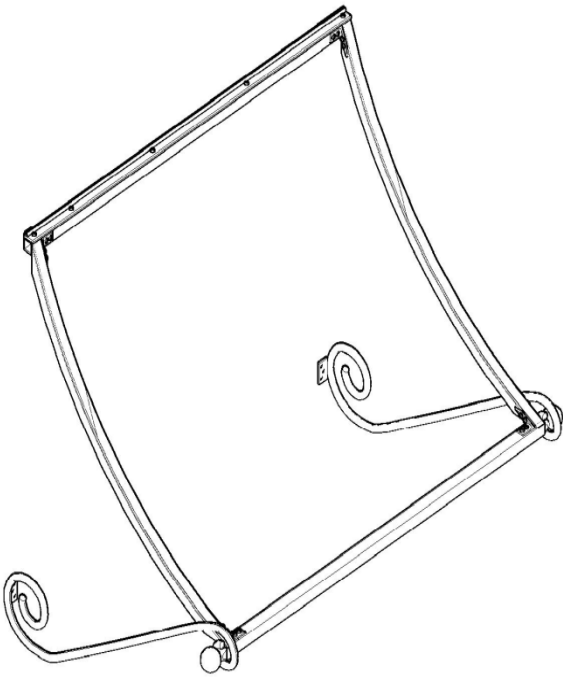
Frame 2'-4'

Frame 5'-7'

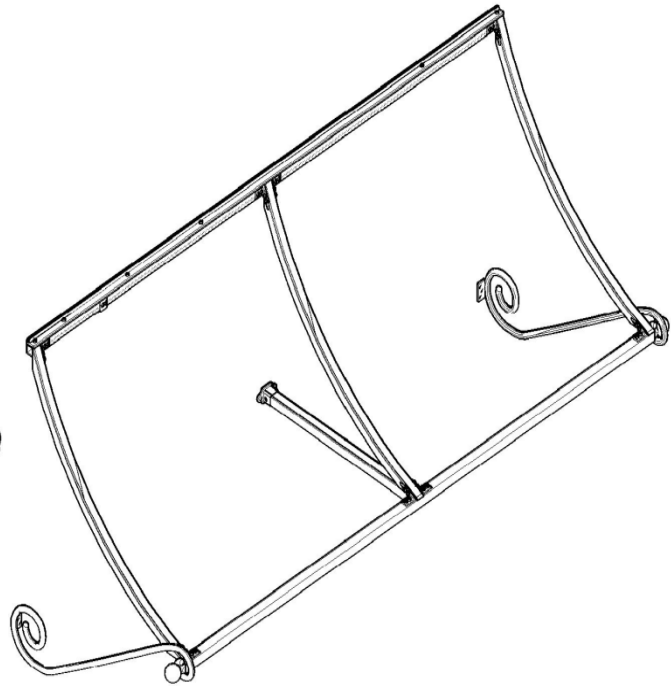


The Frame for Charleston is complete.

Frame 2'-4'

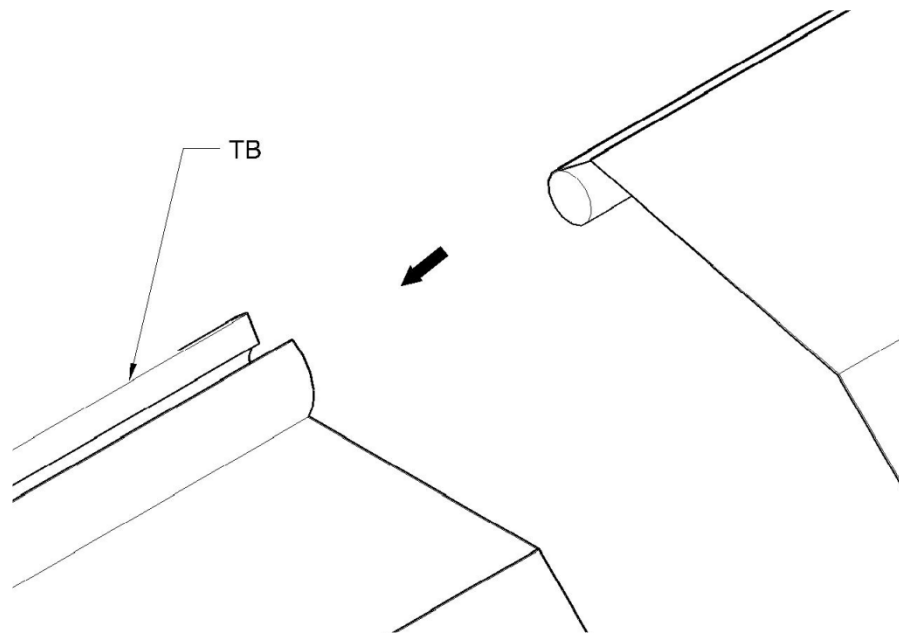


Frame 5'-7'



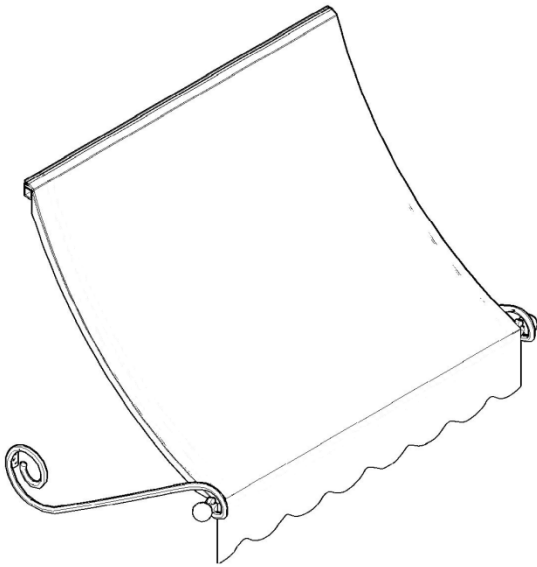
INSTALLING THE COVER

STEP 6: Slide the tubing at the top of the fabric cover into the C-Channel on the top of (TB).

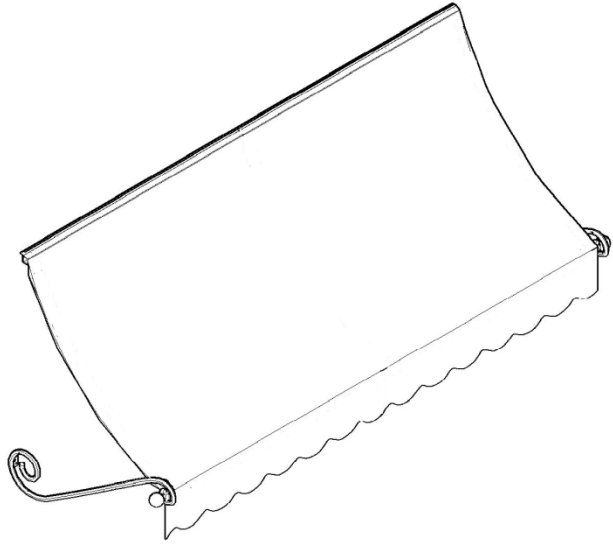


STEP 7: Pull the remainder of fabric over the fame with the valance hanging down below the (NC) and (FB) bars.

Frame 2'-4'



Frame 5'-7'



STEP 7: Once you are satisfied with the position of the cover, Pull the tabs snugly and attach them to the pre-installed Velcro tape on the bars.

