



## Chicago Style Awning OWNER'S MANUAL & INSTALLATION INSTRUCTIONS



**WARNING:** Adult Assembly Required



**WARNING:** Assembly Kit Contains Parts With Sharp Points, Sharp Edges, and Small Parts That Can Present Choking Hazards to Children.



**WARNING:** Components Are Packed In Plastic Bags that are a Suffocation Hazard.

**NOTE:** Please inspect the parts for damage during shipping and/or for any missing items. If you suspect that there may be damage or a shortage, contact us and we will send replacement parts if needed. At this time, visualize how the components fit together and make sure that you have identified the various parts.

**Models with Valance:**

RC22, CC33, CC44

Awning size	Width in inches	Awning Size	Width to Inches
3	40.5	12	148.5
4	52.5	13	160.5
5	64.5	14	172.5
6	76.5	15	184.5
7	88.5	16	196.5
8	100.5	17	208.5
9	112.5	18	220.5
10	124.5	19	232.5
11	136.5	20	244.5

*OUR AWNINGS ARE DESIGNED 4.5" WIDER THAN STANDARD WINDOW/DOOR OPENINGS SO THEY ANCHOR TO THE STUDS AROUND THE WINDOW OR DOOR. EXAMPLE: RR22-5 IS FOR 5'-0" WIDE WINDOW. IT MEASURES 64.5" WIDE, 31" TALL, (24" PLUS 7" VALANCE AND 24" DEEP (PROJECTION))*

There is a variety of building wall surfaces; we do not supply the hardware to install your awning. You will need to purchase installation hardware at your local hardware store. We have advised you on different surface applications below:

**CONCRETE BLOCK WALLS:** (1) 1/2" masonry bit with a 3/8" shank, (4-5) 5/16"x3" Masonry anchor bolts, 9/16" socket.

**METAL BUILDINGS:** (1) 2X6X8 #2YP Cut into 12" blocks for the back side of the metal, (4-5) 5/16"x4" lag bolts, (4-5) 5/16" washer and 3/8" drill bit. Bolt through the washer, the bracket and the metal into wood blocks behind the metal.

**ANY TYPE OF SIDING:** (4-5) 1/4"x4" toggle bolts, (4-5) 1/4" washers, (1) Flat head screwdriver, (1) 1/2" drill bit (or if you hit a stud) ; (5-8) 5/16"x4" lag bolts, (4-5) 5/16" washers, (1) 3/16" drill bit and a 9/16" socket.

**CONCRETE, BRICK OR STONE:** (1) 1/2" Masonry bit with a 3/8" shank, (4-5) 5/16"x3" masonry anchor bolts, (4) 5/16"x4" bushings, 9/16" sockets. You will also need a roll of weather stripping.

**Stucco:** (4-5) 1/4"x4" toggle bolts, (4-5) 1/4" washers, (1) flat head screwdriver, (1) 1/2" drill bit (or if you hit a stud): (4) 5/16"x4" lag bolts, (4-5) 5/16" washers, (1) 3/16" drill bit and a 9/16" socket.

**PARTS:**

Parts List							Center Ribs & Wall Supports		
Size	Plates	Ribs (R)	Top Bar (TB)	Front Bar (FB)	Left Projection Curve (LPR)	Right Projection Curve (RPR)	RC22	CC33	CC44
3	1	7			1	1	0	0	0
4-5	2	8	1	1	1	1	0	0	0
6-7	2	8	1	1	1	1	1-1	0	0
8	2	8	1	1	1	1	2-2	0	0
9	2	8	1	1	1	1	3-3	1-1	0
10	2	8	1	1	1	1	3-3	3-3	0
11-12	2	8	1	1	1	1	5-5	3-3	1-1
13-16	2	8	1	1	1	1	5-5	5-5	3-3
Custom									

Other parts: Z-Brackets, Self-tapping Screws, 1/1/2" Bolts, Nuts

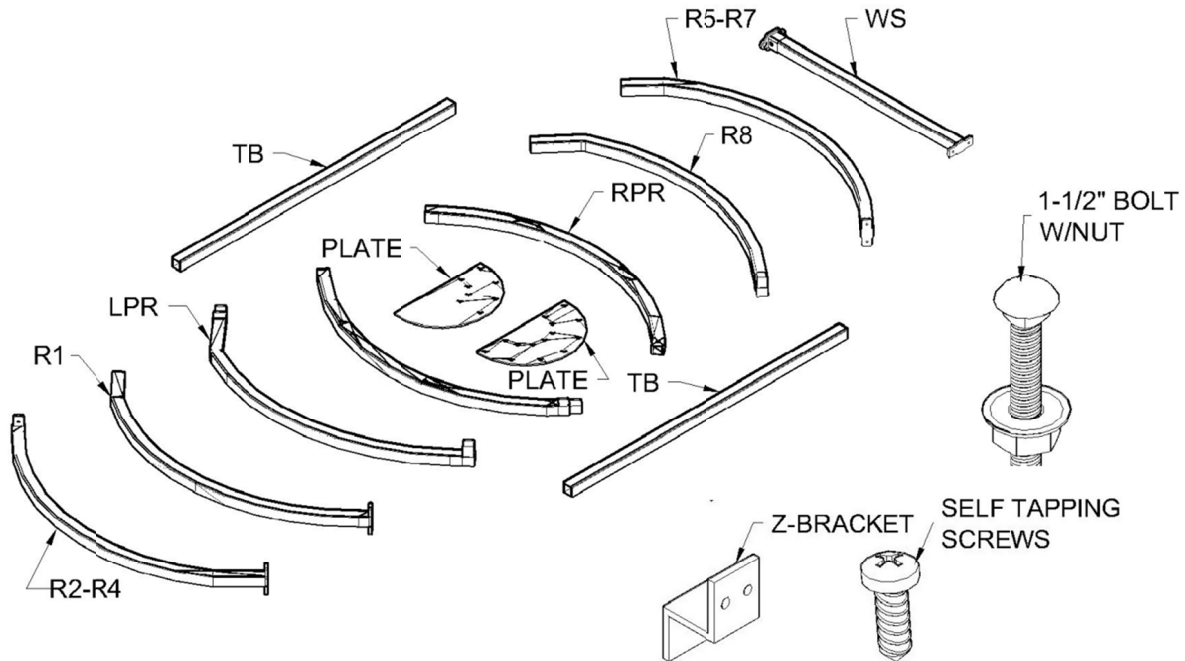
**Tools Required:** Electrical Drill, 1/4" Nut Driver Bit, Full Socket Set, Full set of Steel and Masonry Bits, Tape Measure, Safety Glasses, 4' Level, A Safe Ladder, a #2 Pencil

YOU MAY ALSO NEED AN ASSISTANT FOR LARGER AWNINGS. IT DEPENDS ON THE SIZE AND WEIGHT OF THE AWNING.

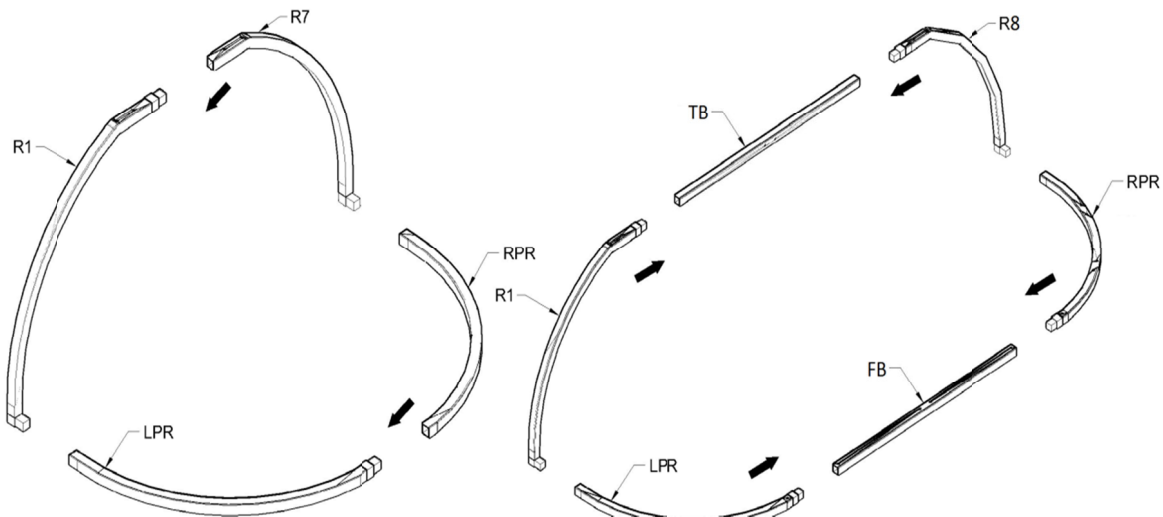
NOTE: YOU WILL FIND THAT THE FITTINGS HAVE BEEN PRE-INSTALLED, AS WE HAVE PRE-ASSEMBLED AND INSPECTED IT FOR YOU IN THE FACTORY.

**Chicago should be assembled on the ground**

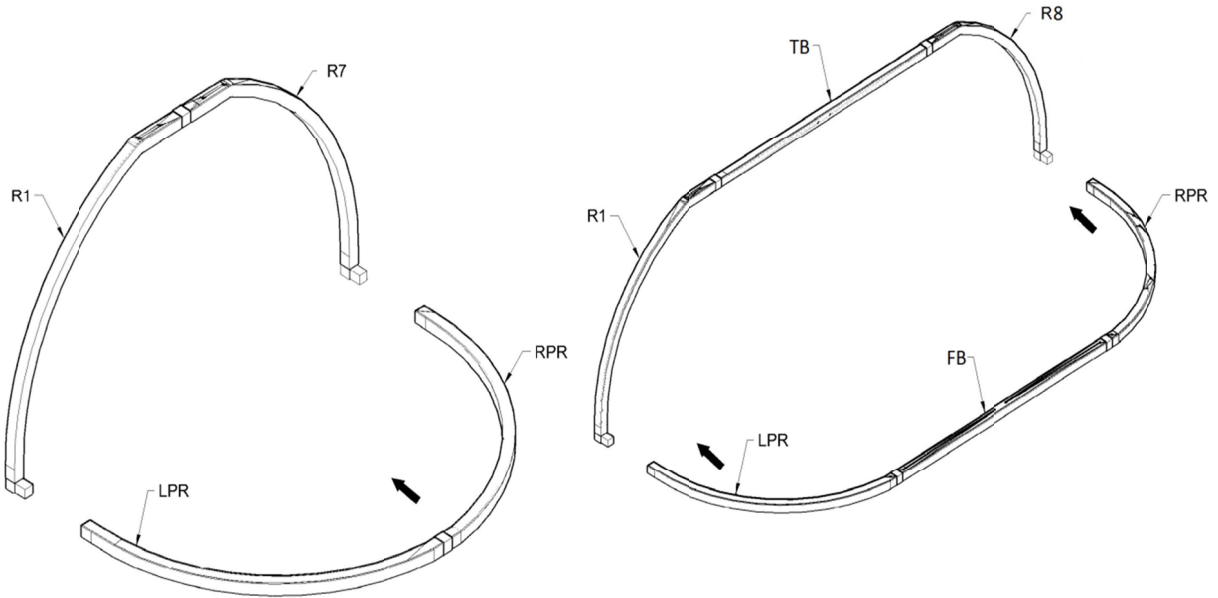
**STEP 1:** Separate all of the parts, so they will be easy to assemble. Please refer to parts chart for quantities based on the width of your awning.



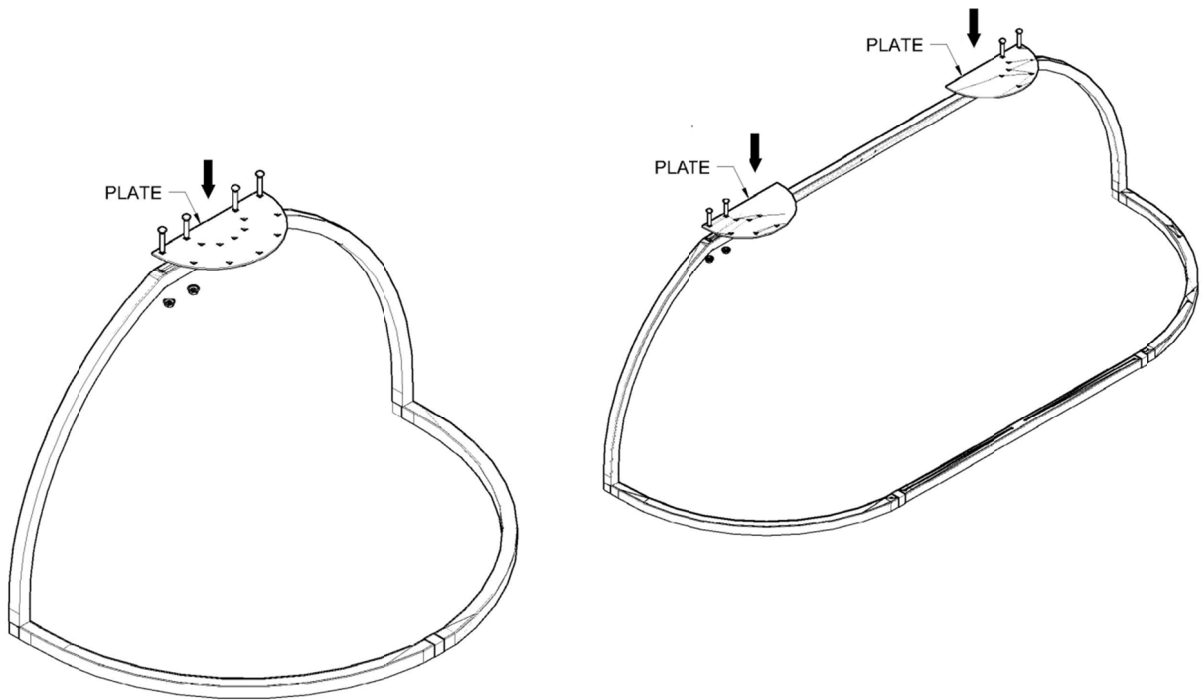
**Step 2:** Connect R1 and R07/R8, and Connect LPR and RPR with Velcro facing outward. You may need a rubber mallet to set the tubing into the fittings. Secure with Self tapping screws.



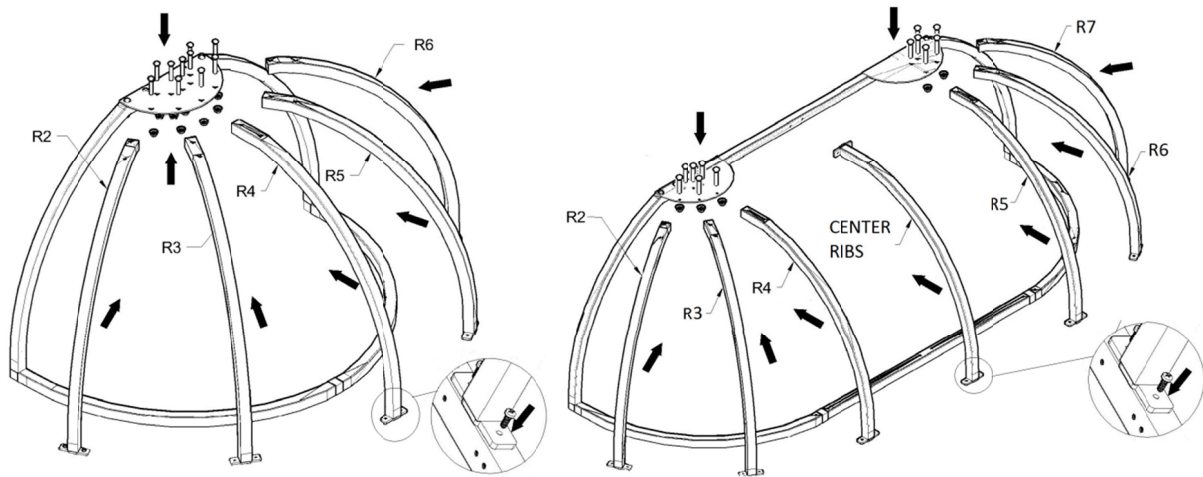
**Step 3:** Connect Both R1, R7/R8 to RPR, and LPR with Velcro facing outward.



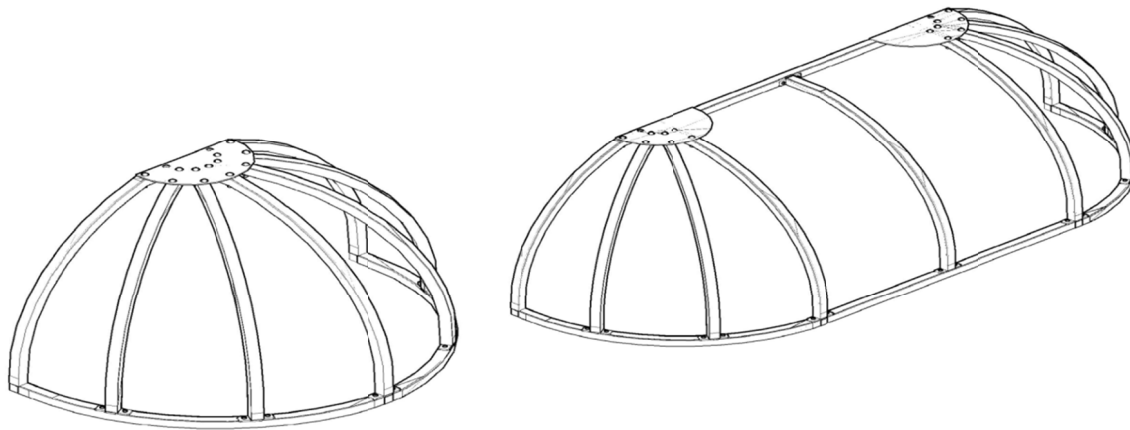
**Step 4:** Connect the Plate to the top of the structure, secure it with provided Bolts and Nuts. Requires 7/16" wrench.



**Step 5:** Attach R2, R3, R4, R5, R6, and R7 to top plate. Use self tapping screws to secure the ribs to LPR and RPR. Note: For Larger Awning, connect center rib to TB and FB. You will also need to attach wall supports (WS) to the center of the FB (not shown)

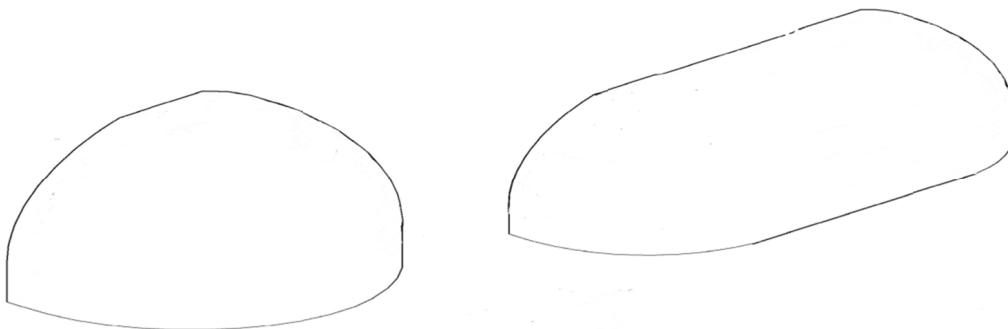


The frame for the Chicago is complete

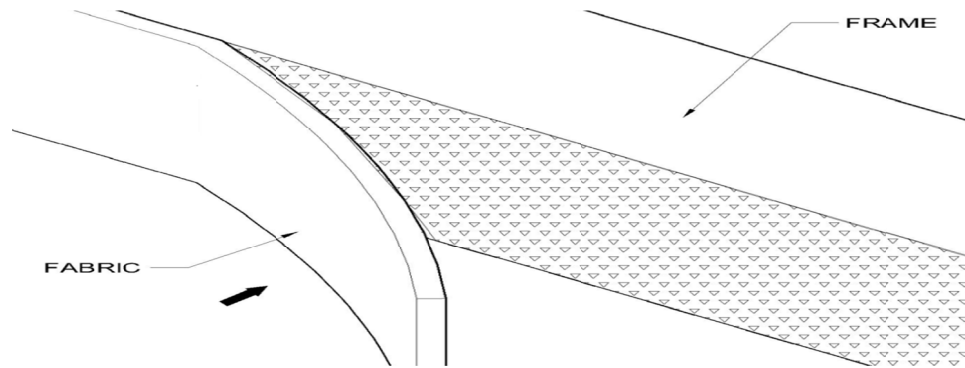


## **INSTALLING THE COVER**

**STEP 6:** Fit the fabric over the frame with the valance hanging down below the Curved bars.



**STEP 7:** Once you are satisfied with the position of the cover, Pull the tabs snugly and attach them to the pre-installed Velcro tape on the bars.



## **MOUNTING THE AWNING**

**STEP 8:** Place the awning on in desired location. From the inside of the awning make a mark on the wall where the awning touches. (See the chart below for the height measurements)

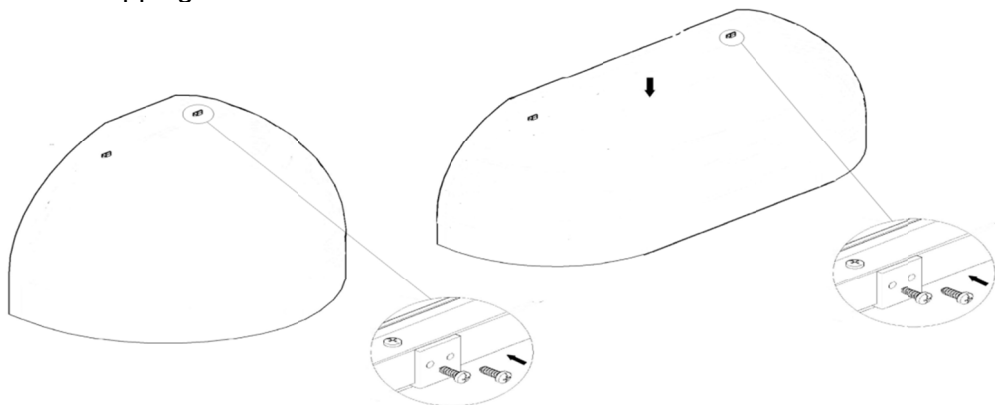
\*\*\*all the sizes are in inches

Model	Height	Valance	Projection
RC22	24	7	24
CC33	36	8	36
CC44	48	8	48

Step 9: install the Z-Brackets, temporarily place the awning on the wall to make sure it fits prior to tightening screws. There will be no pre-drilled holes for the Z-Bracket so you have the ability to put them where they are needed.

Step 10: Remove the awning and tighten wall brackets.

Step 11: Install weather Stripping on the awning outside parameter. Place the awning back on the brackets. Drill two holes for self-tapping screws thru the (TP) use Z-Brackets for guide. Secure with self-tapping screws.



## **CLEANING & CARE**

### **NORMAL WEAR & TEAR:**

Certain regions of the country are extremely hard on awnings of any kind. If you live in these areas, (High maintenance areas: FL, TX, NM, AZ, NV or high altitude areas) you probably already know how the sun can take a toll. Normal wear and tear is not covered in our warranty and should be expected. Damages caused by improper anchoring, strong winds, snow or ice are not considered defects. We offer replacement fabric at affordable prices.

### **CLEANING & CARE:**

Awnings should be cleaned at least once a year in low maintenance areas or twice a year in high maintenance areas (see high maintenance areas above). Cleaning consists of brushing off debris with broom, brushing on a non-detergent cleaning compound (such as a solution of equal parts vinegar and water) letting it sit for 20 minutes and rinse. Remember that your awning is an exterior product; you'll need to clean your awning to preserve and extend its beauty and life. Please refer to the cleaning and care chart below if you acquire a stain from one of the ingredients on the list.

### **CLEANING CHART FOR TYPICAL AWNING STAINS**

STAIN	RECOMMENDED CLEANING SOLUTIONS
CHARCOAL	Vacuum, then liquid detergent
CHEWING GUM, CAR GREASE & OIL	Acetone
SODA	Liquid detergent
IRON RUST	Oxalic or citrus acids, water
MILDEW	1 cup of bleach and ¼ mild soap per gallon of water
PAINT (LATEX) WET	Liquid detergent, water
PAINT (LATEX) DRIED , OIL or LACQUER	Paint, oil or grease remover
SUNTAN LOTION	Pine Power® or pine oil detergent
TREE SAP	Turpentine, liquid detergent