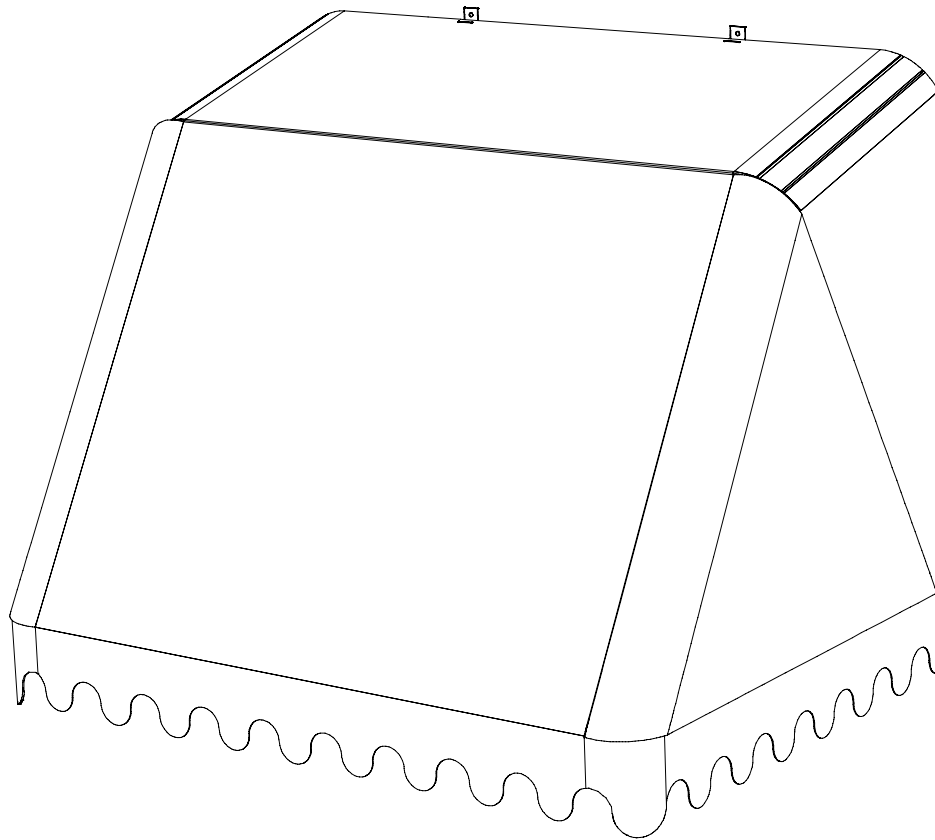


COLUMBIA ROLL-UP AWNING INSTALLATION INSTRUCTIONS



Recommended Tools:

Phillips Screw Driver
Tape Measure
Carpenters Level

(If Awning is being Attached to Brick or Masonry a Drill,
Masonry Bit, and Masonry Anchors are Required)

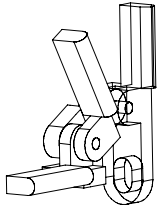
Not Included

For Ease of Assembly and Installation

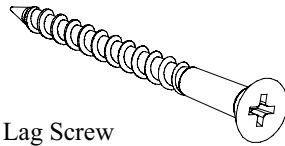
- Familiarize yourself with component parts

AWNING PARTS LIST

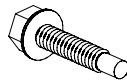
NOTE: The number of parts needed for installation will vary on the size of the awning.



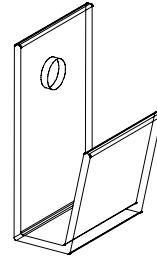
1. Hinge (RH End Shown)



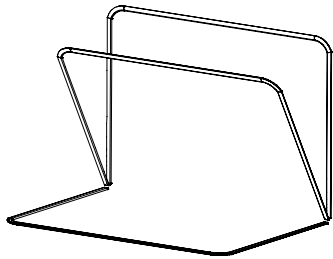
2. 2" Lag Screw



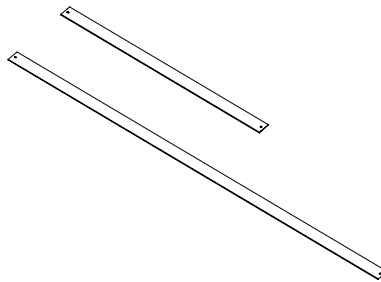
3. #8 x 3/4" Tek Screw



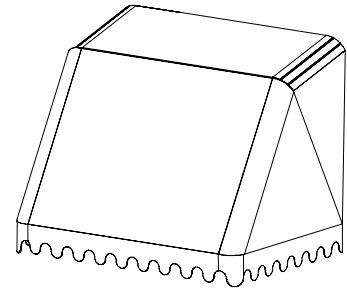
4. Mounting Bracket



5. Ribs



6. Brace



7. Fabric Cover

STEP 1.

Attach mounting brackets above opening, making sure they are level and at least 2" up. This can be achieved by using a chalk line or measuring up from the top of the opening. Do Not place bracket in center as there will be a center brace on the awning (see Fig. 1-1).

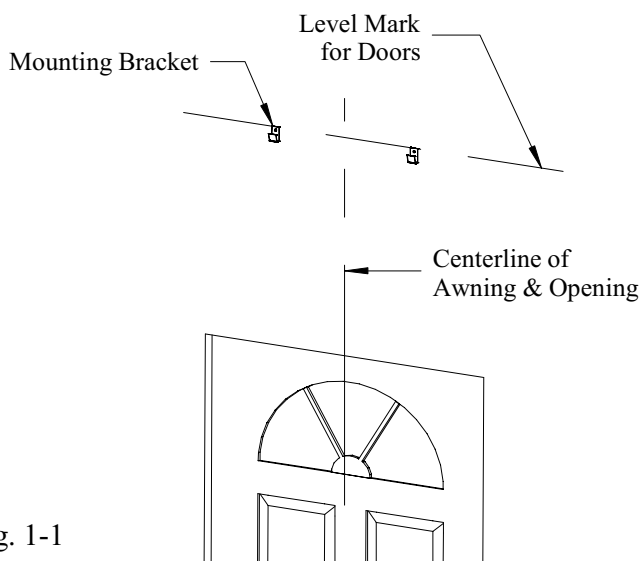


Fig. 1-1

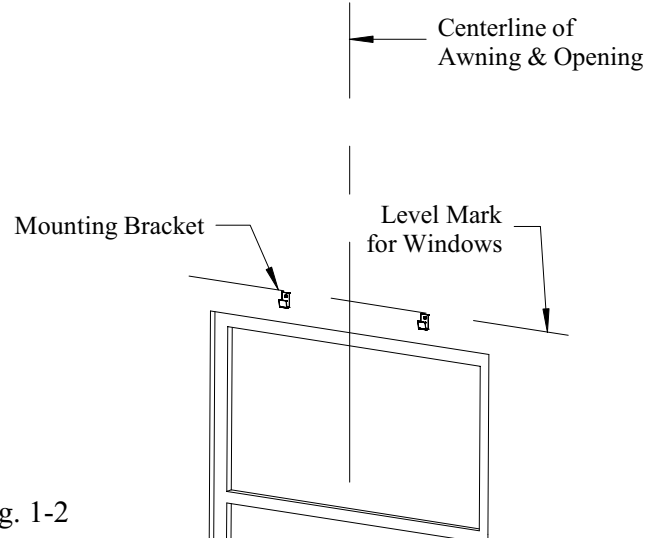
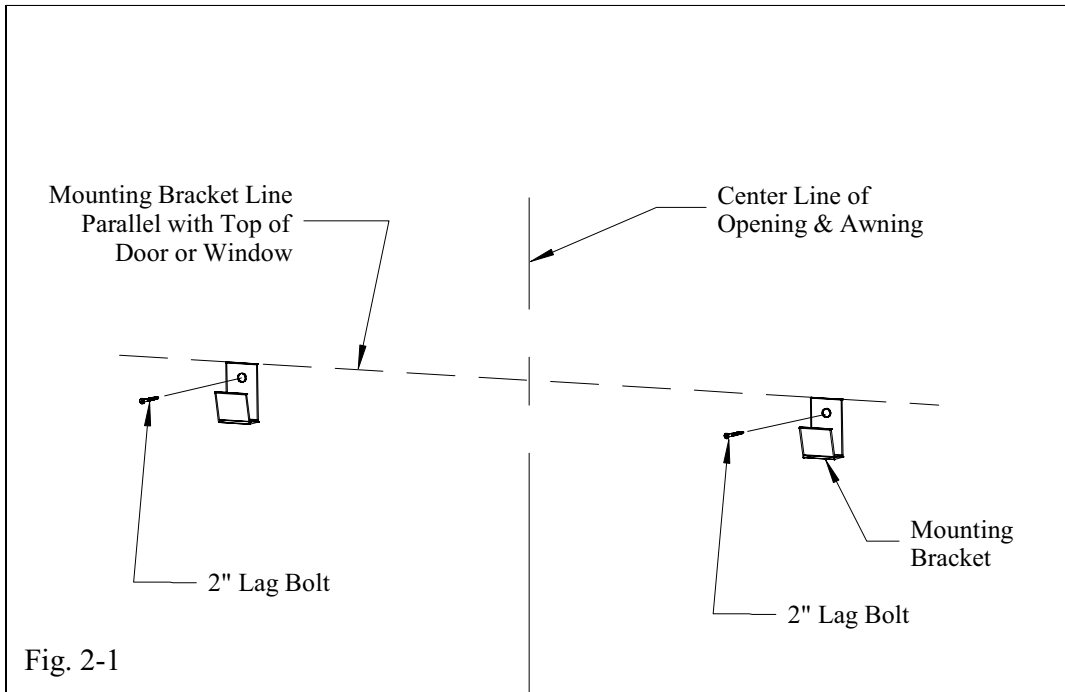


Fig. 1-2

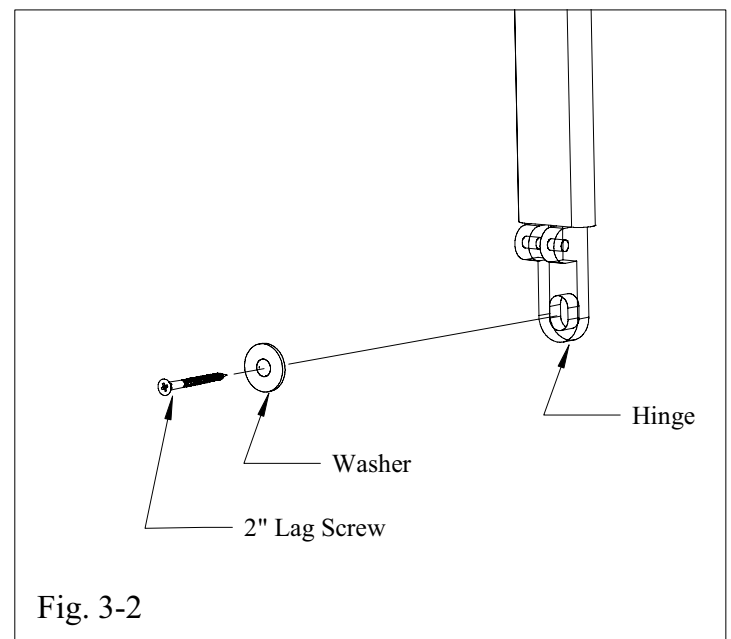
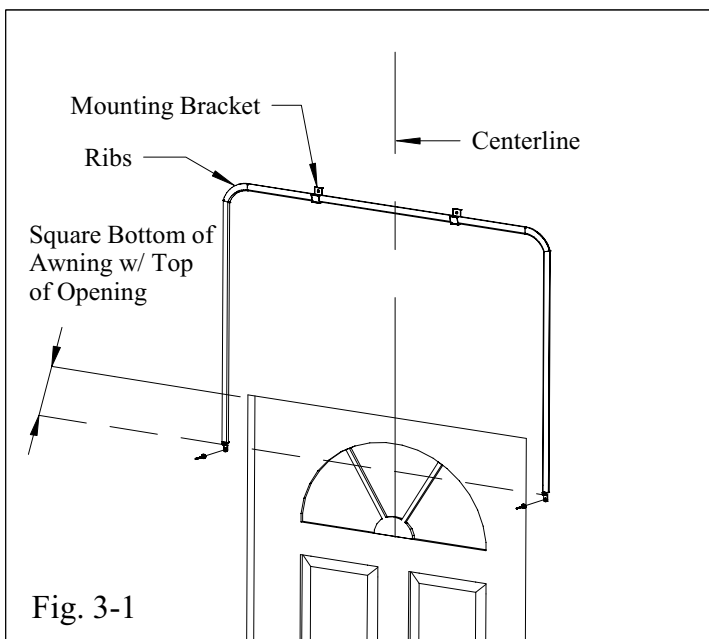
STEP 2.

Once marked remove awning and attach mounting brackets to wall (see Fig 2-1). Attach with the 2" lag screws provided. If mounting on brick or stone, use masonry anchors (not included).



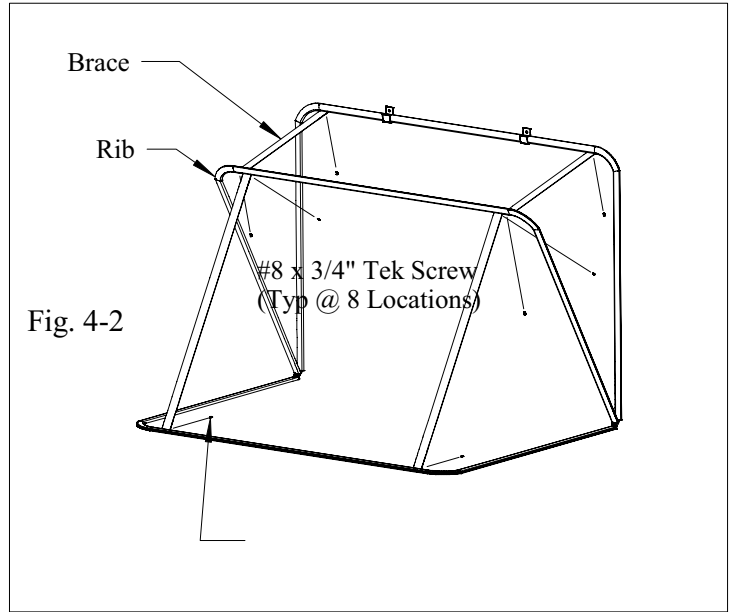
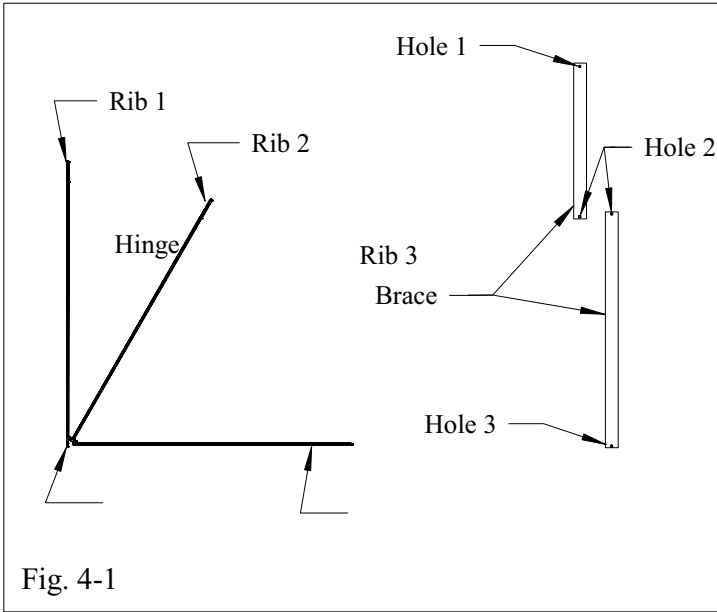
STEP 3.

Center awning over window or door and attach at bottom hinge holes. Note: The awning must be folded up to reach the hinge holes.



STEP 4.

Once the awning is secured it is ready to be braced if desired. Braces are numbered to match the rib they attach to. Attach the 1,2 brace to the first and second rib and the 2,3 brace directly beside it on the second and third rib.



INSTALLATION COMPLETED

