



## The Dallas Retro® Style Awning OWNER'S MANUAL & INSTALLATION INSTRUCTIONS

**Important Installation Information:**

**The Dallas Retro® frame must be installed on the wall as there is no connecting part between Projection Bar (BP) and Top Bar (TB). Please read instructions fully before installing.**

- ⚠ **WARNING:** Adult Assembly Required
- ⚠ **WARNING:** Assembly Kit Contains Parts With Sharp Points, Sharp Edges, and Small Parts That Can Present Choking Hazards to Children.
- ⚠ **WARNING:** Components Are Packed In Plastic Bags that are a Suffocation Hazard.

**NOTE:** Please inspect the parts for damage during shipping and/or for any missing items. If you suspect that there may be damage or a shortage, contact us and we will send replacement parts if needed. At this time, visualize how the components fit together and make sure that you have identified the various parts.

**Models with Valance:**

RR12, RR22, ER23, CR32, CR34, CR43, CR44, ER2442, ER1836, ER1030, ER12, ER24, CR33

Awning size	Width in inches	Awning Size	Width to Inches
3	40.5	12	148.5
4	52.5	13	160.5
5	64.5	14	172.5
6	76.5	15	184.5
7	88.5	16	196.5
8	100.5	17	208.5
9	112.5	18	220.5
10	124.5	19	232.5
11	136.5	20	244.5

*OUR AWNINGS ARE DESIGNED 4.5" WIDER THAN STANDARD WINDOW/DOOR OPENINGS SO THEY ANCHOR TO THE STUDS AROUND THE WINDOW OR DOOR. EXAMPLE: RR22-5 IS FOR 5'-0" WIDE WINDOW. IT MEASURES 64.5" WIDE, 31" TALL, (24" PLUS 7" VALANCE AND 24" DEEP (PROJECTION))*

There is a variety of building wall surfaces; we do not supply the hardware to install your awning. You will need to purchase installation hardware at your local hardware store. We have advised you on different surface applications below:

**CONCRETE BLOCK WALLS:** 3/8" x 3" Masonry anchor bolts or Tapcon Screws plus Washers (1 per bracket)

**WOOD OR SIDING:** 3/8" x 3" Lag Screws plus Washers (1 per bracket)

**OTHER STRUCTURES:** CONSULT A PROFESSIONAL

**PARTS:**

Awning Size in Ft.	3-4	5	6-7	8-10	11-12	13-18	Custom
<b>(TB) Top Bar – C Channel</b>	1	1	2	2	3	3	
<b>(FB) Front Bar</b>	1	1	2	2	3	3	
<b>(NC) Hypotenuse/Cover Support</b>	2	3	3	5	4	7	
<b>(BP) Black Projection Bar</b>	2	3	3	5	4	7	

Other parts: Z-Brackets, self-tapping screws

All awning sizes over 6' wide come in multiple sections. Example: 6' size Top Bar (TB) consists of TB1 & TB2 and Front Bar (FB) consist of FB1 & FB2

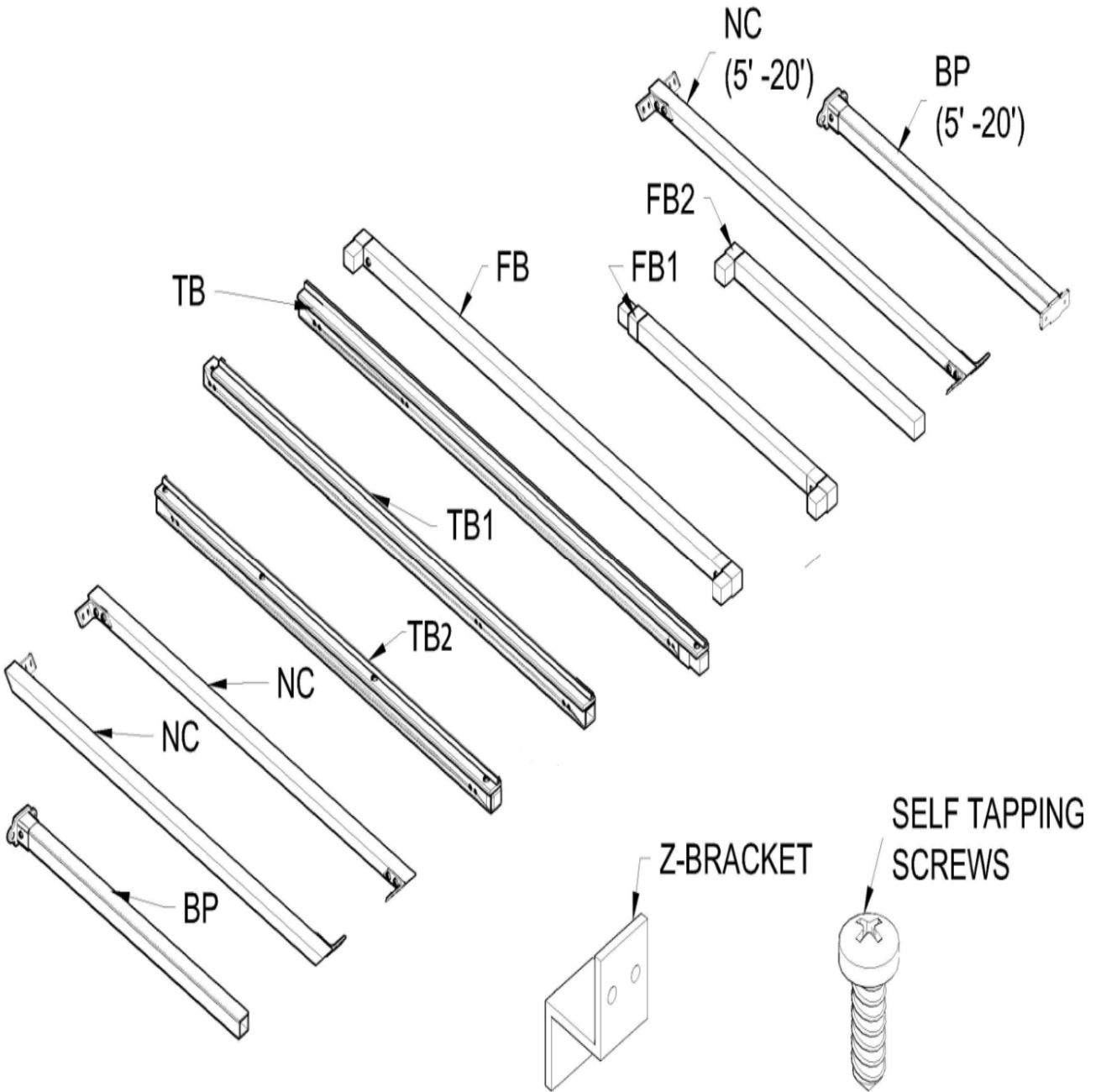
**Tools Required:** Electric Impact Drill, Installation Anchors (as per your wall type), Tape Measure, Safety Glasses, 4' Level, a Safe Ladder and #2 pencils.

YOU MAY ALSO NEED AN ASSISTANT FOR LARGER AWNINGS. IT DEPENDS ON THE SIZE AND WEIGHT OF THE AWNING.

NOTE: YOU WILL FIND THAT THE FITTINGS HAVE BEEN PRE-INSTALLED, AS WE HAVE PRE-ASSEMBLED AND INSPECTED IT FOR YOU IN THE FACTORY.

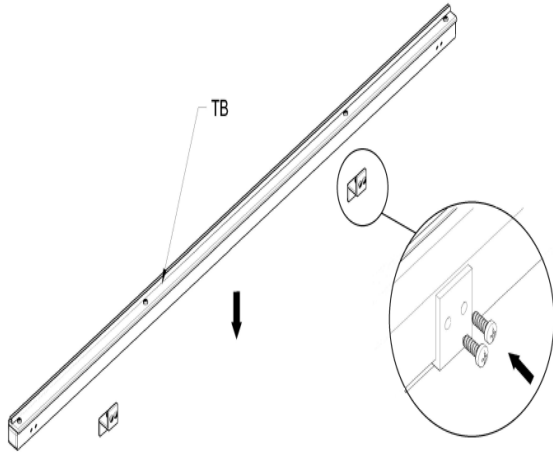
**The Dallas Retro® frame must be installed on the wall as there is no connecting part between Projection Bar (BP) and Top Bar (TB)**

**STEP 1:** Separate all of the parts, so they will be easy to assemble. Please refer to parts chart for quantities based on the width of your awning

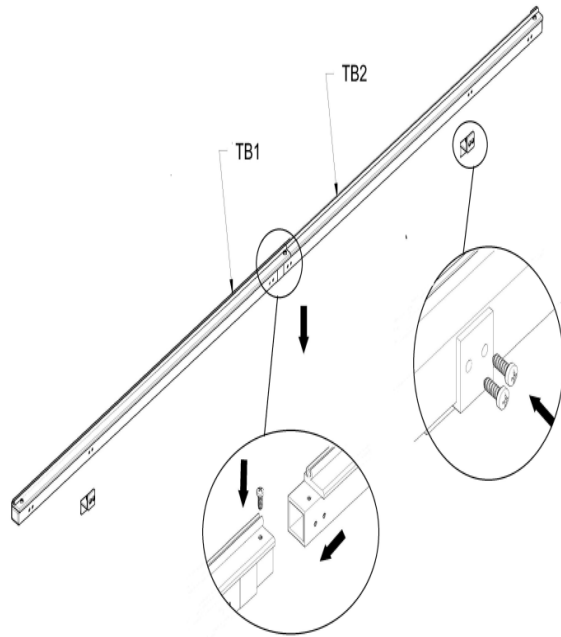


**STEP 2:** The Top Bar (TB) must be installed first. Mount Provided Z-Brackets to surface, and insert TB into brackets. The C-Channel must be close to the wall. Before installing the TB you must make sure that there is enough space below to install BP. This would be overall height of the frame. Please keep in mind that there will be no pre-drilled holes for the Z-Bracket and you'll need to use the self tapping screws to secure it to the (TB) when you're ready. (Please see the chart below for the height measurements)

Frame 2'-5'

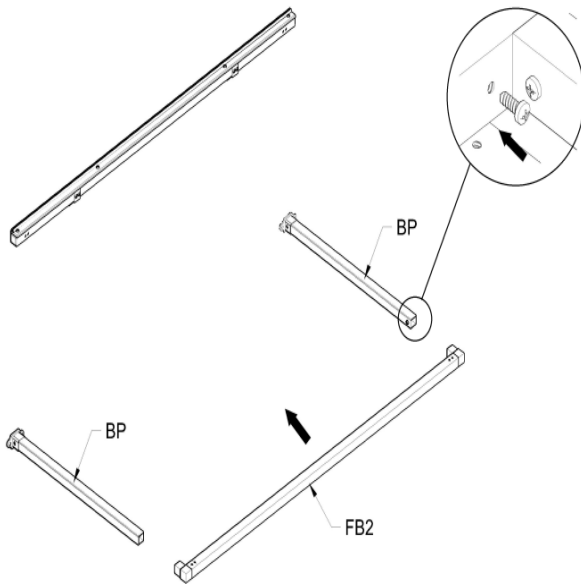


Frame 6'-20'

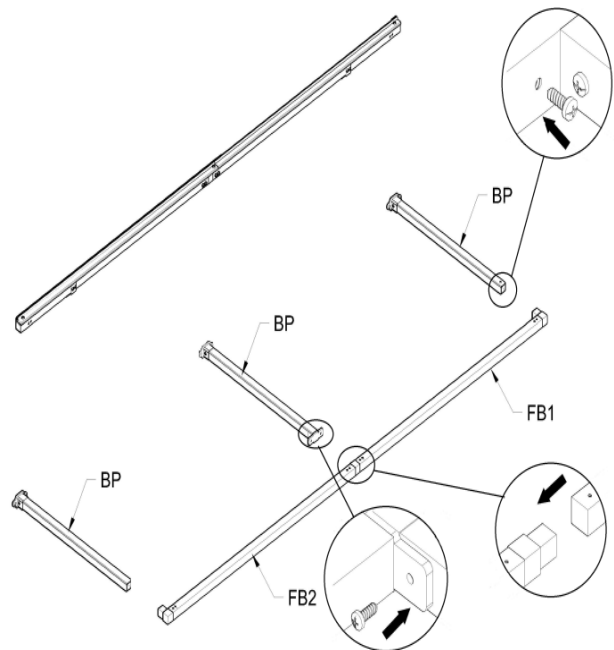


**STEP 3:** Insert the L shaped plastic ends of the Front Bar (FB) in to Left and Right Black Projection Bar (BP) and then secure them with self-tapping screws. The Velcro on the front bar, (FB) faces towards you. *\*Note: On earlier models, the Velcro will be on top of the front bar (FB), Pay close attention to the black angle ends.*

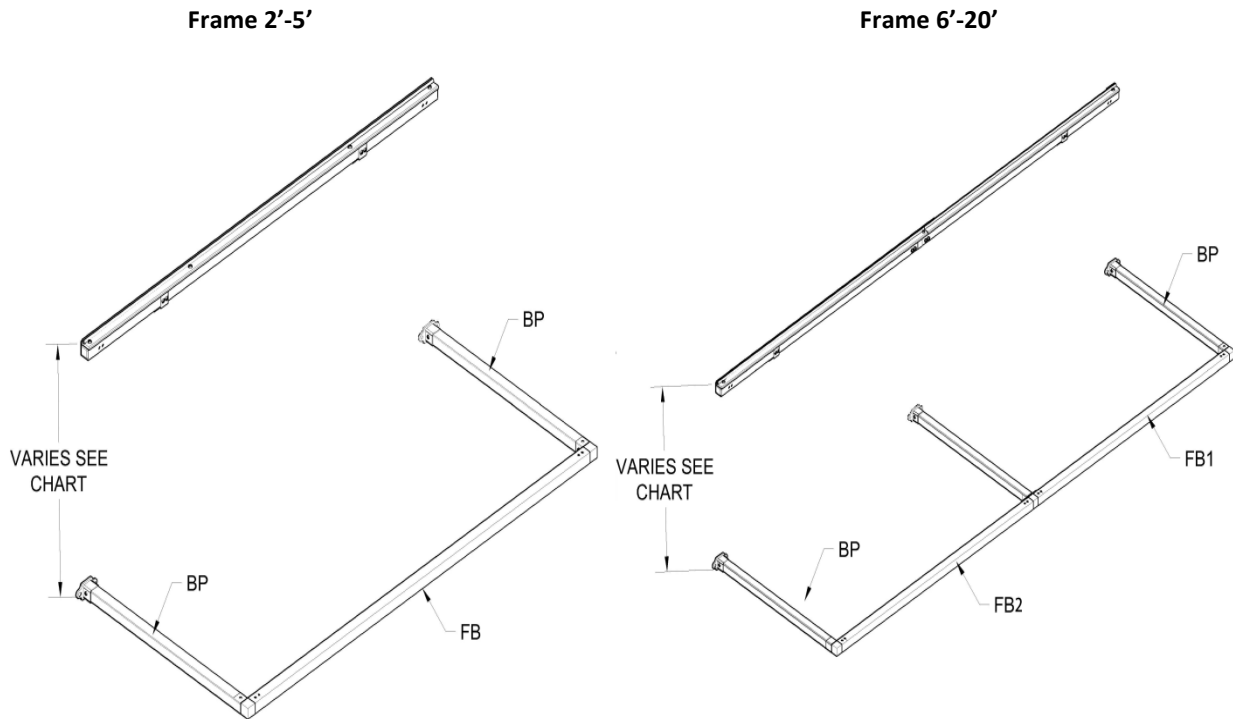
Frame 2'-5'



Frame 6'-20'



**STEP 4:** Install the BP & FB structure to the mounting surface. The space between the top of the (TB) and the bottom of the (BP) is indicated on sheet 6 (Frame Height). Please keep in mind BP with a plastic flange at the end will not have pre-drilled holes. You'll use self tapping screws to secure them to the back end of your front bar where space is available.

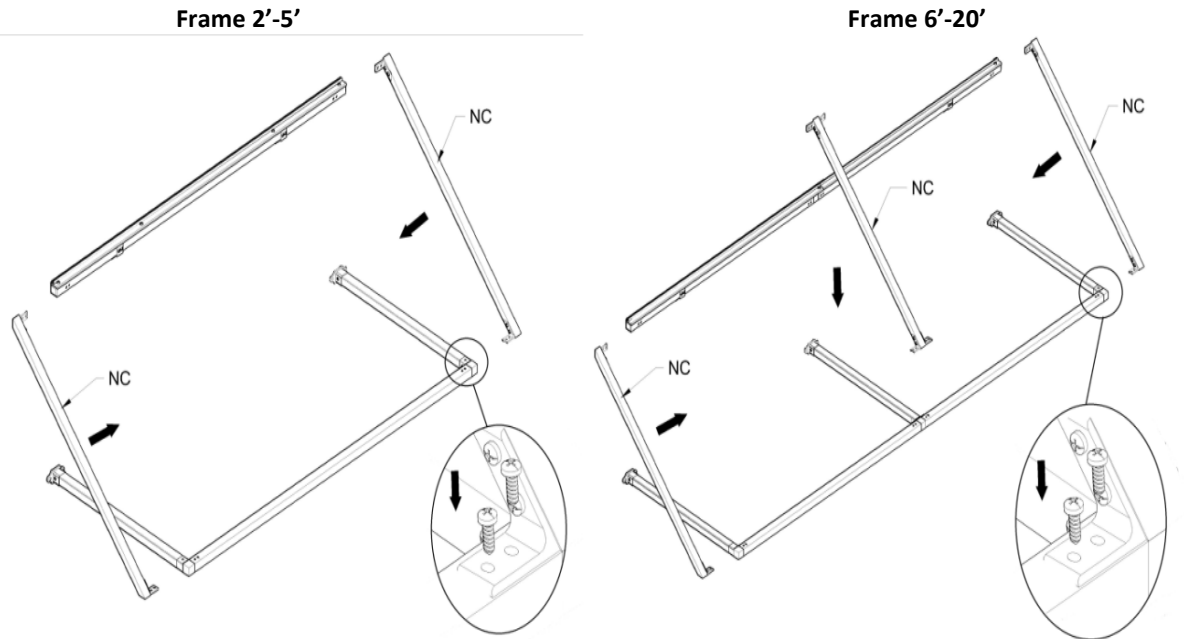


\*\*\*all the sizes are in inches (The Valance will increase overall height of the awning)  
 Example: Model RR22 below. Frame height 24", Valance height 7", Total height including the Valance is 31"

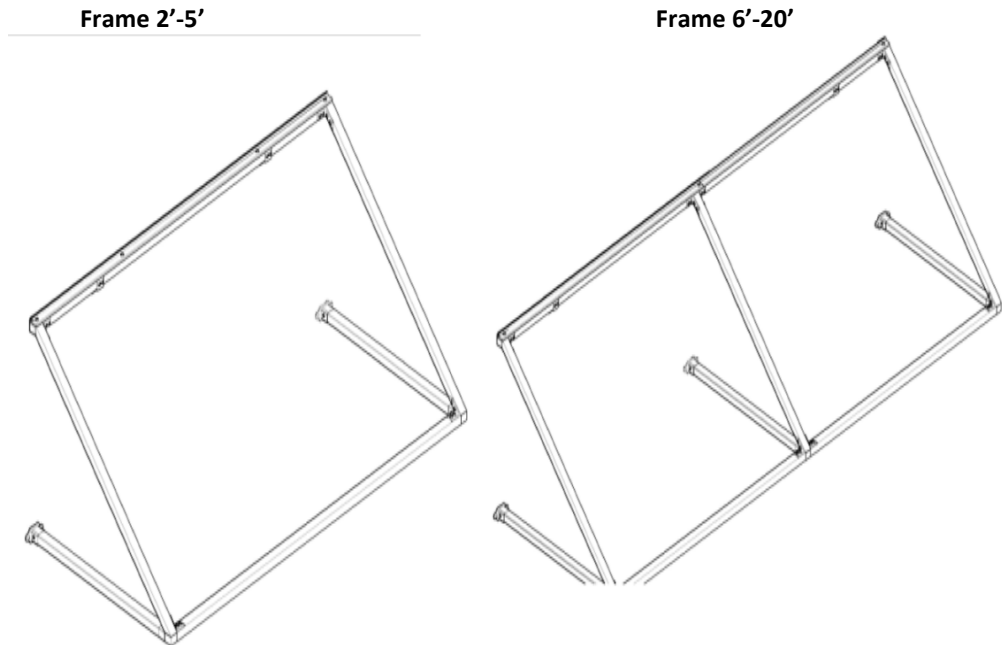
Model	Frame Height	Valance	Projection
RR22	24	7	24
CR32	36	8	24
CR33	36	8	36
CR34	36	8	48
CR43	48	8	36
CR44	48	8	48
ER2442	18	6	42
ER12	12	6	24
ER1836	12	6	36
ER1030	10	6	30
ER23	18	6	36
ER24	18	6	48
RR12	12	6	24

**STEP 5:** Install the NC (left and right) with arrow facing upwards. Secure those with self-tapping screws, the holes on the (FB) and (TB) are pre-drilled. Make sure that the Velcro on NCs is facing inwards.

Note: If the awning is larger than 4' (52.5") wide then you must install additional (NCs) and (BPs) to complete the frame assembly and installation.



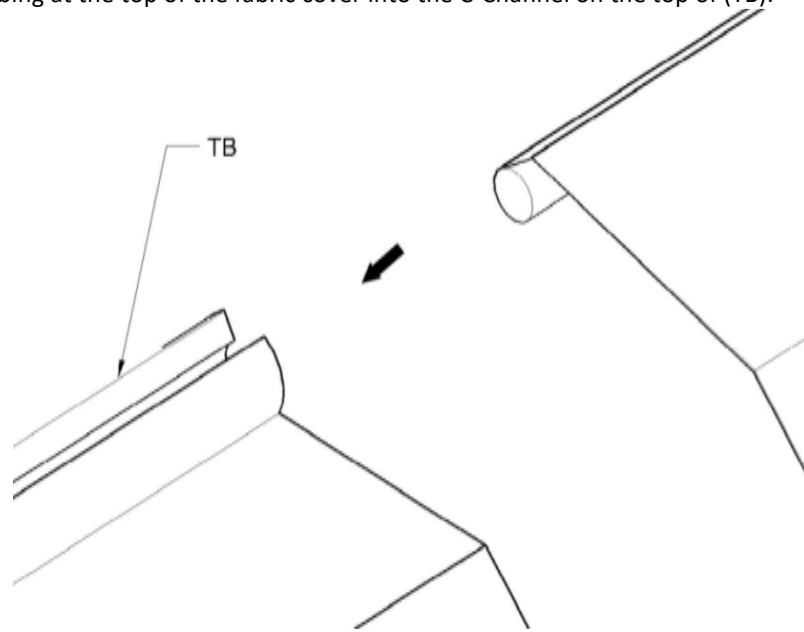
The Frame for The Dallas Retro® is complete.



Please refer to the page 2 for parts list.

**INSTALLING THE COVER**

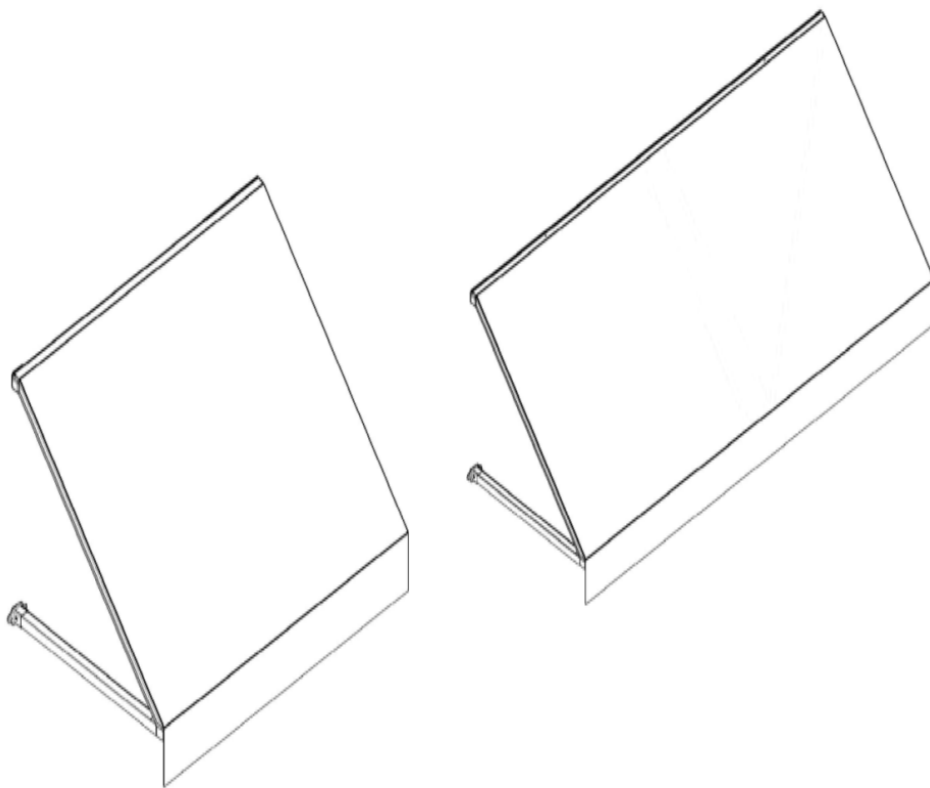
**STEP 6:** Slide the tubing at the top of the fabric cover into the C-Channel on the top of (TB).



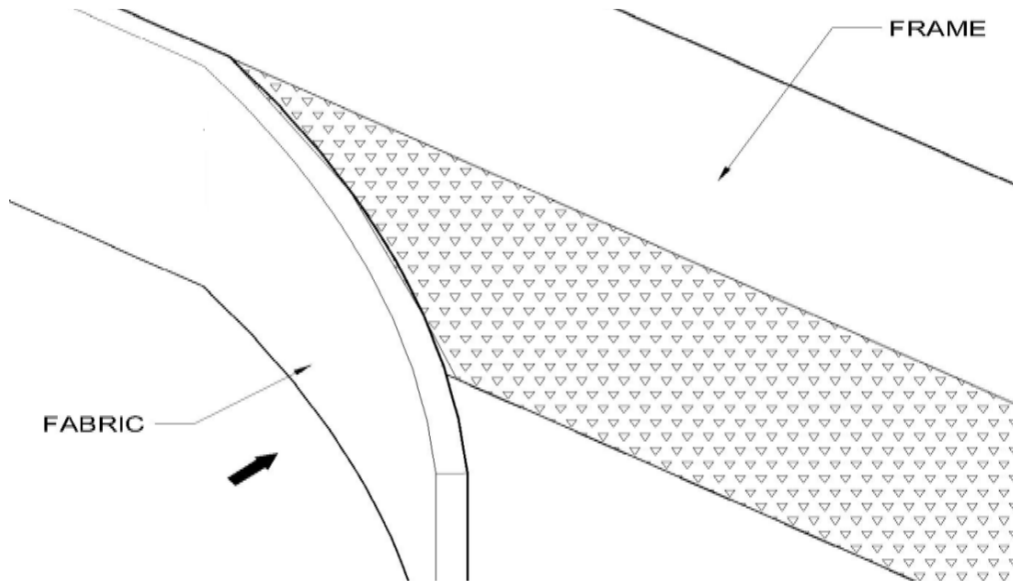
**STEP 7:** Pull the remainder of fabric over the frame with the valance hanging down below the (NC) and (FB) bars.

**Frame 2'-4'**

**Frame 5'-7'**



**STEP 8:** Once you are satisfied with the position of the cover, Pull the tabs snugly and attach them to the pre-installed Velcro tape on the bars.



**NORMAL WEAR & TEAR:**

The weather in certain regions of the country contributes to wear and tear of the awnings. If you live in these areas (High maintenance areas: FL, TX, NM, AZ, NV or high-altitude areas) weather conditions (including sun) can take a toll. Normal wear and tear is not covered in our warranty and should be expected. Damages caused by improper anchoring, strong winds, snow or ice are not considered defects. We offer replacement fabric at affordable prices

**CLEANING & CARE:**

Awnings should be cleaned at least once a year in low maintenance areas or twice a year in high maintenance areas (see high maintenance areas above). Cleaning consists of brushing off debris with broom, brushing on a non-detergent cleaning compound (such as a solution of 1-part vinegar to 1-part water), allowing the awnings to sit for 20 minutes, and then rinsing. Remember that your awning is an exterior product; You'll need to clean your awning to preserve and extend its beauty and life. Please refer to the cleaning and care chart below if you acquire a stain from one of the ingredients on the list.

**CLEANING CHART FOR TYPICAL AWNING STAINS**

STAIN	RECOMMENDED CLEANING SOLUTIONS
CHARCOAL	Vacuum, then liquid detergent
CHEWING GUM	Acetone
SODA	Liquid detergent
CAR GREASE	Acetone
IRON RUST	Oxalic or citrus acids, water
MILDEW	1 cup of bleach and ¼ mild soap per gallon of water
OIL	Acetone
PAINT (LATEX) WET	Liquid detergent, water
PAINT (LATEX) DRIED	Paint, oil or grease remover
PAINT (OIL OR LACQUER)	Paint, oil or grease remover
SUNTAN LOTION	Pine Power® or pine oil detergent
TREE SAP	Turpentine, liquid detergent