

Before You Begin:

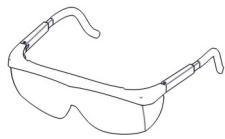
- **Consult your local building department for any required permits**
You may be required to obtain a building permit for this structure. Contact your local building department for details.
- **Read instructions thoroughly**
Please read all instructions and notes carefully prior to assembly. Our company is not responsible for replacing parts lost or damaged due to incorrect assembly.
- **Check for all parts**
Use the Parts and Hardware List to check for any missing parts. To prevent scratching of painted materials, place on a tarp or other protective material.
- **Prepare surrounding area**
Remove any obstructions around shelter location. Shelter installation should be scheduled after all concrete and masonry work in the surrounding area is completed.
- **Assistance is required during entire assembly.**



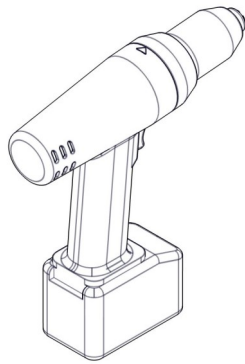
CAUTION

- Proper site preparation is required.
- Standard shade structure design does not include additional loads such as hanging heavy plants, swings, or other objects.
- DO NOT stand or sit on the shade structure roof.
- Repair or replace broken parts immediately.
- This kit contains parts with metal edges. Please be careful when handling.

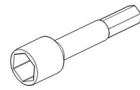
Tools Needed for Installation



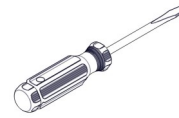
Safety Glasses



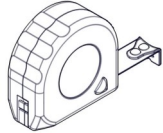
Electric Drill



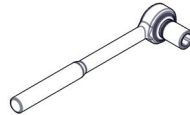
Socket / Hex Head Driver
Sizes: 1/4", 5/16", 3/4",
1", 1-1/16"



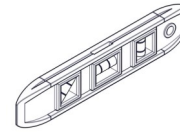
Screw Driver
Flat & Phillips



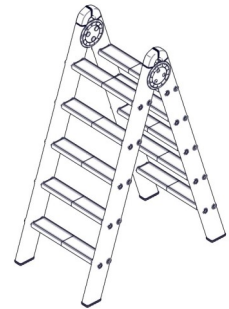
Tape Measure



Socket / Ratchet Wrench
Sizes: 1/4", 5/16", 3/4",
1", 1-1/16"



Carpenters Level



Ladder

Other Required Tools: Gloves, Chalk Line, Silicone Caulking

Recommended Tools: Rubber Mallet, Carpenters Square, Pliers, Metal Hack Saw

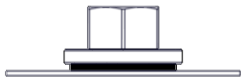
NOTE: Heavier equipment such as a forklift, boom lift, or lift table may also be required.

Installation Notes and Tips

- Complete site preparation before beginning assembly.
- It is **VERY IMPORTANT** that the current footing layout is obtained from the manufacturer before pouring any footings or setting any anchor bolts.
- Anchor bolts are **NOT** included and must be furnished at the time of installation. Consult local building codes and the provided manufacturer's drawing for required anchor specifications.
 - We recommend using high quality stainless steel anchor bolts in areas with a corrosive climate.
- If the shelter is set on a concrete slab, the slab must be level so that all posts will be at the same elevation when mounted and anchored down.
 - If the shelter is set on an unlevel surface, it will bolt together if assembled with all bolts loose. When the bolts are tightened, some of the steel joints may have gaps and the unit may not be exactly plumb. However, the strength of the structure will not be affected.
- In areas with frequent rain, the slab or footing elevation should be at least 1" above the elevation of the surrounding landscape to prevent water from ponding around the base plate and anchor bolts.
- **DO NOT** attempt to assemble on a day with strong winds.
- Have assistance nearby to lift and secure parts in place.
- As is common in the erection of all types of metal structures, due to job site conditions (uneven slabs, footings, etc.), slight modifications such as reaming of some holes or drilling new holes may become necessary and must be done on the job site.
- Predrilling holes and removing metal shavings and debris from between components before fastening together will help prevent rusting or staining of the surrounding surfaces.
- Cutting and drilling metal components will cause shavings which must be carefully removed by sweeping or brushing. If this is not done, the metal shavings will rust and stain the surface finish.
- It is recommended to lower the speed of electric drills during this installation. Installing Tek screws at a high RPM may cause the Tek screws to become damaged or break during installation.

Installation Notes and Tips (continued)

- Avoid over-driving, under-driving, or driving at an angle to properly install fasteners. Over-driven fasteners can depress the material and allow water to collect around the fastener, which will corrode the surface finish. Under-driven fasteners can cause leaks and may back out over time.



✓ CORRECT



✗ TOO LOOSE



✗ TOO TIGHT

- The center-to-center spacing of the roof panel locks must be maintained as the panels are installed. If this is not done, problems may not show up until towards the end of the installation when parts may appear to be cut too short or too long. If this happens, check each roof panel spacing and re-set if necessary.
- We strongly recommend using a high grade sealant, such as our 100% silicone caulk and sealant. Caulking should be applied uniformly and without skips. A poor caulking job can cause leaks.

Care and Maintenance

Every 12 months your shade structure should be inspected and maintained by:

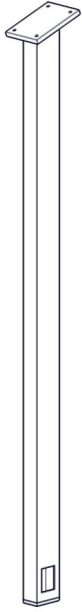
- Tightening loose nuts and bolts at all connections.
- Repairing damage to the finish to prevent corrosion.
- Replacing lost or damaged fasteners, brackets, and other parts.
- Replacing brittle or cracked sealer to prevent leaks.
- Removing obstructions and miscellaneous build-up from gutters, eaves, and downspouts.

Note: *These are basic installation guidelines for our standard load units and may not be suitable to your specific installation. It is important to follow all local and national building codes when installing any exterior improvement product.*

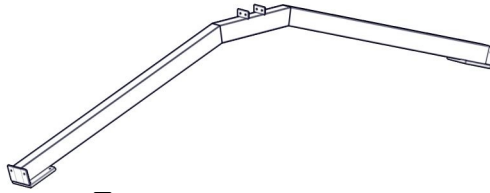
Refer to the provided manufacturer's drawing for details and special notes.

NOTE: Length and quantity of parts will vary based on the size of the shelter.

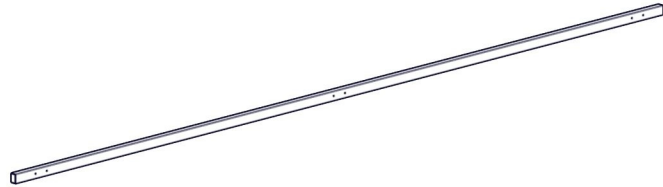
Parts List



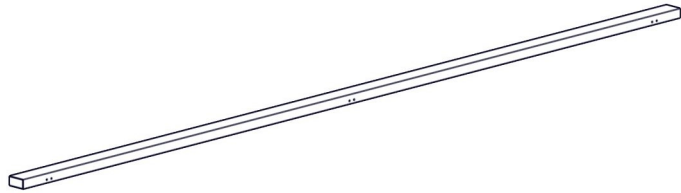
A Steel Post



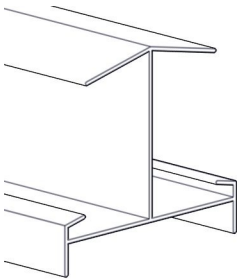
B Steel Rafter



C Steel Edge Beam



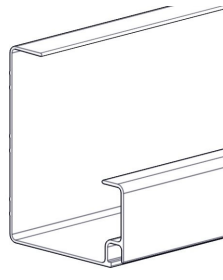
D Steel Ridge Beam



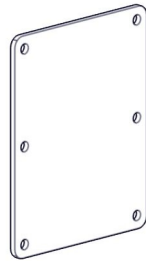
E Ridge Cap
Part Code: 11517



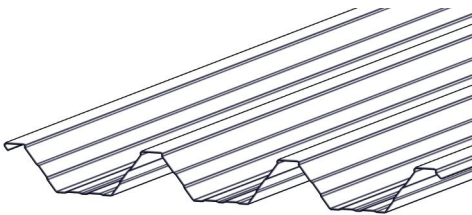
F Projection Fascia
Part Code: 11316



G Gutter
Part Code: 11120



I Cover Plate



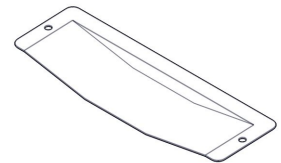
H Roof Panel W Style
Aluminum Part Code: 10307
Galvalume Part Code: 30106



J Corner Cap
Part Code: 60820



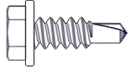
K Peak Cap
Part Code: 60055



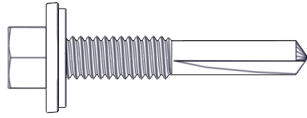
L Scupper
Part Code: 90241

Screws shown actual size.

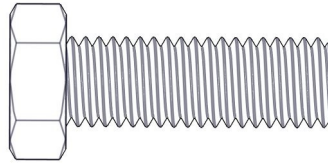
Hardware List



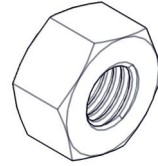
AA #8 x 1/2" Screw
Part Code: 20102



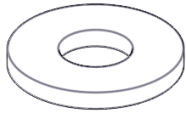
BB #12 x 1-1/4" Screw
Part Code: 20201



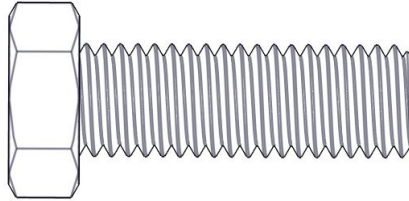
CC 1/2" Hex Bolt
Length Varies



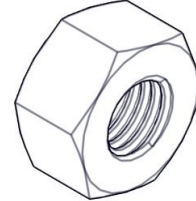
DD 1/2" Hex Nut
Part Code: 20530



EE 1/2" Washer
Part Code: 20910



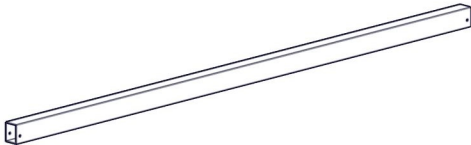
FF 5/8" Hex Bolt
Length Varies



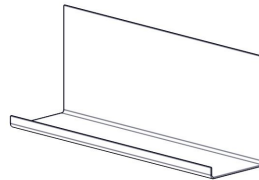
GG 5/8" Hex Nut
Part Code: 20531

NOTE: Bolt diameter and length determined by factors such as loading requirements, plate thicknesses, etc. Always check the provided manufacturer's drawing for bolt specifications required at each connection point.

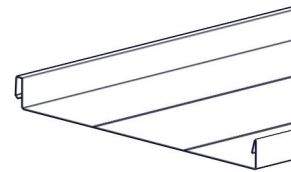
OPTIONAL Parts



M Steel Purlin



N Gutter Splice
Part Code: 60501



O 18" Wide Standing
Seam Panel
Part Code: 30120

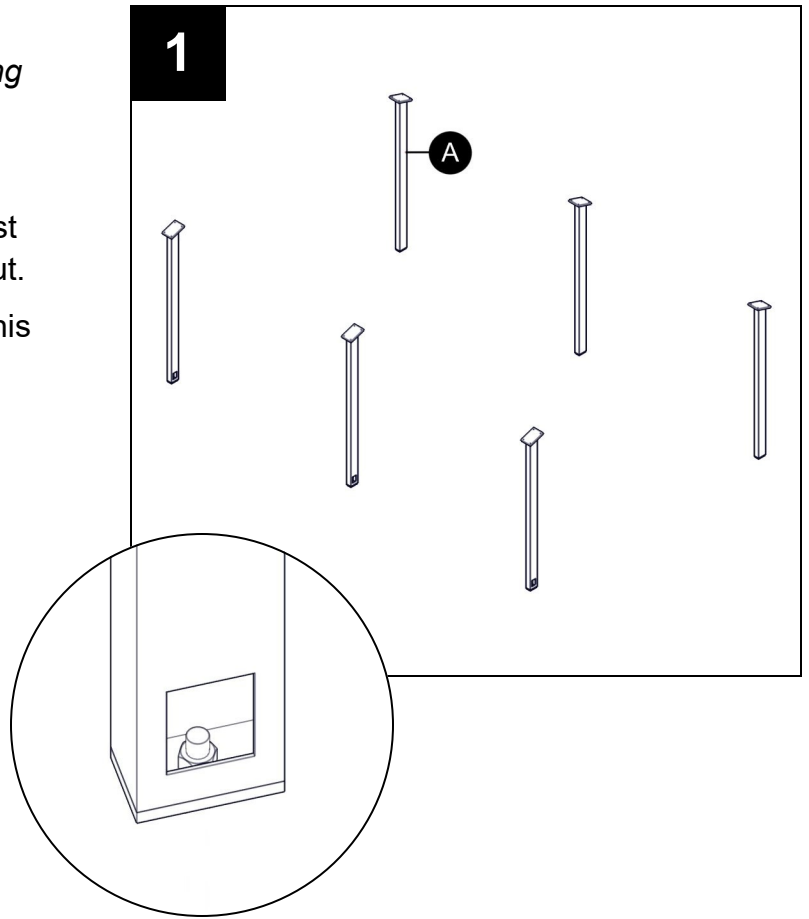
NOTE: All required concrete work must be completed and anchor bolts set prior to beginning this installation.

STEP 1

Set posts **(A)** over anchor bolts. Position the post and install base plate washer and anchor bolt nut.

DO NOT completely tighten bolts at this time. This will help when installing other components.

Repeat for all remaining posts **(A)**.



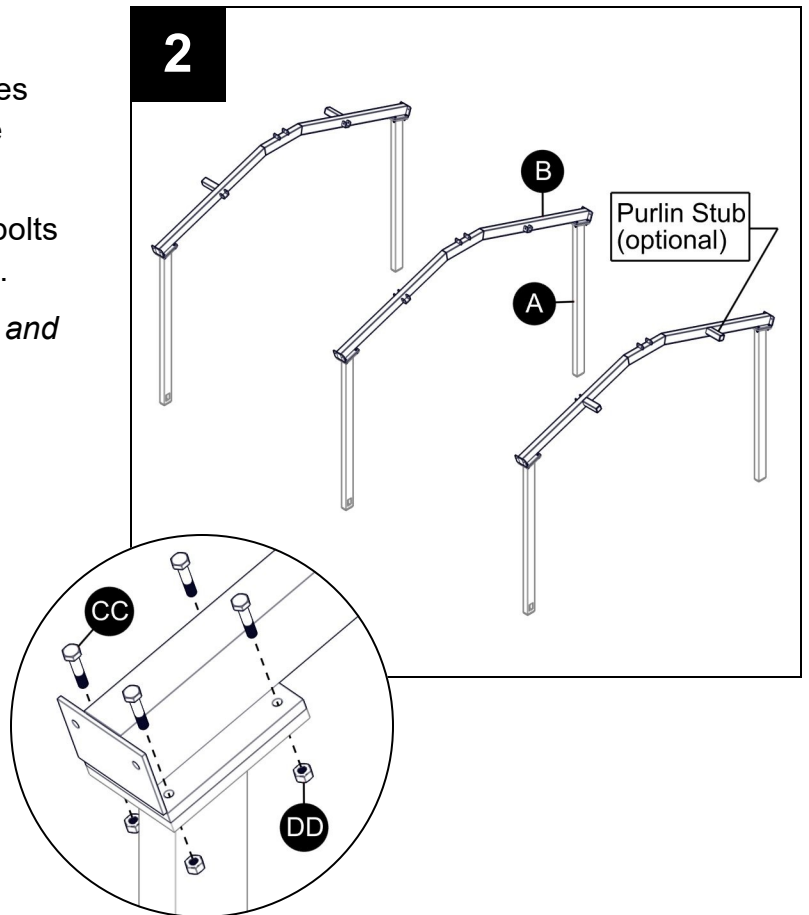
STEP 2

Position rafter **(B)** over posts **(A)**. If rafter includes purlin stubs, these must be on the outside of the shelter.

Attach rafter **(B)** to posts **(A)** using (4) 1/2" hex bolts **(CC)** and 1/2" hex nuts **(DD)** at each connection.

*NOTE: If noted on drawings, 5/8" hex bolts **(FF)** and 5/8" hex nuts **(GG)** may be required.*

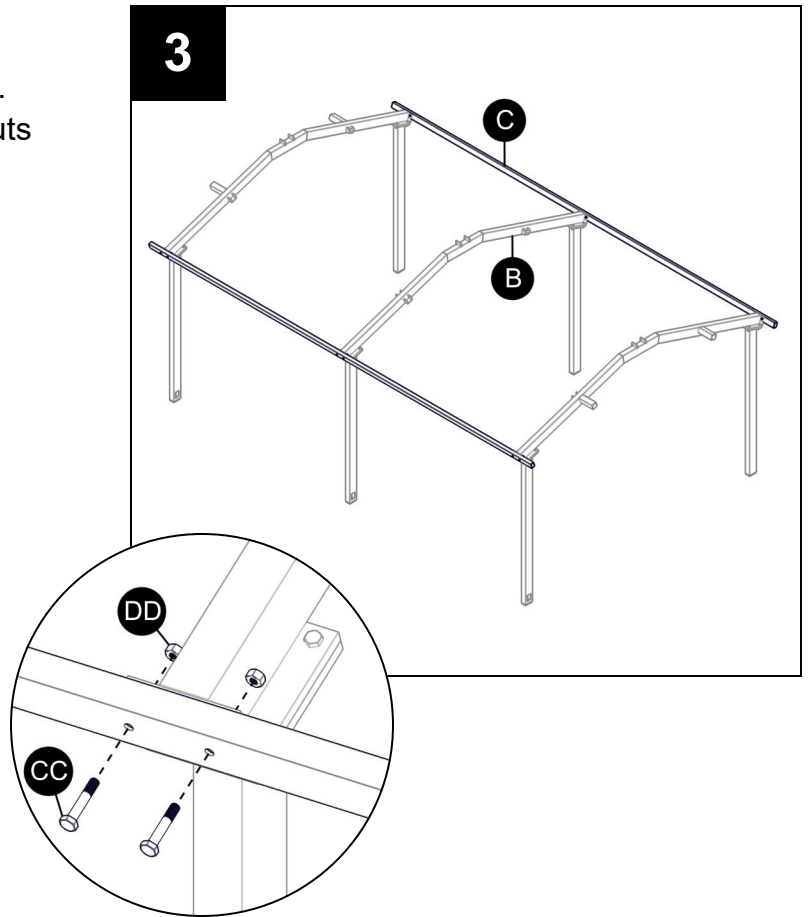
Repeat for all remaining rafters **(B)**.



STEP 3

Position edge beam **(C)** at the end of rafters **(B)**. Attach using 1/2" hex bolts **(CC)** and 1/2" hex nuts **(DD)**.

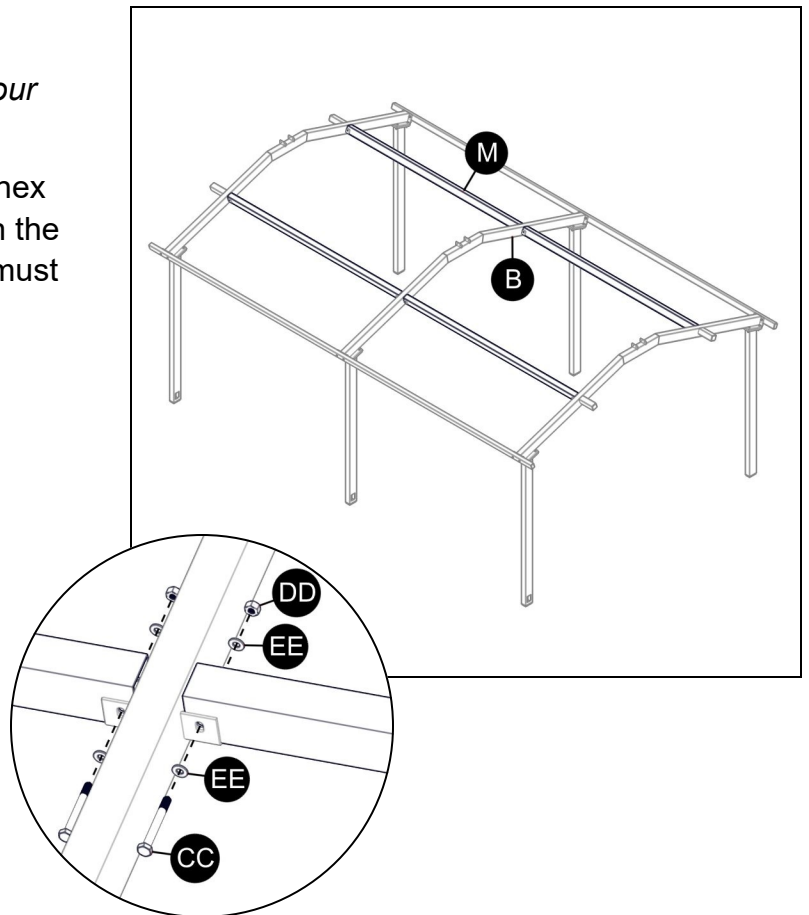
Repeat for remaining edge beam **(CC)**.



OPTIONAL - Upper Purlin Assembly

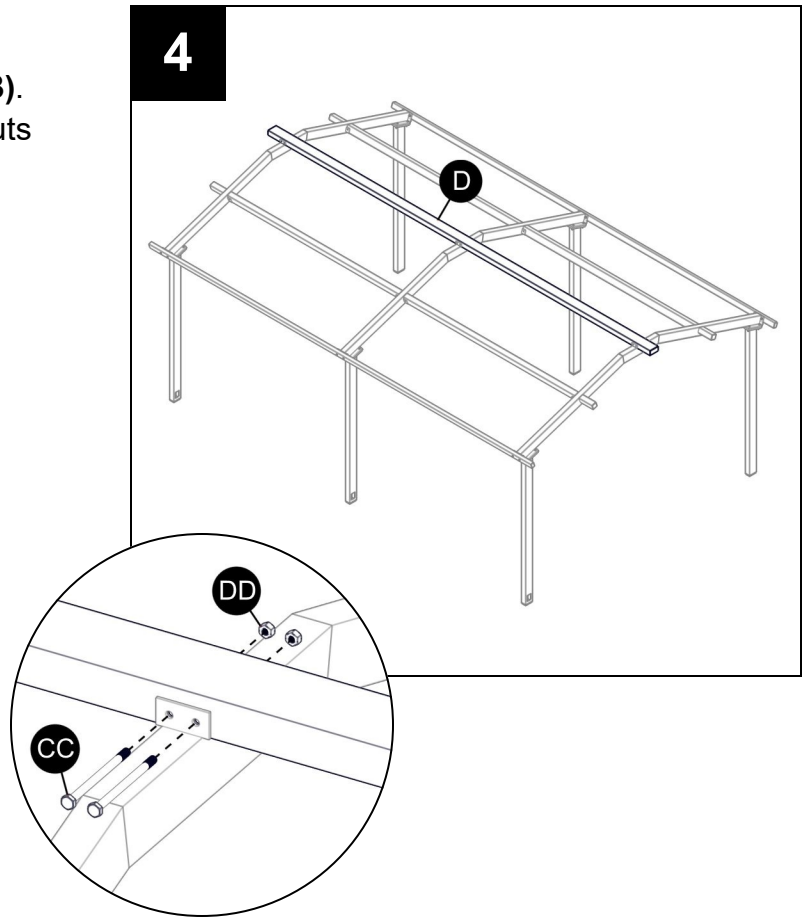
*Depending on size and loading requirements, your shelter may require additional purlins **(M)**.*

Attach upper purlin **(M)** to rafters **(B)** using 1/2" hex bolts **(CC)** and 1/2" hex nuts **(DD)**. If the holes in the mounting plates are slotted, 1/2" washers **(EE)** must also be used.



STEP 4

Position ridge beam **(D)** centered over rafters **(B)**. Attach using 1/2" hex bolts **(CC)** and 1/2" hex nuts **(DD)**.

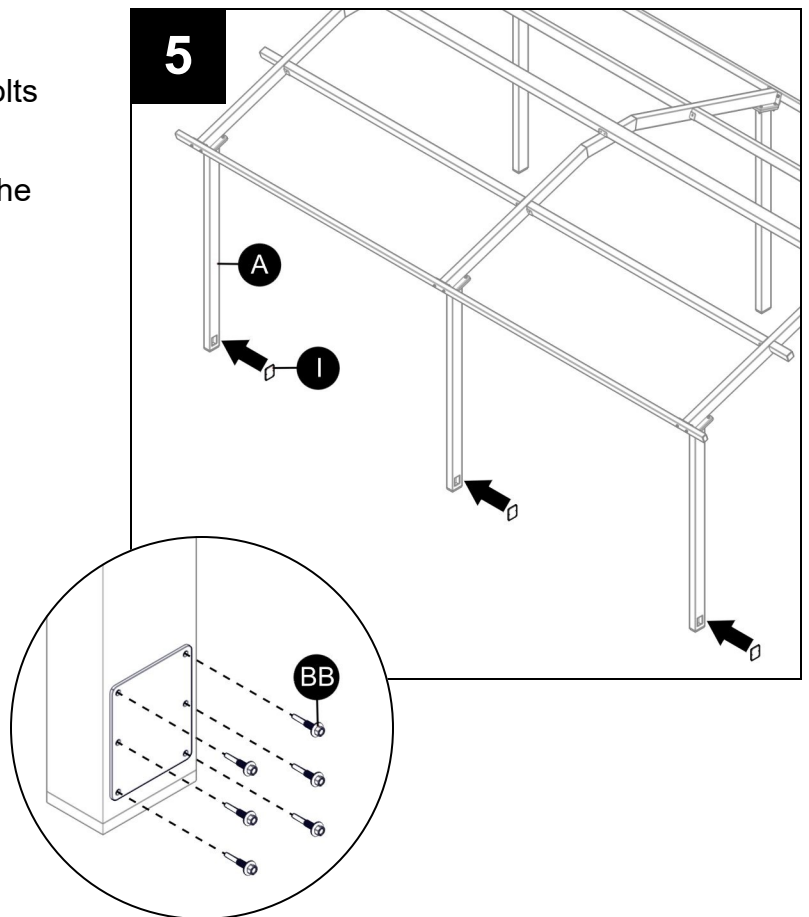


STEP 5

Once the steel frame is completed, tighten all bolts and nuts at each connection.

Position cover plate **(I)** over the access hole at the bottom of post **(A)**. Attach the cover plate to the post using (6) #12 x 1-1/4" screws **(BB)**.

Repeat for all posts **(A)**.

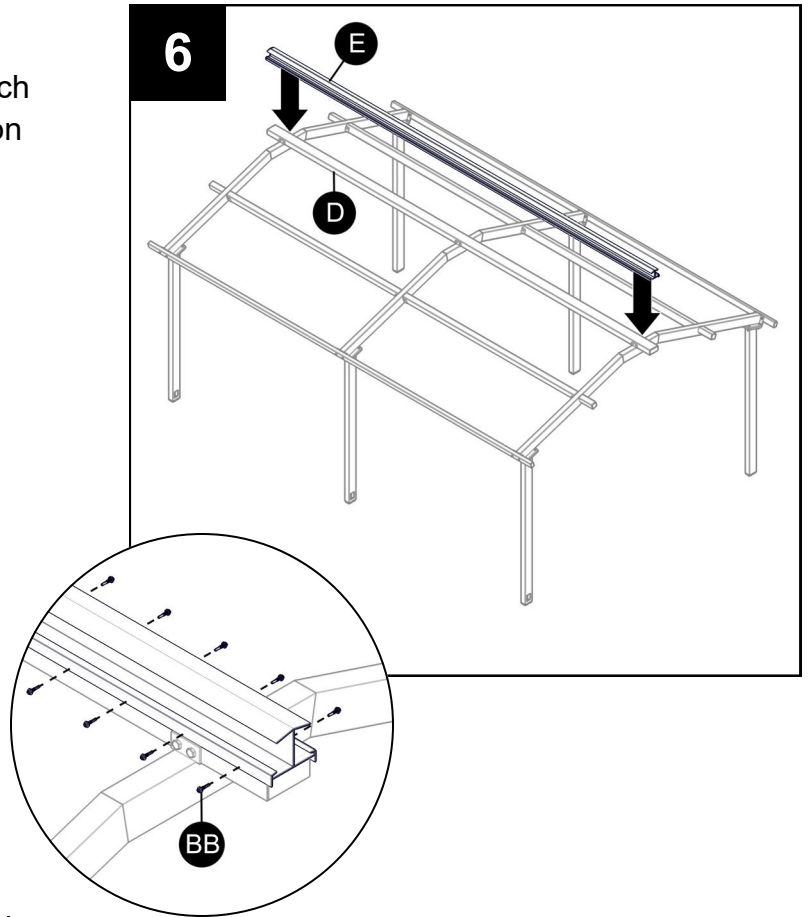


STEP 6

Position ridge cap (**E**) over ridge beam (**D**). Attach using #12 x 1-1/4" screws (**BB**) at 8" on center on both sides.

*If installing 'W' style roof panels (**H**):
Continue with Step 7*

*If installing standing seam roof panels (**O**):
Continue with Step S1 on page 11*

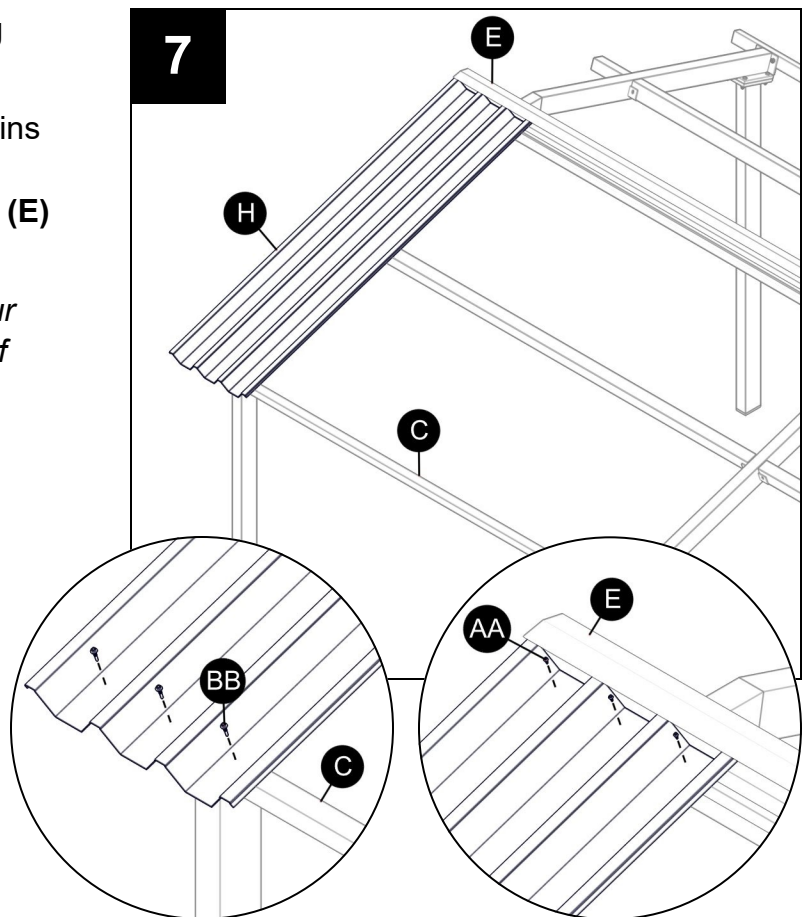
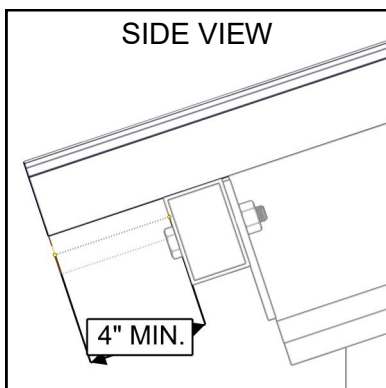


STEP 7

Position roof panel (**H**) over edge beam (**C**) and in ridge cap (**E**). The side of the roof panel should be flush with the end of ridge cap (**E**) and overhang edge beam (**C**) a minimum of 4".

Attach roof panel (**H**) to edge beam (**C**) and purlins (**M**) using #12 x 1-1/4" screws at 8" on center. Attach the top end of the roof panel to ridge cap (**E**) using #8 x 1/2" screws (**AA**) at 8" on center.

*NOTE: Depending on loading requirements, your shelter may require (2) screws (**BB**) at each roof panel valley into edge beam (**C**) and purlin (**M**). Check the provided manufacturer's drawing for details.*



STEP 8

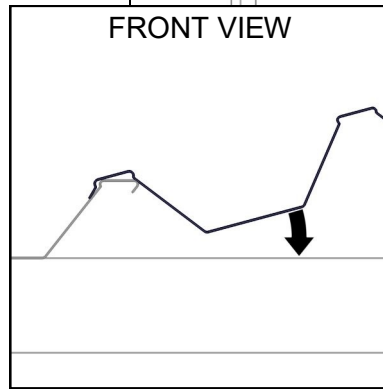
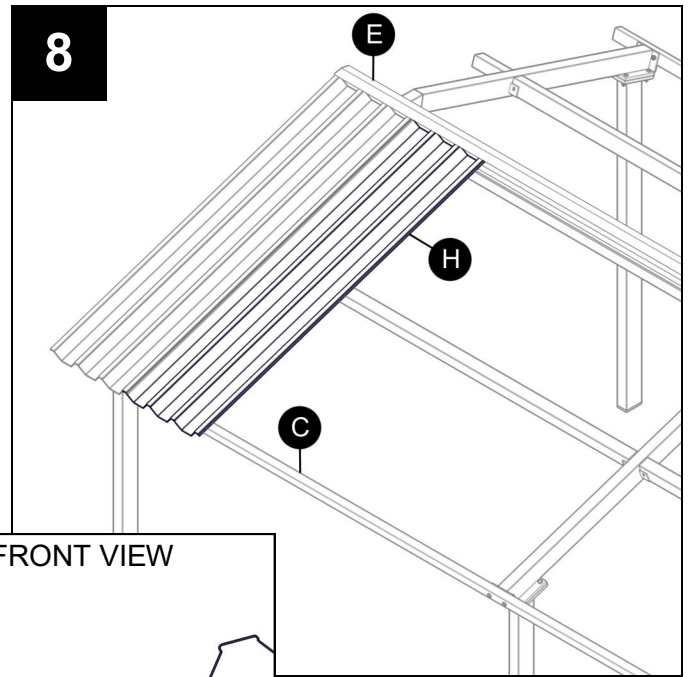
Position the next roof panel (**H**) over the lock of the panel already installed and snap the locks together.

HINT: Holding a spare board under the locks and tapping on top with a rubber mallet may help when joining roof panels.

Slide the panel into ridge cap (**E**) until the bottom end is flush with the previous panel. Attach the panel to edge beam (**C**) and ridge cap (**E**) as shown in Step 7.

Repeat to install all remaining roof panels (**H**).

NOTE: To achieve best roof panel installation, it is very important to hold the 24" center-to-center spacing of the roof panel locks at the top and bottom of the panels.



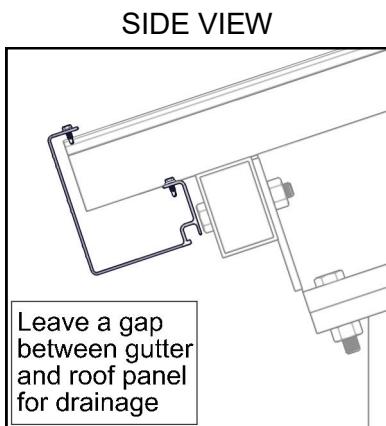
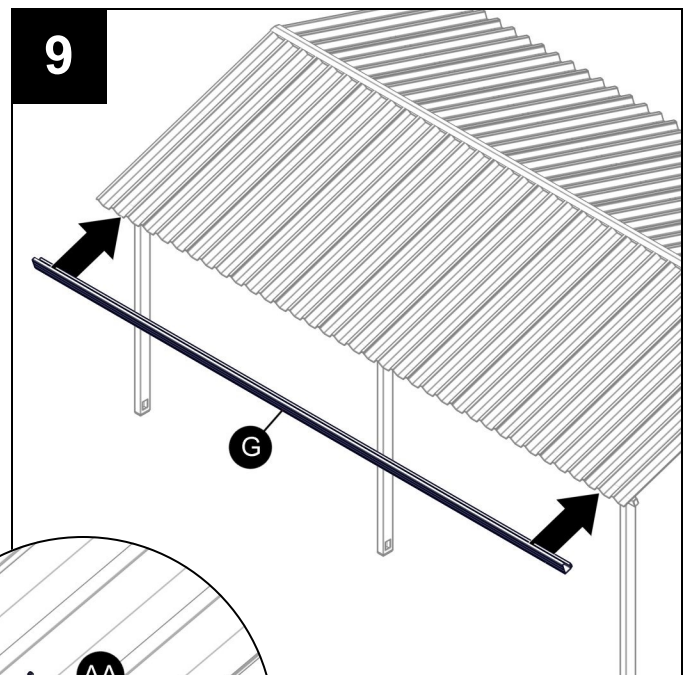
STEP 9

Position gutter (**G**) over the bottom end of roof panels (**H**) with an equal amount of overhang on both ends. Attach the bottom and top lips of gutter (**G**) to roof panels (**H**) using #8 x 1/2" screws (**AA**) at 8" on center.

NOTE: DO NOT push the gutter all the way against the roof panels. It is necessary to leave a small gap for water to drain properly.

Repeat to install remaining gutter (**G**).

Continue on page 12.

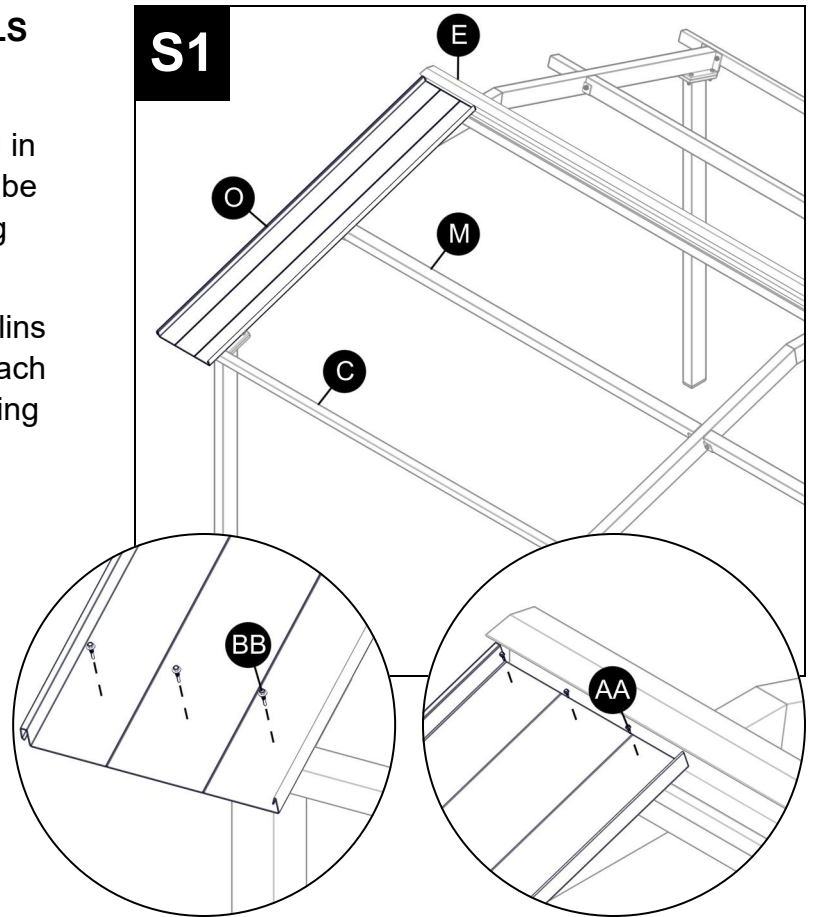
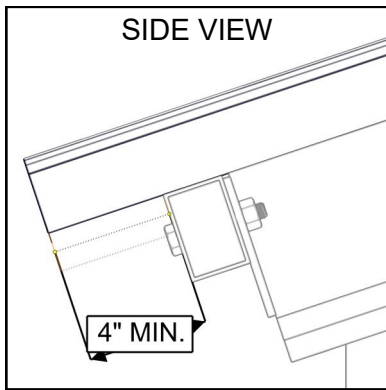


OPTIONAL - STANDING SEAM ROOF PANELS

STEP S1

Position roof panel (**O**) over edge beam (**C**) and in ridge cap (**E**). The side of the roof panel should be flush with the end of ridge cap (**E**) and overhang edge beam (**C**) a minimum of 4".

Attach roof panel (**O**) to edge beam (**C**) and purlins (**M**) using (3) #12 x 1-1/4" screws per panel. Attach the top end of the roof panel to ridge cap (**E**) using (3) #8 x 1/2" screws (**AA**) per panel.



STEP S2

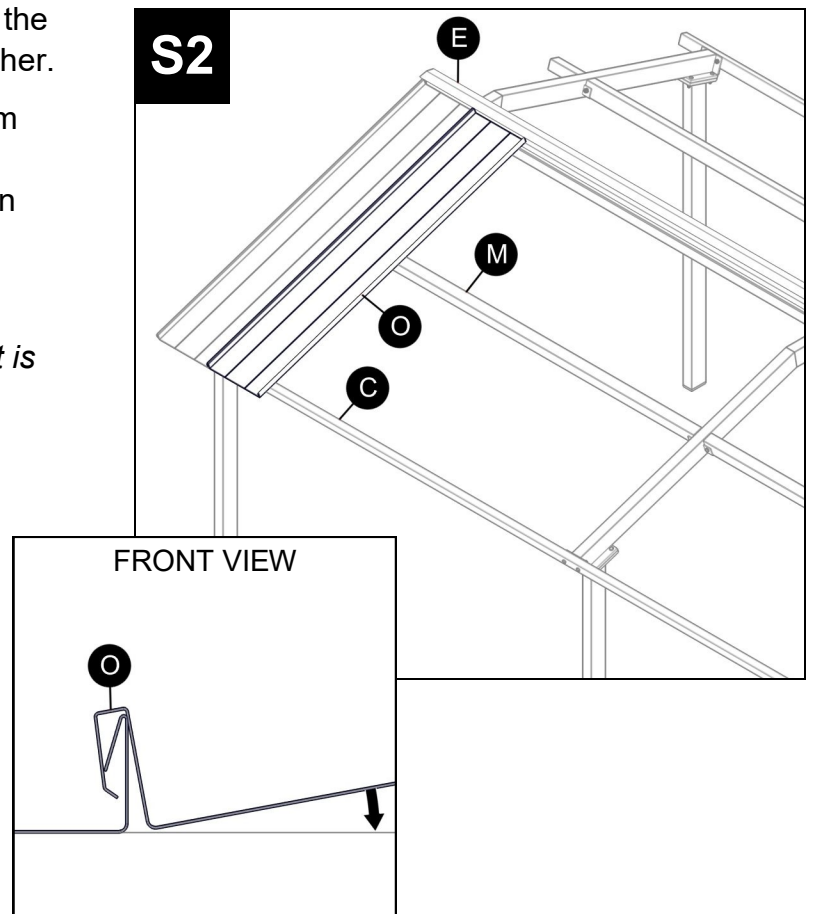
Position the next roof panel (**O**) over the lock of the panel already installed and snap the locks together.

Slide the panel into ridge cap (**E**) until the bottom end is flush with the previous panel. Attach the panel to purlin (**M**) and ridge cap (**E**) as shown in Step S1.

Repeat until all roof panels (**O**) are installed.

NOTE: To achieve best roof panel installation, it is very important to hold the 18" center-to-center spacing of the roof panel locks at the top and bottom of the panels.

Continue with Step 9 on page 10.

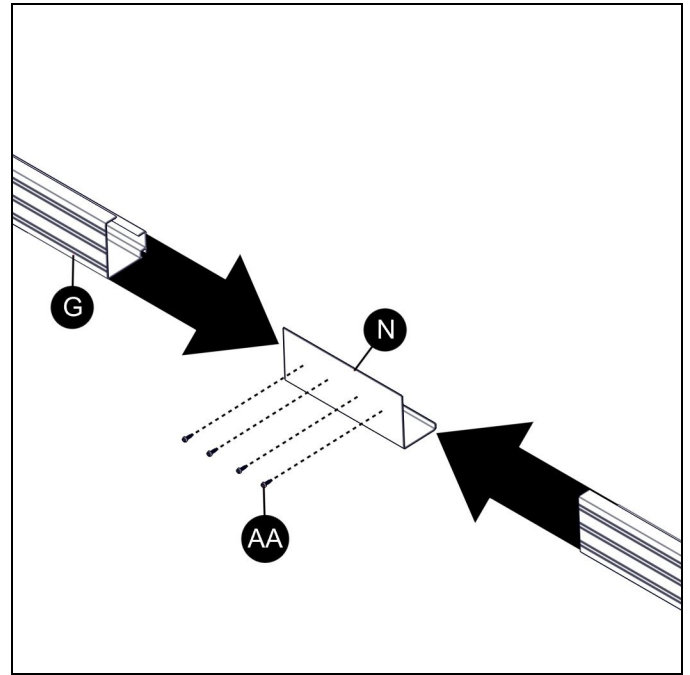


OPTIONAL - Gutter Splice

Complete this step only if gutter (**G**) is in two or more pieces.

Apply a generous amount of caulk to the back and bottom of gutter splice (**N**) to prevent leaks. Insert an equal amount of the splice into the ends of the gutters (**G**).

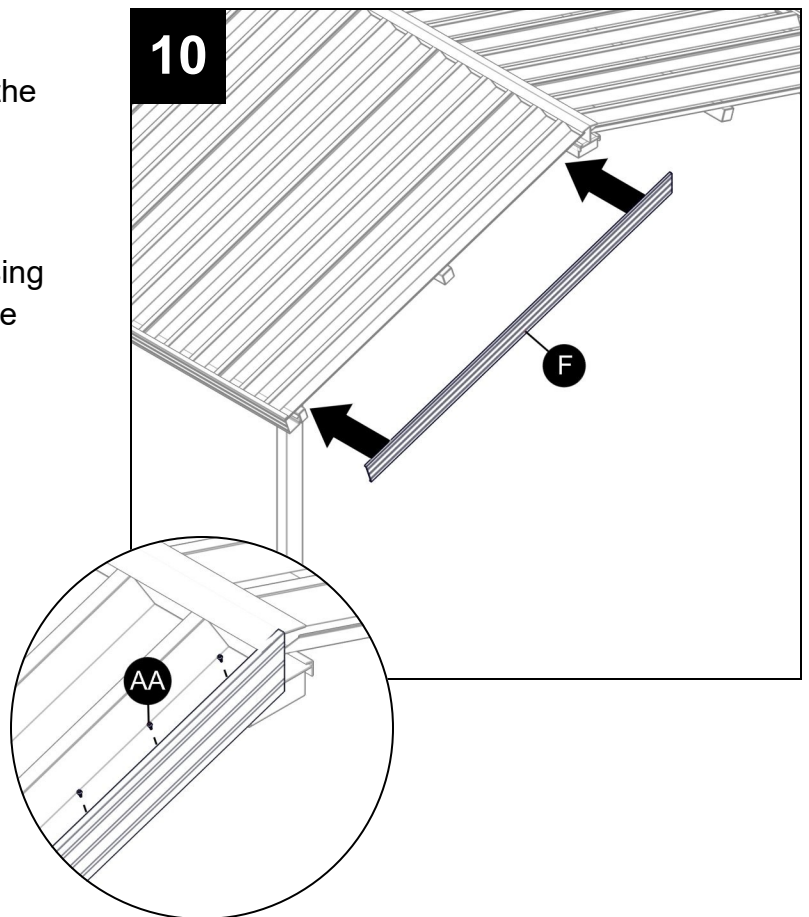
Attach gutter (**G**) to gutter splice (**N**) using (4) #8 x 1/2" screws (**AA**).



STEP 10

Position projection fascia (**F**) over either end of the roof so that the straight cut end is flush with the front of gutter (**G**). The angle cut end should be approximately centered with ridge cap (**E**).

Attach projection fascia (**F**) to roof panels (**H**) using #8 x 1/2" screws (**AA**) at 8" on center through the top lip.

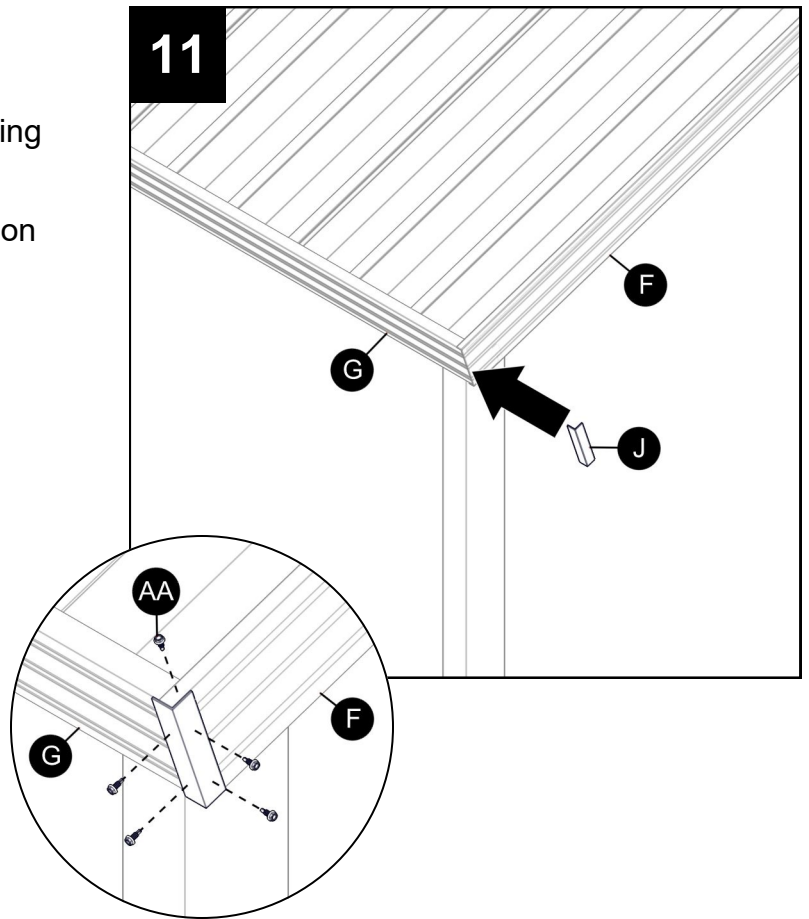


STEP 11

Fit corner cap (**J**) over projection fascia (**F**) and gutter (**G**) at any corner of the shelter. Attach using (4) #8 x 1/2" screws (**AA**).

Also place a screw through the top lip of projection fascia (**F**) into the top lip of gutter (**G**).

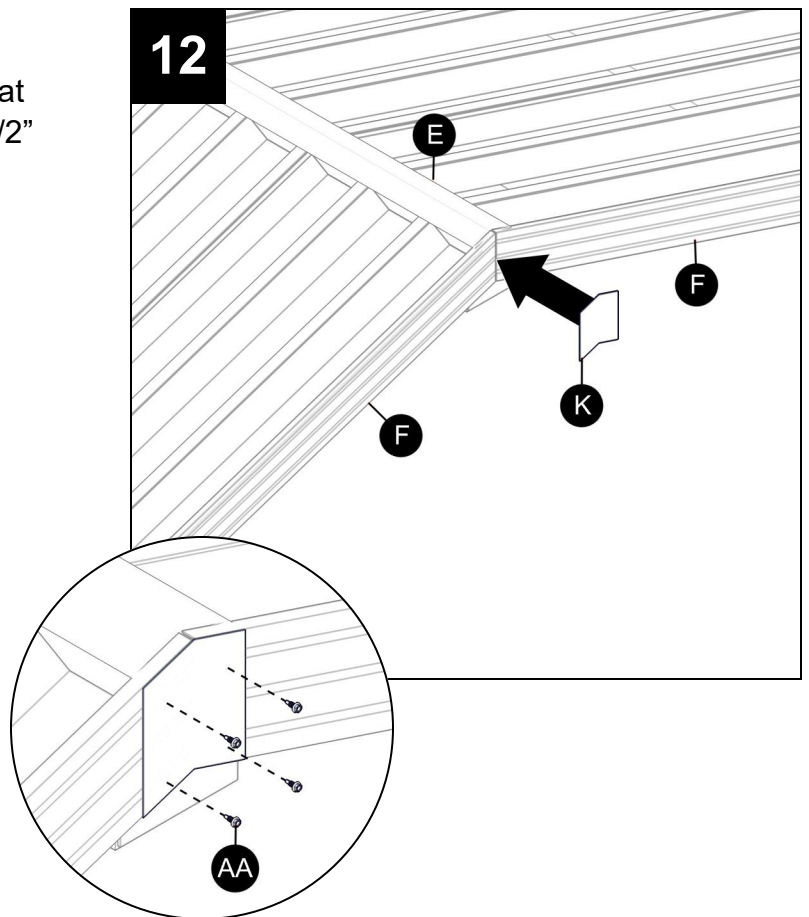
Repeat to install all remaining corner caps (**J**).



STEP 12

Position peak cap (**K**) over projection fascia (**F**) at either end of the shelter. Attach using (4) #8 x 1/2" screws (**AA**).

Repeat to install remaining peak cap (**K**).



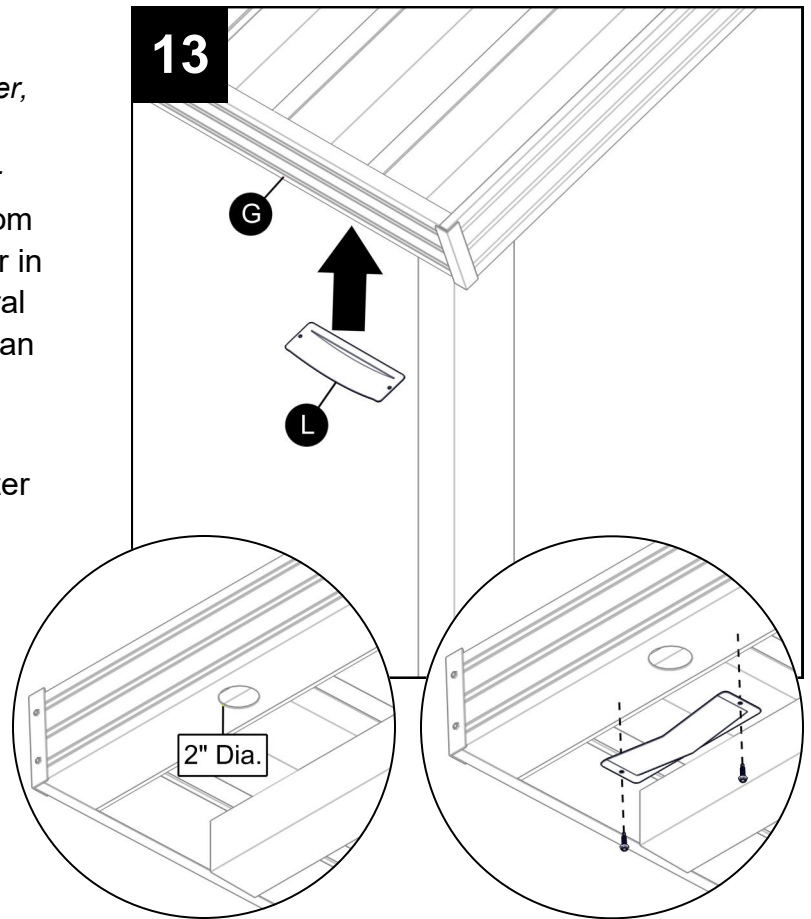
STEP 13

If optional downspout kit was received with your order, you may not have received scupper (L). Follow the separate downspout assembly instructions attached.

Determine the desired location to drain water from gutter (G). Cut a hole no bigger than 2" diameter in the bottom of the gutter. Alternatively, drill several small holes in a rectangular pattern no bigger than 2" x 3".

Apply a generous bead of caulk around the top flange of scupper (L). Attach the scupper to gutter (G) using (2) #8 x 1/2" screws (AA).

Repeat for any remaining scuppers (L).



ASSEMBLY COMPLETED

- Touch up paint has been supplied with the shelter to cover minor scratches or bolt and screw heads. Use a template to achieve a good finish and minimize over-spray.
- Be sure to sweep or brush all metal shavings off the shelter and leave the shelter in a clean condition to help prevent the rusting or staining of the surface finish.

Warranty

What the Warranty Covers:

The manufacturer warrants its products that have been installed in accordance with the installation guidelines, under normal usage conditions, and with proper maintenance as follows: Twenty-five (25) year limited warranty on steel against material failure and defects. Ten (10) year warranty against peeling, cracking, blistering, or crazing of the surface finish of aluminum and steel components. One (1) year warranty against defects in materials and workmanship.

Period of Coverage:

The warranty period begins on the date of original shipment.

What The Manufacturer Will Do To Correct Problems:

If defects or damage of the kind mentioned above should occur within the warranty period, the manufacturer will replace the defective parts only; upon receiving the written and documented claim of purchaser.

What the Warranty Excludes:

Because of normal aging and weathering of materials, it may not be possible to perfectly match the colors of original parts and replacement parts. The manufacturer will not provide or pay for the installation of such replacement parts. The manufacturer shall not be responsible for weather related failures, damages due to faulty installation, misuse or abuse of the product, or for consequential damages, including personal injuries or property damages. There are no warranties, express or implied, which extend beyond the description on the face hereof.

How Do You Get Service:

If you believe that you have a claim under this warranty, submit a copy of your original receipt or other reasonable evidence of the date of purchase, the identity of the product, and photos and a description of the allegedly defective product to the address below. Please also include your name, address, and phone number so that a customer service representative can respond to your submission. Ultimate determination of the existence and extent of any claimed defect under this warranty shall be made by the manufacturer in its sole discretion.

General Awnings LLC
888-330-3115
support@generalawnings.com