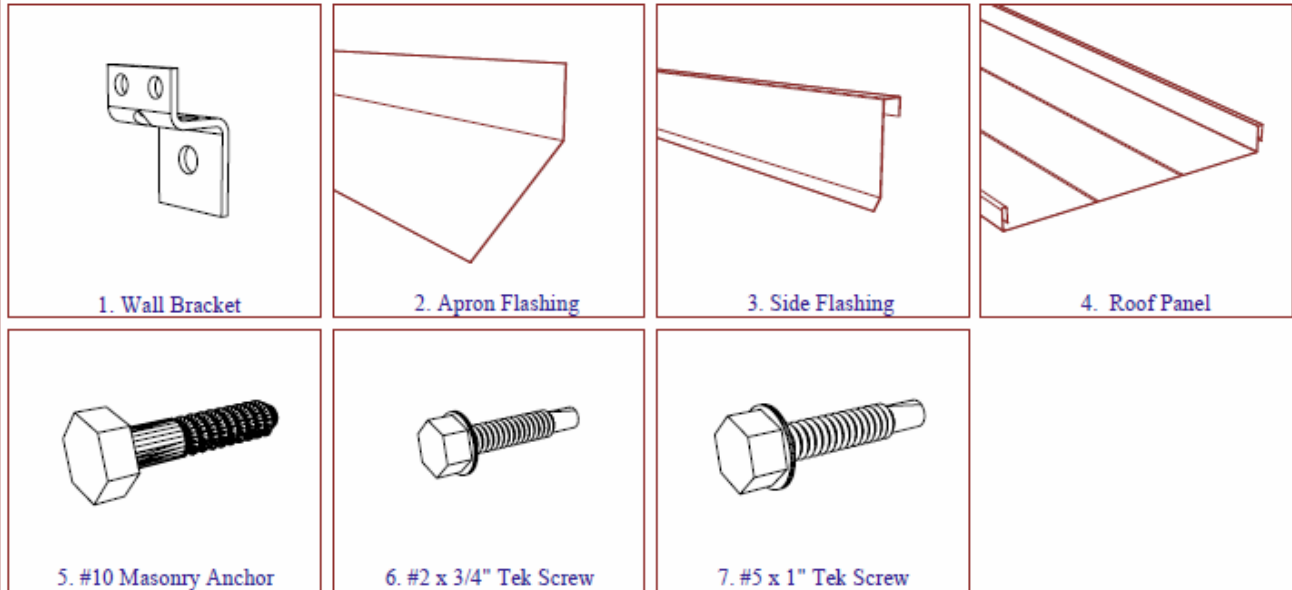


# Mansard Awning Installation Instructions

## PARTS LIST:



### STEP 1

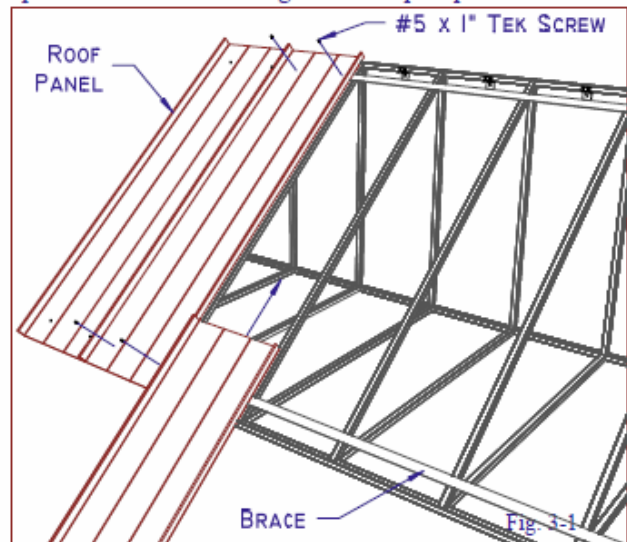
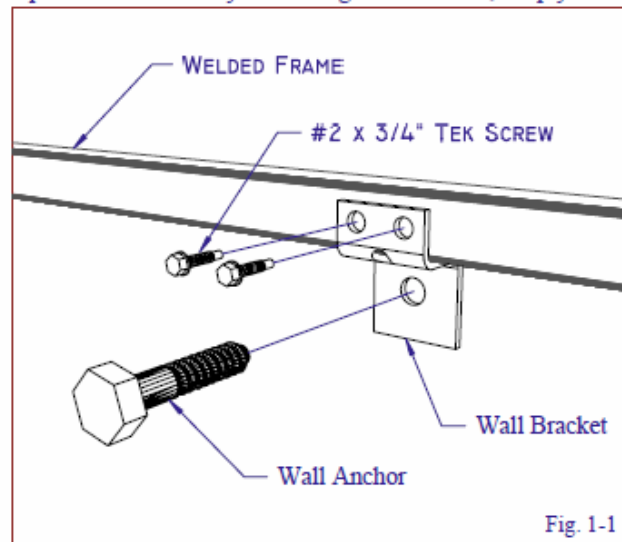
Determine where you want the awning located and position the Wall Brackets, spaced evenly along the width of the awning. Attach Wall Brackets to the wall with the appropriate anchor depending on wall type (see Fig. 1-1). NOTE: Do not attach awning to any non-structural surface.

### STEP 2

The awning frame is pre-welded to eliminate the need for on-site welding. Simply hoist the frame onto the Wall Brackets and attach using 2 - #2 x 3/4" Tek Screws per bracket through any of the holes (see Fig. 1-1). Small units may be assembled on the ground before being lifted onto the mounting brackets.

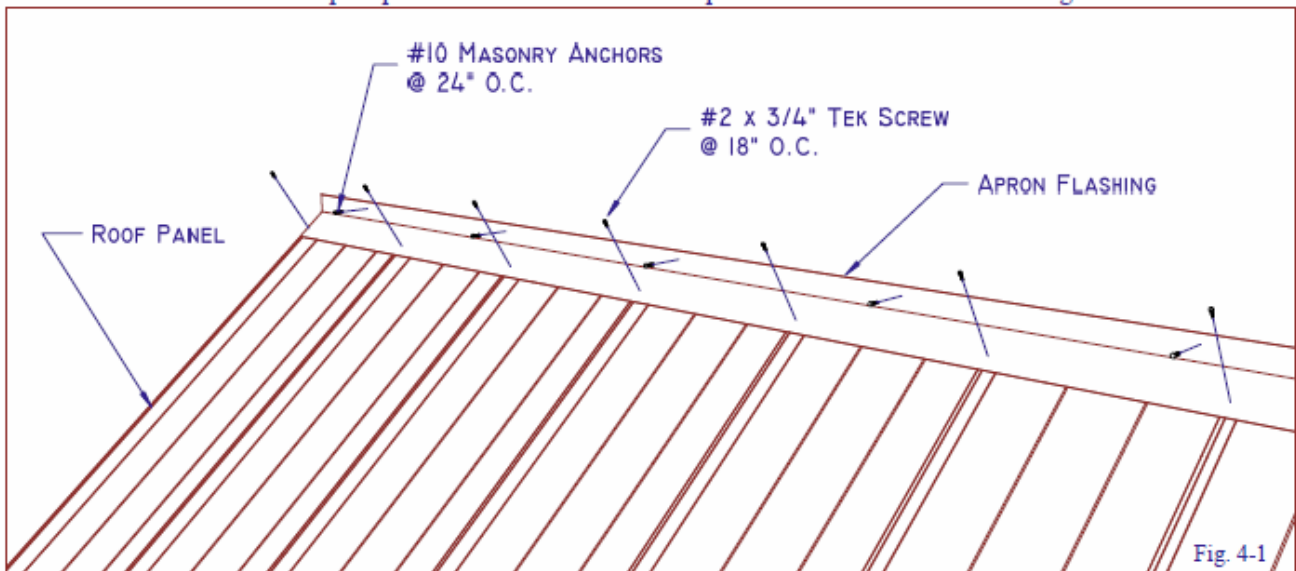
### STEP 3

Begin roof panel installation by positioning the first roof panel at either end of the awning. Be sure the bottom of the panel is flush with the edge of the frame and that the female end is on the outside. Attach the roof panel to the frame with #2 x 3/4" Tek Screws. Slide or snap remaining roof panels into place; be sure to maintain 18" on-center and keep panels square with frame. If your awning has a valance, simply bend the pre-cut section down being sure to keep all panels even.



#### STEP 4

Attach the apron flashing to the wall with #10 Masonry Anchors at 24" on center and to the roof panels with #2 x 3/4" Tek Screws at 18" on center (see Fig. 4-1). If desired, clip the flashing on both sides of each panel lock and bend down into the open space between the bottom of the panel and the bottom of the flashing.



#### STEP 5

If your awning has side panels, attach them to the frame using 4 - #2 x 3/4" Tek Screws per panel as shown (see Fig. 5-1). Attach the side flashing to the slope panels with #2 x 3/4" Tek Screws as shown (see Fig. 5-2).

