



## Nantucket Style Awning

### OWNER'S MANUAL & INSTALLATION INSTRUCTIONS

- ⚠ **WARNING:** Adult Assembly Required
- ⚠ **WARNING:** Assembly Kit Contains Parts with Sharp Points, Sharp Edges, and Small Parts That Can Present Choking Hazards to Children.
- ⚠ **WARNING:** Components Are Packed in Plastic Bags that are a Suffocation Hazard.

**NOTE:** Please inspect the parts for damage during shipping and/or for any missing items. If you suspect that there may be damage or a shortage, contact us and we will send replacement parts if needed. At this time, visualize how the components fit together and make sure that you have identified the various parts.

**Models with Valance:** NT22, NT33, NT44

Awning size	Width in inches	Awning Size	Width to Inches
3	40.5	12	148.5
4	52.5	13	160.5
5	64.5	14	172.5
6	76.5	15	184.5
7	88.5	16	196.5
8	100.5	17	208.5
9	112.5	18	220.5
10	124.5	19	232.5
11	136.5	20	244.5

*OUR AWNINGS ARE DESIGNED 4.5" WIDER THAN STANDARD WINDOW/DOOR OPENINGS SO THEY ANCHOR TO THE STUDS AROUND THE WINDOW OR DOOR. EXAMPLE: RR22-5 IS FOR 5'-0" WIDE WINDOW. IT MEASURES 64.5" WIDE, 31" TALL, (24" PLUS 7" VALANCE AND 24" DEEP (PROJECTION))*

There is a variety of building wall surfaces; we do not supply the hardware to install your awning. You will need to purchase installation hardware at your local hardware store. We have advised you on different surface applications below:

**CONCRETE BLOCK WALLS:** 3/8" x 3" Masonry anchor bolts or Tapcon Screws plus Washers (1 per bracket)

**WOOD OR SIDING:** 3/8" x 3" Lag Screws plus Washers (1 per bracket)

**OTHER STRUCTURES:** CONSULT A PROFESSIONAL

**PARTS:**

Awning Size in Ft.	3	4	5	6	7	8-10	11-12	13-18	Custom
(TB) Top Bar – C Channel	1	1	1	2	2	2	3	3	
(FB) Front Bar	1	1	1	2	2	2	3	3	
(NTC) Cover Support	2	2	3	3	3	5	4	7	
(P) Projection	2	2	2	2	2	2	2	2	
(B) Back Bar	2	2	2	2	2	2	2	2	
(PM) Projection Bar Assembly		1	1	1	3	3	2	5	

Other parts: Z-Brackets, Self-tapping Screws

All awning sizes over 6’ wide come in to sections. Example: Size 6’ Top Bar (TB) consists of TB1 & TB2 and Front Bar (FB) consist of FB1 & FB2

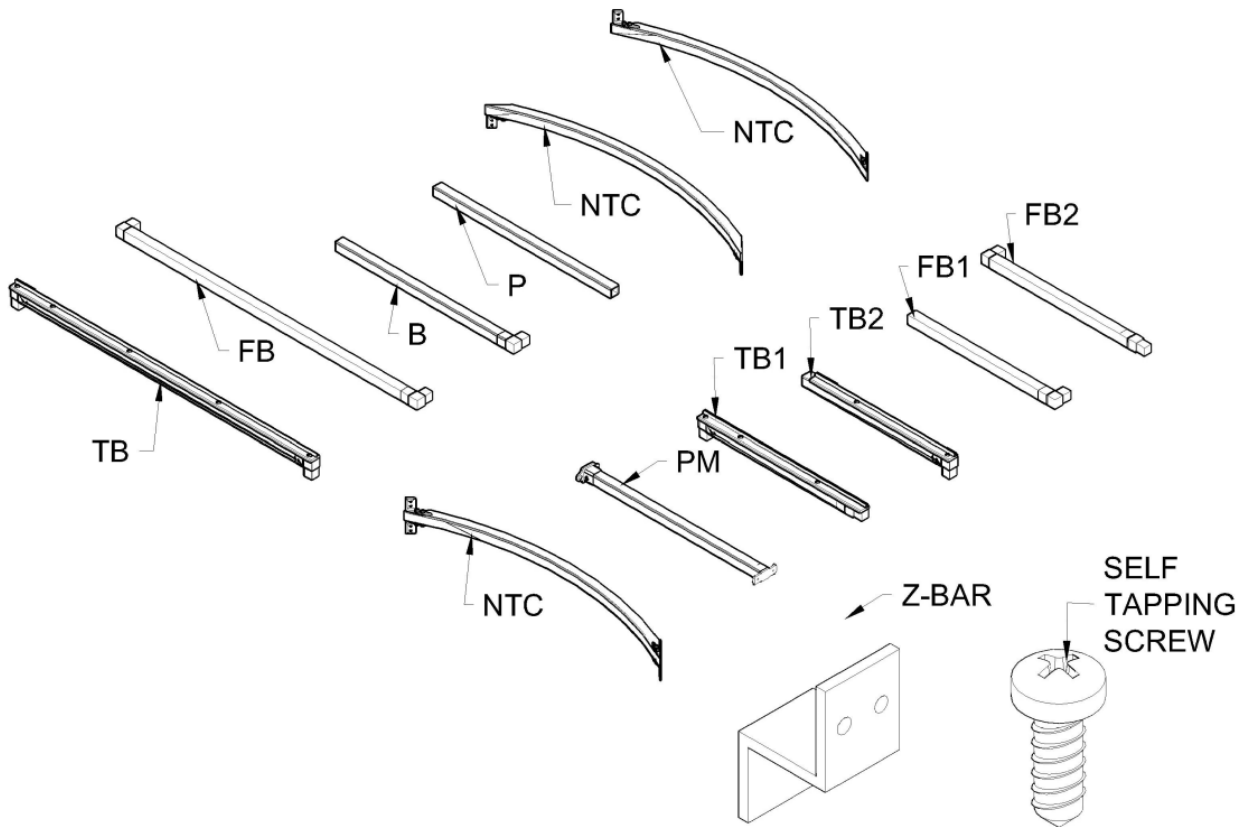
**Tools Required:** Electric Impact Drill, Installation Anchors (as per your wall type), Tape Measure, Safety Glasses, 4’ Level, a Safe Ladder and #2 pencils.

YOU MAY ALSO NEED AN ASSISTANT FOR LARGER AWNINGS. IT DEPENDS ON THE SIZE AND WEIGHT OF THE AWNING.

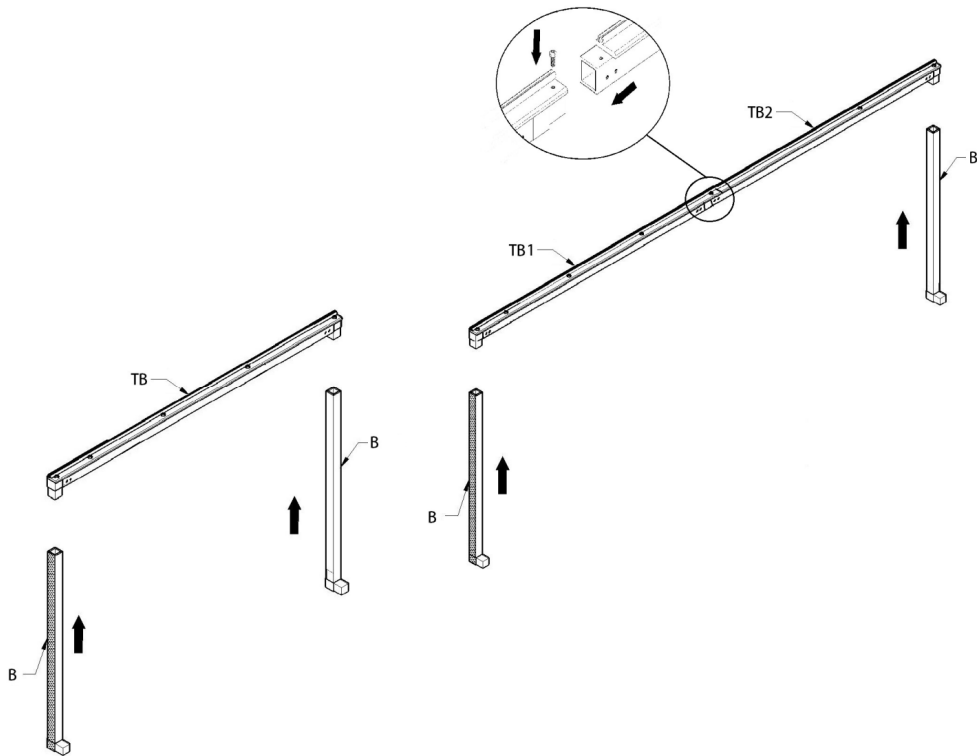
NOTE: YOU WILL FIND THAT THE FITTINGS HAVE BEEN PRE-INSTALLED, AS WE HAVE PRE-ASSEMBLED AND INSPECTED IT FOR YOU IN THE FACTORY.

**Nantucket should be assembled on the ground**

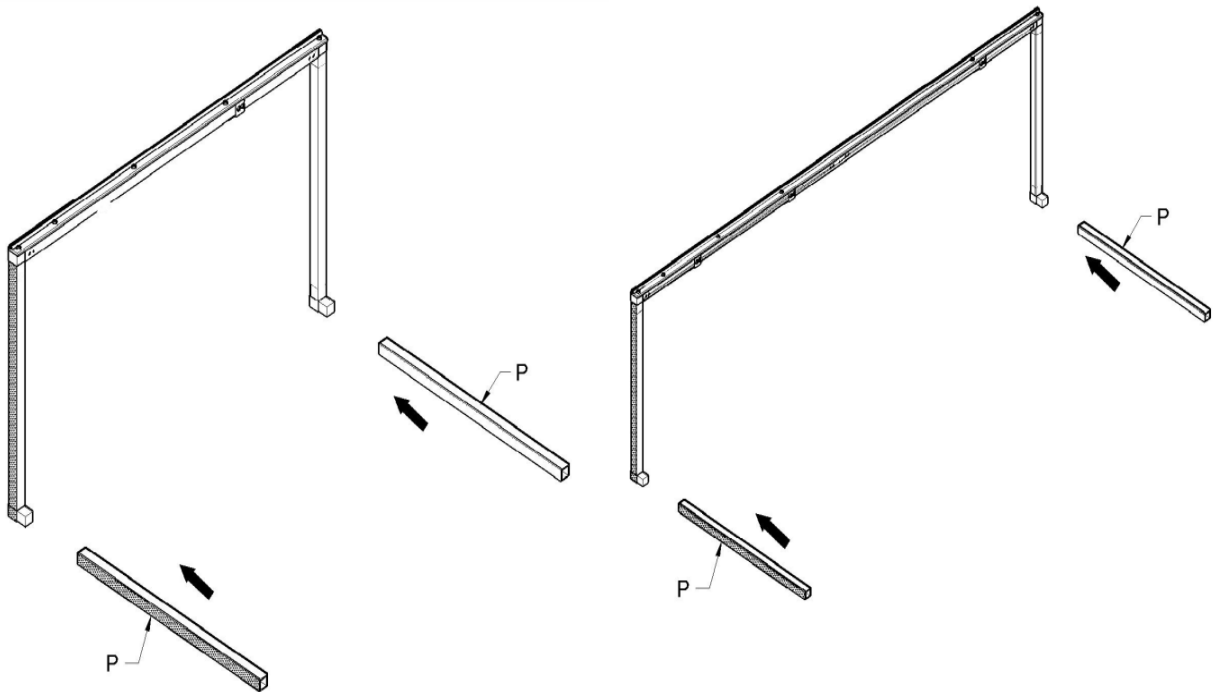
**STEP 1:** Separate all of the parts, so they will be easy to assemble. Please refer to Parts chart for quantities for each part. (pg. 2)



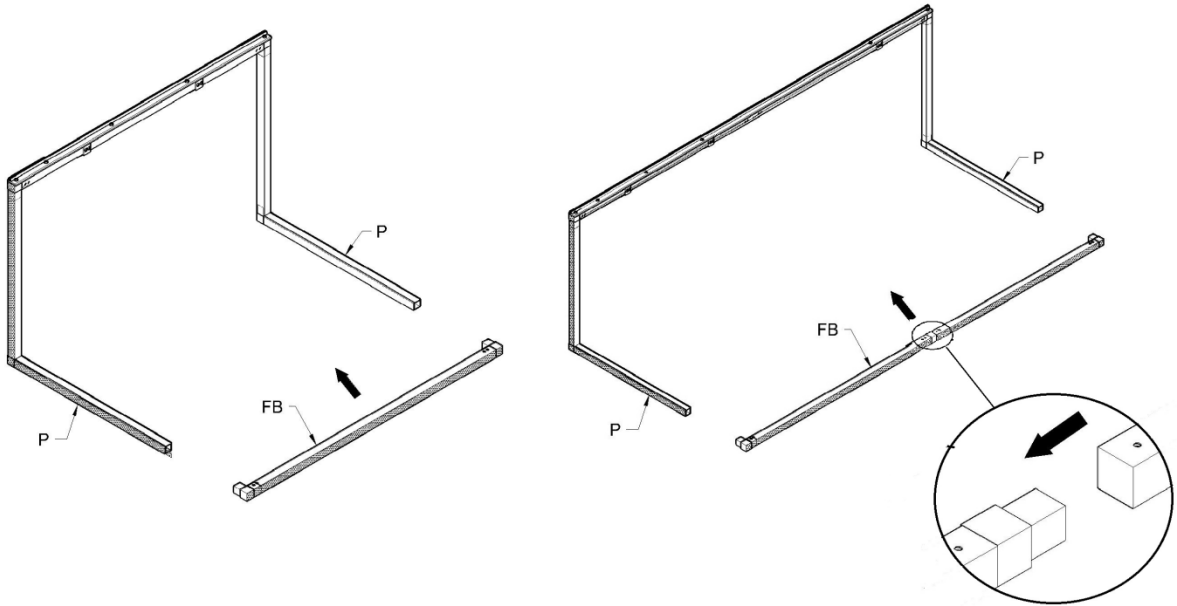
**Step 2:** Connect Top Bar (TB) to the (2) two back bars (B). Make sure the C-Channel is towards the back. The Velcro on the back bars should be facing the rear. Use a rubber mallet to fully seat the tubing into the fitting. Secure with self-tapping screws.



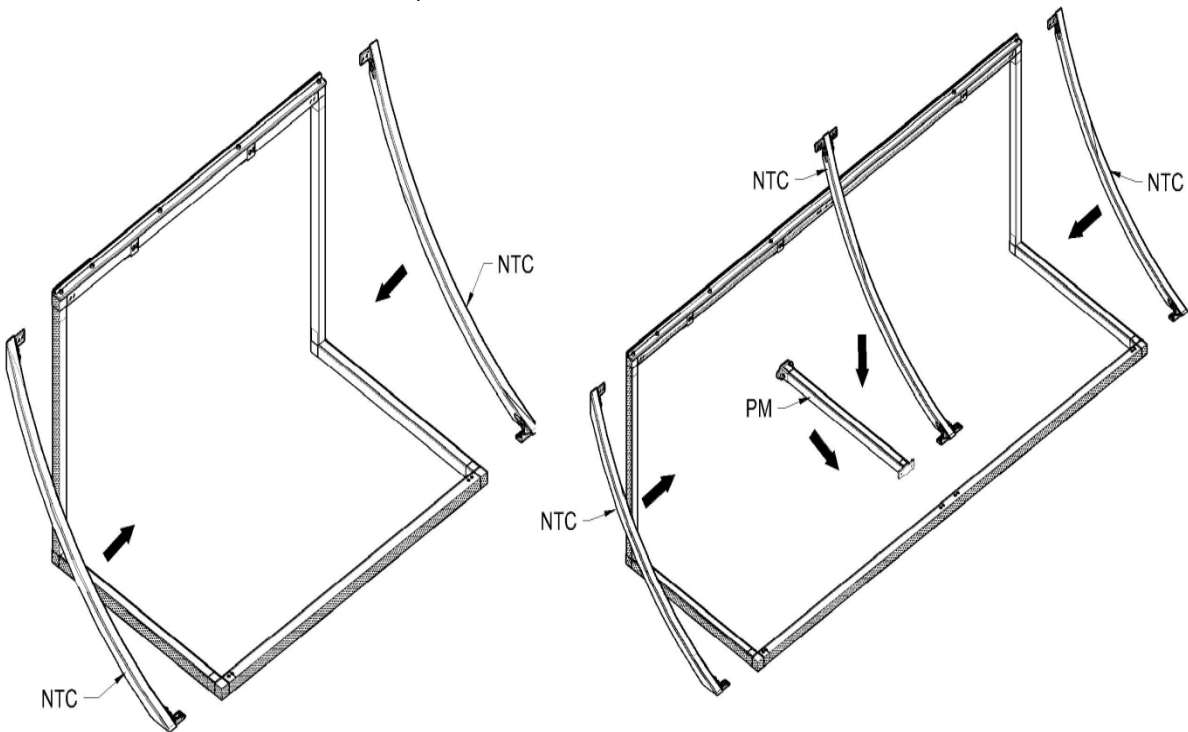
**Step 3:** Connect Both Projection Bars (P) in the other ends of the Back Bars Velcro facing outwards (B).



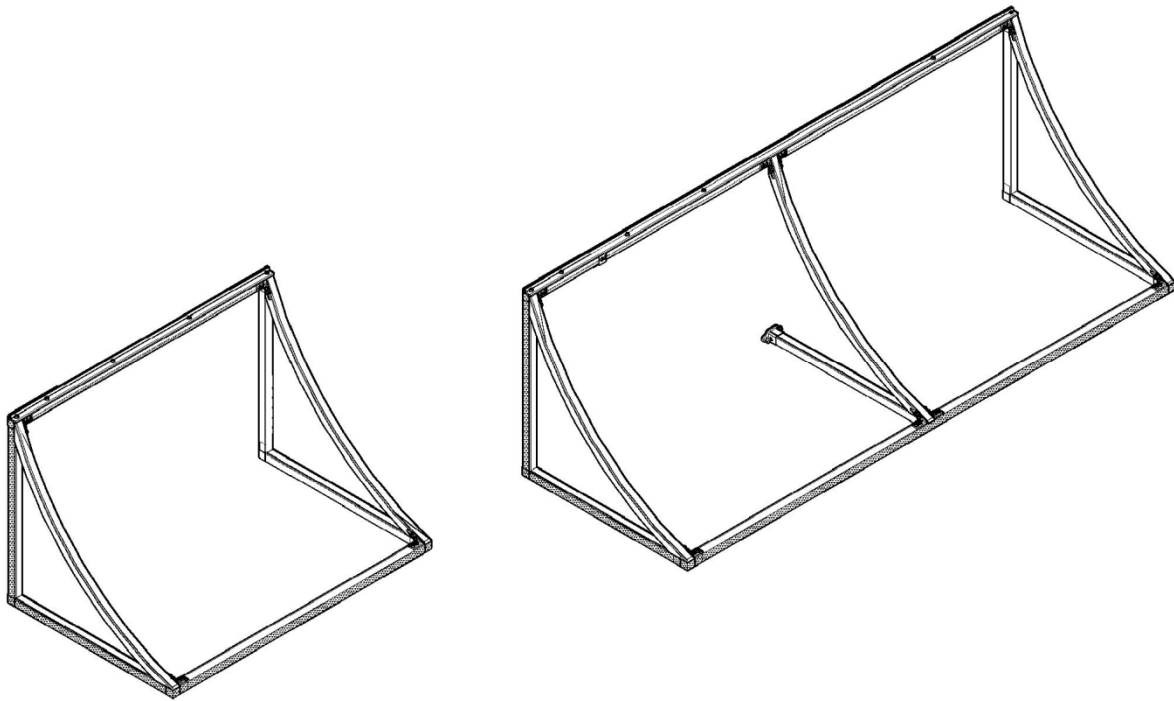
**Step 4:** Connect the Front Bar (FB) to the projection Bars (P). Velcro will be facing out. Secure with Self tapping screws.



**Step 5:** Install the Cover Supports (NTC) with arrows pointing upward. Attach both ends to the (TB) and (FB). Larger awnings add Cover support (NTC) and Wall Support (PM). Secure with self-tapping screws. Please keep in mind wall supports (PM) won't have pre-drilled holes. You'll need to use the self tapping screws to secure the bars to the rear end of the front bar where space is available.

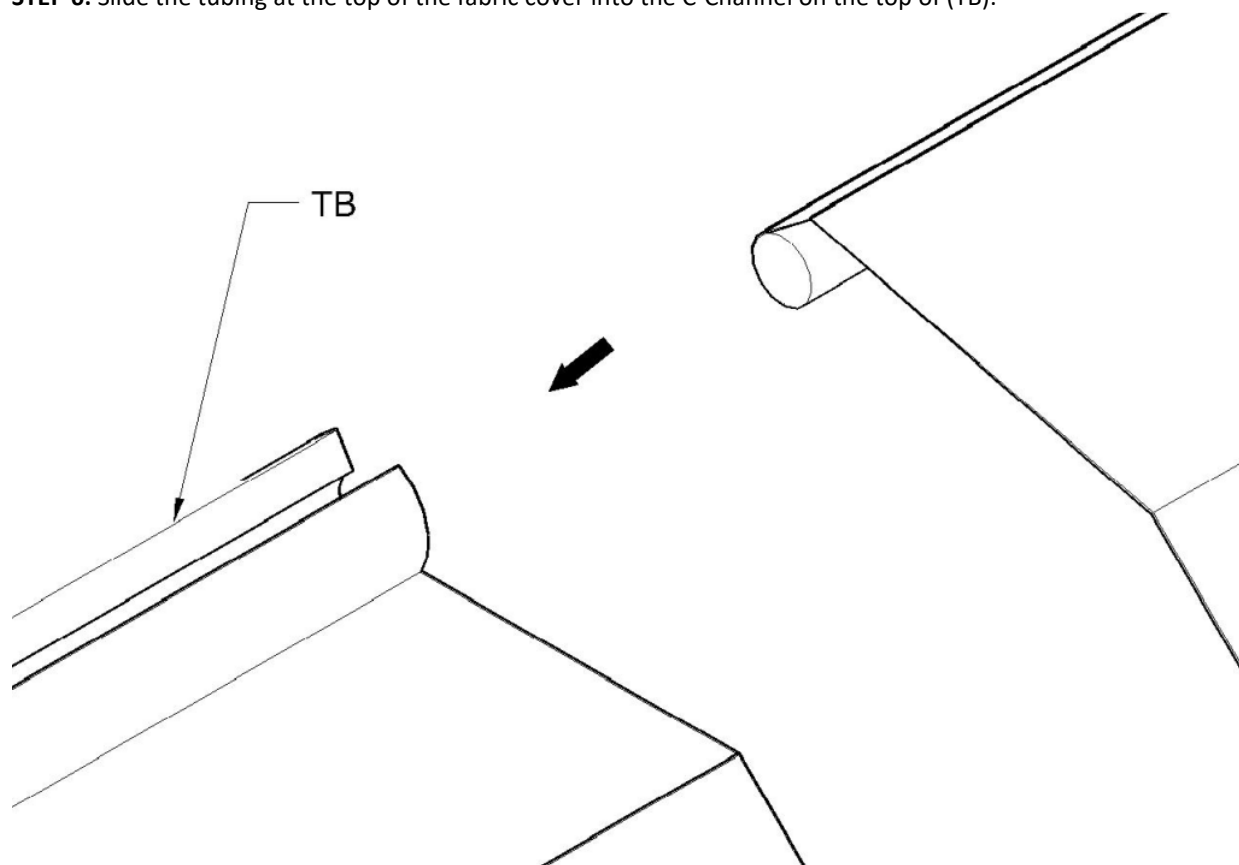


The frame for the Nantucket is complete

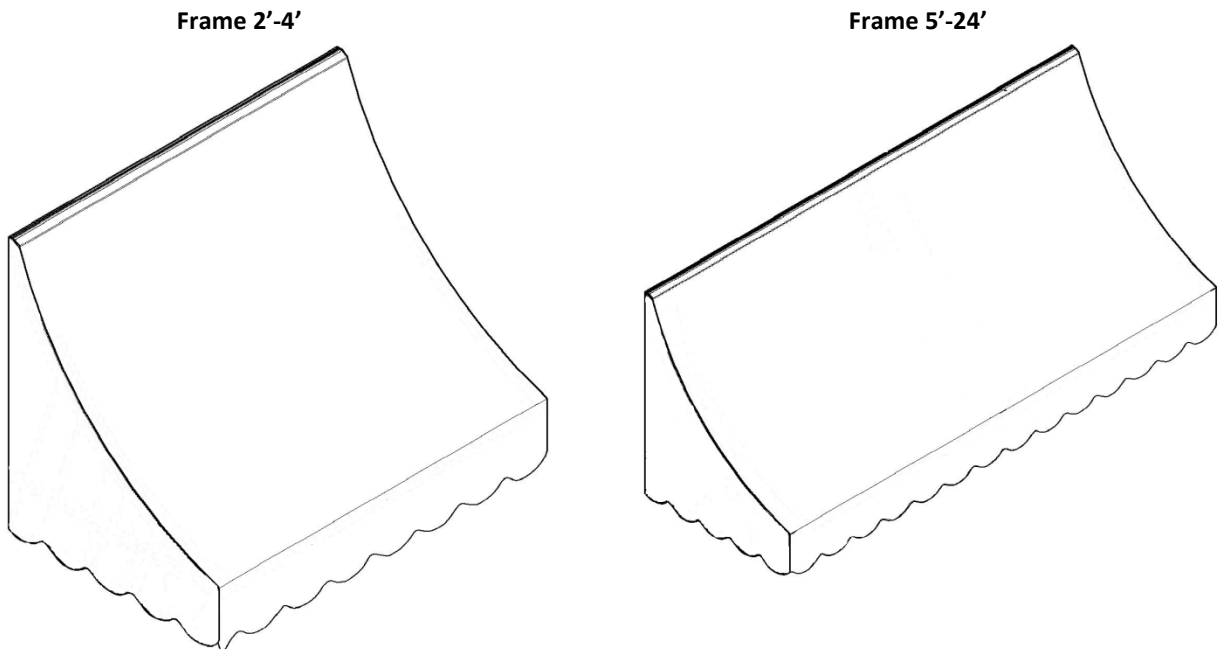


**INSTALLING THE COVER**

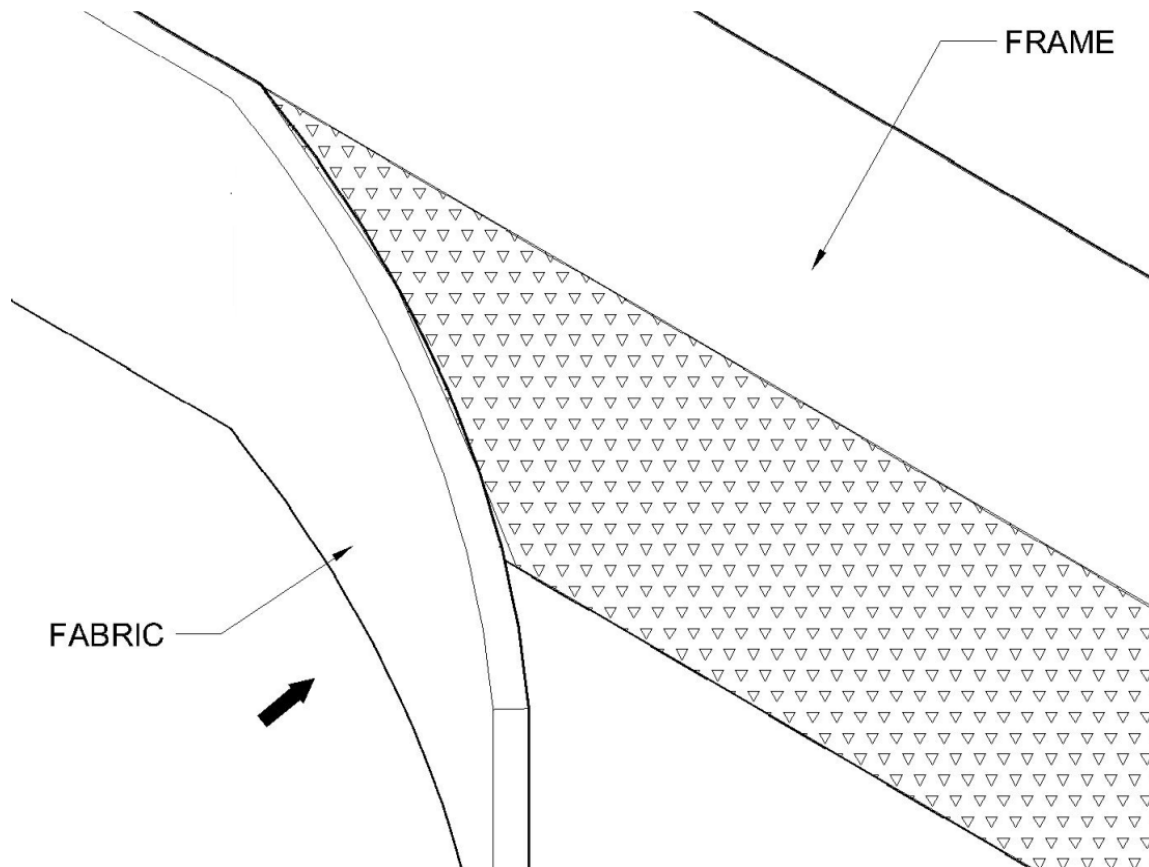
**STEP 6:** Slide the tubing at the top of the fabric cover into the C-Channel on the top of (TB).



**STEP 7:** Pull the remainder of fabric over the fame with the valance hanging down below the (NC) and (FB) bars.



**STEP 8:** Once you are satisfied with the position of the cover, Pull the tabs snugly and attach them to the pre-installed Velcro tape on the bars.



## **MOUNTING THE AWNING**

**STEP 9:** Place the awning on in desired location. From the inside of the awning make a mark on the wall where the awning touches. (See the chart below for the height measurements)

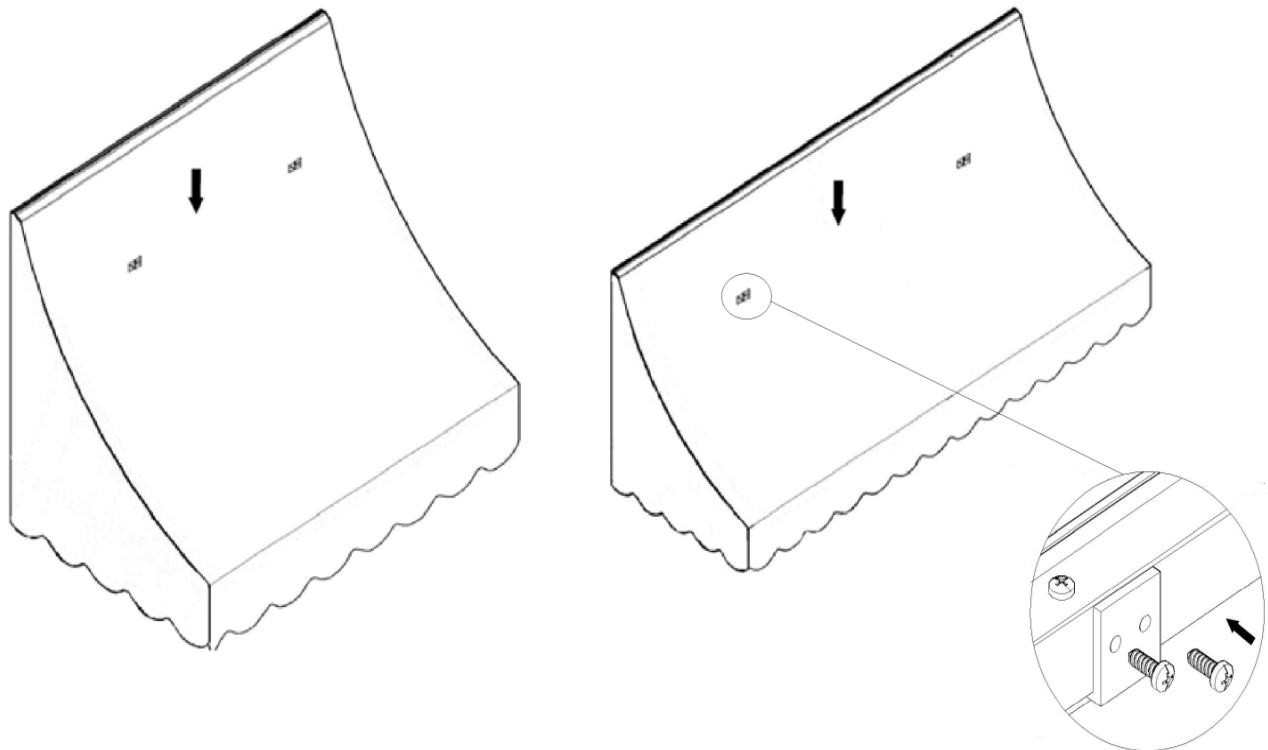
the sizes are in inches

Model	Space between TB and P	Height incl valance	Projection
NT22	24	31	24
NT33	36	44	36
NT44	48	56	48

**Step 10:** install the Z-Brackets, temporarily place the awning on the wall to make sure it fits prior to tightening screws. Please keep in mind there won't be pre-drilled holes for the Z-Brackets so you can place them where they are needed.

**Step 11:** Remove the awning and tighten wall brackets.

**Step 12:** Install weather Stripping on the awning outside parameter. Place the awning back on the brackets. Drill two holes for self-tapping screws thru the (TP) use Z-Brackets for guide. Secure with self-tapping screws.



### **NORMAL WEAR & TEAR:**

The weather in certain regions of the country contributes to wear and tear of the awnings. If you live in these areas (High maintenance areas: FL, TX, NM, AZ, NV or high-altitude areas) weather conditions (including sun) can take a toll. Normal wear and tear is not covered in our warranty and should be expected. Damages caused by improper anchoring, strong winds, snow or ice are not considered defects. We offer replacement fabric at affordable prices

### **CLEANING & CARE:**

Awnings should be cleaned at least once a year in low maintenance areas or twice a year in high maintenance areas (see high maintenance areas above). Cleaning consists of brushing off debris with broom, brushing on a non-detergent cleaning compound (such as a solution of 1-part vinegar to 1-part water), allowing the awnings to sit for 20 minutes, and then rinsing. Remember that your awning is an exterior product; You'll need to clean your awning to preserve and extend its beauty and life. Please refer to the cleaning and care chart below if you acquire a stain from one of the ingredients on the list.

**CLEANING CHART FOR TYPICAL AWNING STAINS**

STAIN	RECOMMENDED CLEANING SOLUTIONS
CHARCOAL	Vacuum, then liquid detergent
CHEWING GUM	Acetone
SODA	Liquid detergent
CAR GREASE	Acetone
IRON RUST	Oxalic or citrus acids, water
MILDEW	1 cup of bleach and ¼ mild soap per gallon of water
OIL	Acetone
PAINT (LATEX) WET	Liquid detergent, water
PAINT (LATEX) DRIED	Paint, oil or grease remover
PAINT (OIL OR LACQUER)	Paint, oil or grease remover
SUNTAN LOTION	Pine Power® or pine oil detergent
TREE SAP	Turpentine, liquid detergent