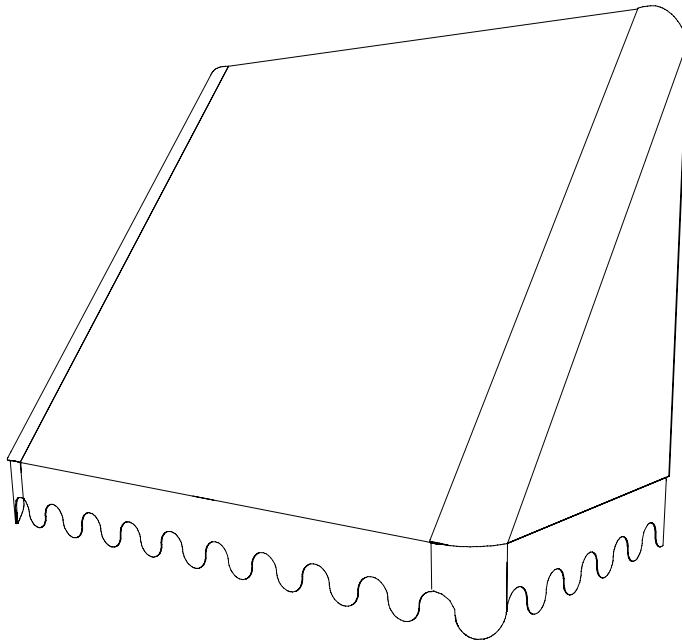


# NEW ENGLAND ROLL-UP AWNING INSTALLATION INSTRUCTIONS



## ***Recommended Tools:***

Phillips Screw Driver  
Tape Measure  
Carpenters Level

(If Awning is being Attached to Brick or Masonry a Drill,  
Masonry Bit, and Masonry Anchors are Required)

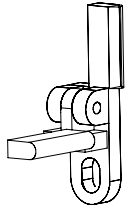
*Not Included*

## ***For Ease of Assembly and Installation***

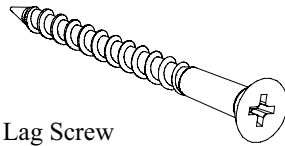
- Familiarize yourself with component parts

## AWNING PARTS LIST

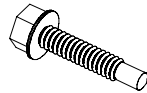
NOTE: The number of parts needed for installation will vary on the size of the awning.



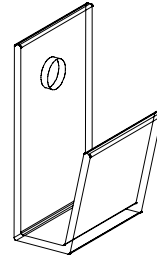
1. Hinge (RH End Shown)



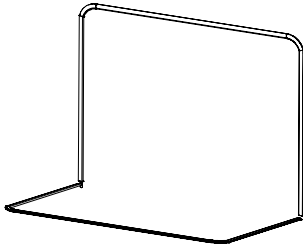
2. 2" Lag Screw



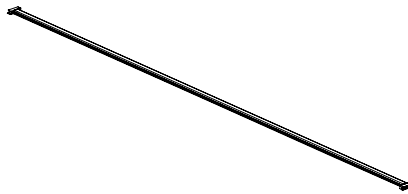
3. #8 x 3/4" Tek Screw



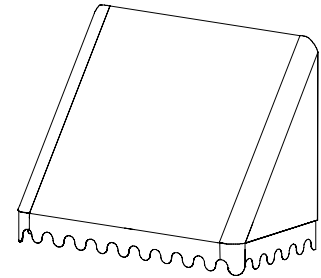
4. Mounting Bracket



5. Ribs



6. Brace



7. Fabric Cover

### STEP 1.

Attach mounting brackets above opening, making sure they are level and at least 2" up. This can be achieved by using a chalk line or measuring up from the top of the opening. Do Not place bracket in center as there will be a center brace on the awning (see Fig. 1-1).

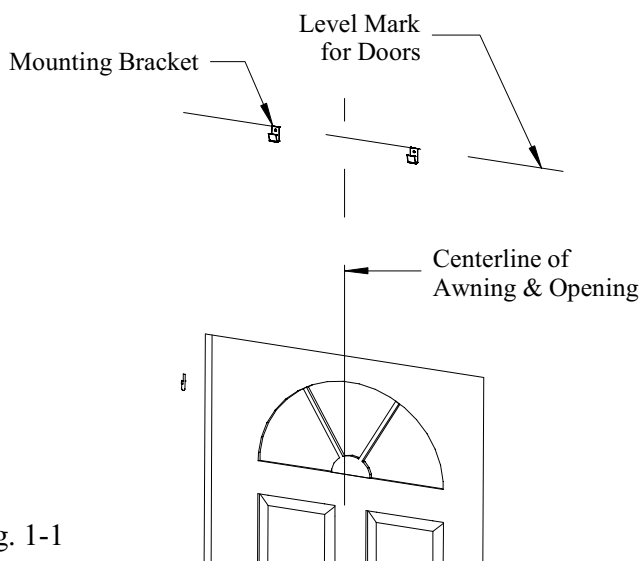


Fig. 1-1

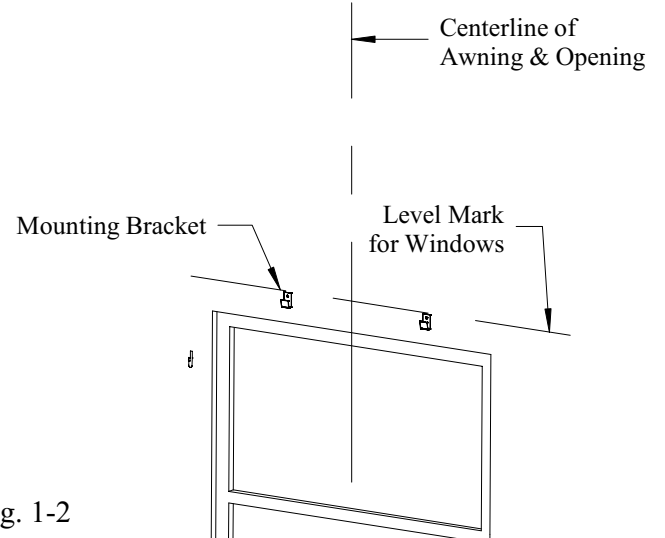
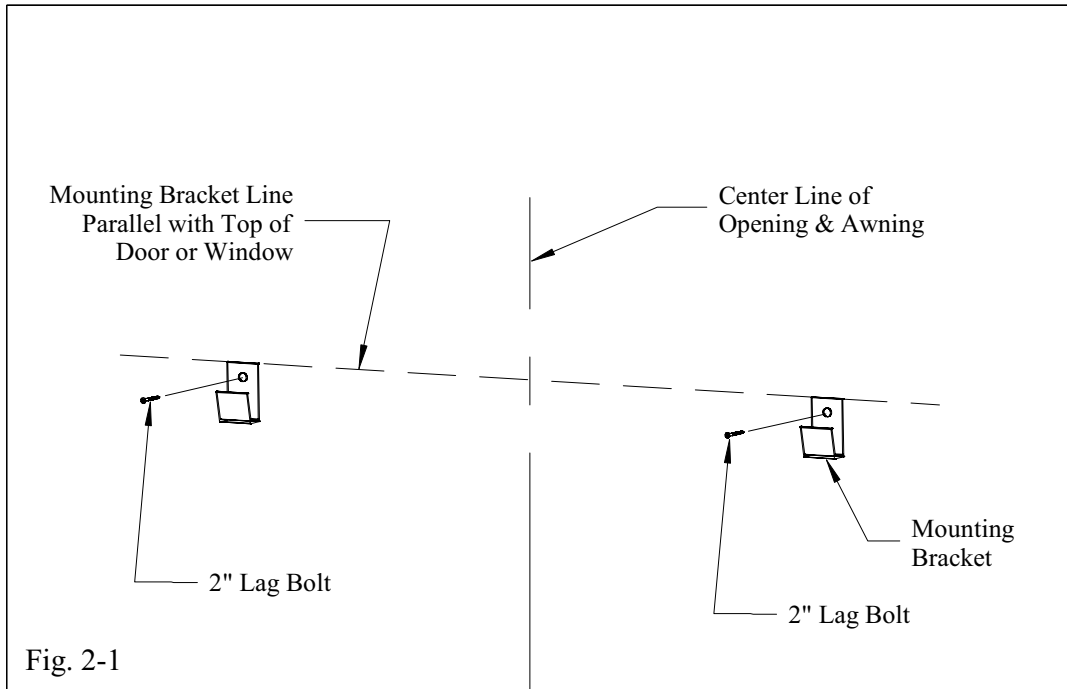


Fig. 1-2

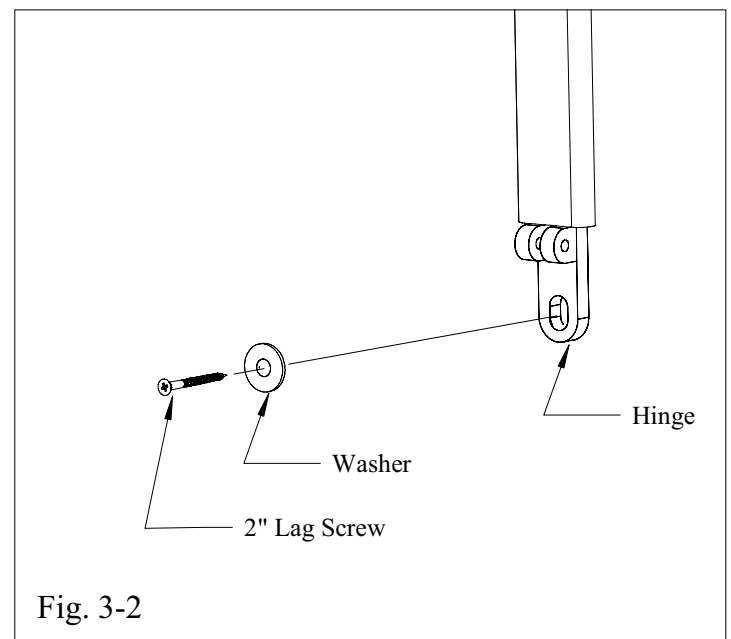
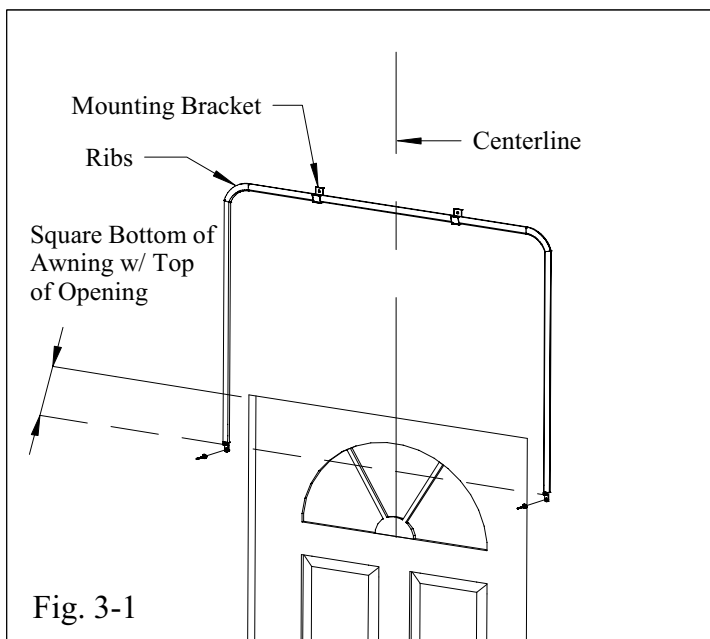
## **STEP 2.**

Once marked remove awning and attach mounting brackets to wall (see Fig 2-1). Attach with the 2" lag screws provided. If mounting on brick or stone, use masonry anchors (not included).



## **STEP 3.**

Center awning over window or door and attach at bottom hinge holes, as shown.



## **STEP 4.**

Once the awning is secured it is ready to be braced if desired. Simply slide/wedge the brace between the ribs and fasten with the screws supplied (see Fig's 4-1 & 4-2).

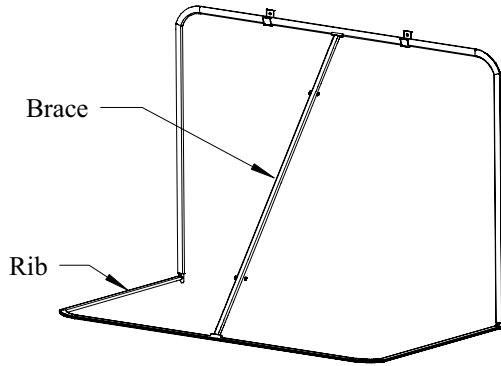


Fig. 4-1

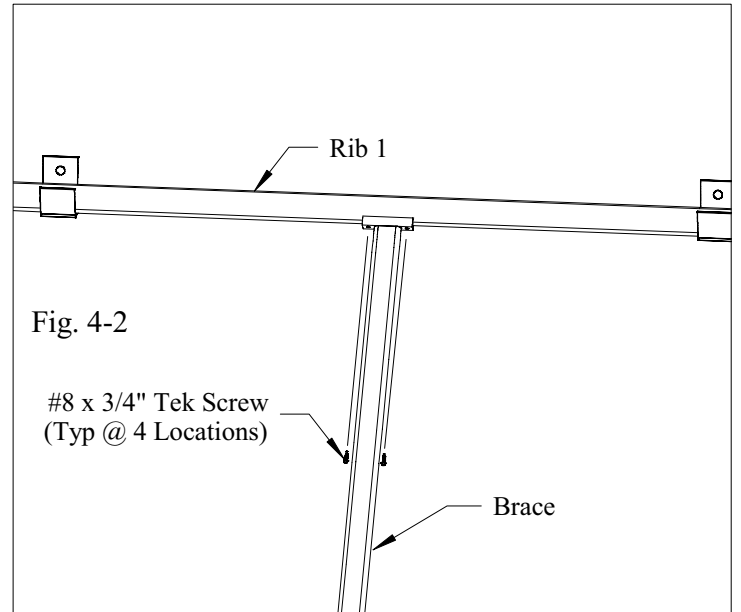


Fig. 4-2

## **INSTALLATION COMPLETED**

