





## New Orleans Style Awning

### OWNER'S MANUAL & INSTALLATION INSTRUCTIONS

 **WARNING:** Adult Assembly Required

 **WARNING:** Assembly Kit Contains Parts with Sharp Points, Sharp Edges, and Small Parts That Can Present Choking Hazards to Children.

 **WARNING:** Components Are Packed in Plastic Bags that are a Suffocation Hazard.



**NOTE:** Please inspect the parts for damage during shipping and/or for any missing items. If you suspect that there may be damage or a shortage, contact us and we will send replacement parts if needed. At this time, visualize how the components fit together and make sure that you have identified the various parts.

**Important Installation Information :**

**New Orleans frame must be installed on the wall as there is no connecting part between Spear Arm (SA) and Top Bar (TB).**

**Please read instructions fully before installing.**

**WARNING:** CHOAKING HAZARD – Contains small part, and Sharp metal. CAUTION: When you are opening the box keep children away. Be extremely cautious around children.

**Models with Valance:** NO21, NO32, NO43

Awning size	Width in inches	Awning Size	Width to Inches
3	40.5	12	148.5
4	52.5	13	160.5
5	64.5	14	172.5
6	76.5	15	184.5
7	88.5	16	196.5
8	100.5	17	208.5
9	112.5	18	220.5
10	124.5	19	232.5
11	136.5	20	244.5

*OUR AWNINGS ARE DESIGNED 4.5" WIDER THAN STANDARD WINDOW/DOOR OPENINGS SO THEY ANCHOR TO THE STUDS AROUND THE WINDOW OR DOOR. EXAMPLE: NO21-5 IS FOR 5'-0" WIDE WINDOW. IT MEASURES 64.5" WIDE*

There is a variety of building wall surfaces; we do not supply the hardware to install your awning. You will need to purchase installation hardware at your local hardware store. We have advised you on different surface applications below:

**CONCRETE BLOCK WALLS:** 3/8" x 3" Masonry anchor bolts or Tapcon Screws plus Washers (1 per bracket)

**WOOD OR SIDING:** 3/8" x 3" Lag Screws plus Washers (1 per bracket)

**OTHER STRUCTURES:** CONSULT A PROFESSIONAL

**PARTS:**

Awning Size in Ft.	4-Mar	5	7-Jun	10-Aug	12-Nov	13-18	Custom
(TB) Top Bar – C Channel	1	1	2	2	3	3	
(FB) Front Bar	1	1	2	2	3	3	
(NC) Hypotenuse/Cover Support	2	3	3	5	4	7	
(SA) Spear Arm	2	2	2	2	2	2	
(BP) Black Projection Bar	0	1	1	3	2	5	

Other parts: Z-Brackets, Self-tapping Screws

All awning sizes over 6' wide come in to sections. Example: Size 6' Top Bar (TB) consists of TB1 & TB2 and Front Bar (FB) consist of FB1 & FB2

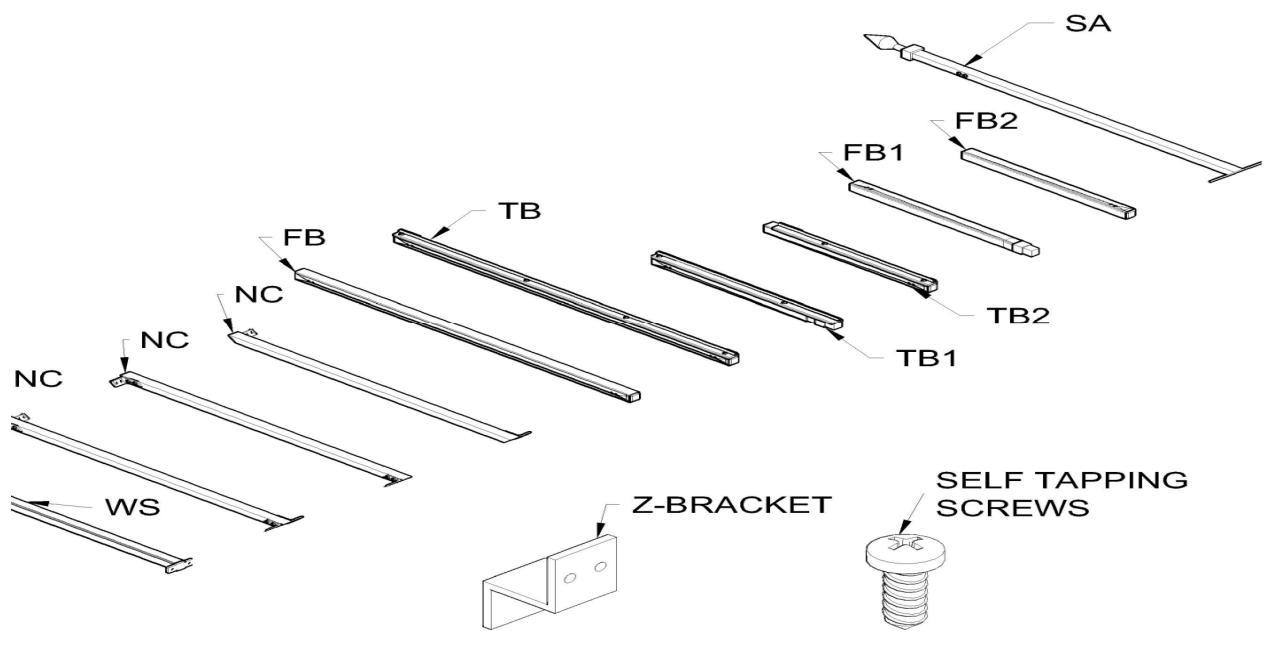
**Tools Required:** Electric Impact Drill, Installation Anchors (as per your wall type), Tape Measure, Safety Glasses, 4' Level, a Safe Ladder and #2 pencils.

YOU MAY ALSO NEED AN ASSISTANT FOR LARGER AWNINGS. IT DEPENDS ON THE SIZE AND WEIGHT OF THE AWNING.

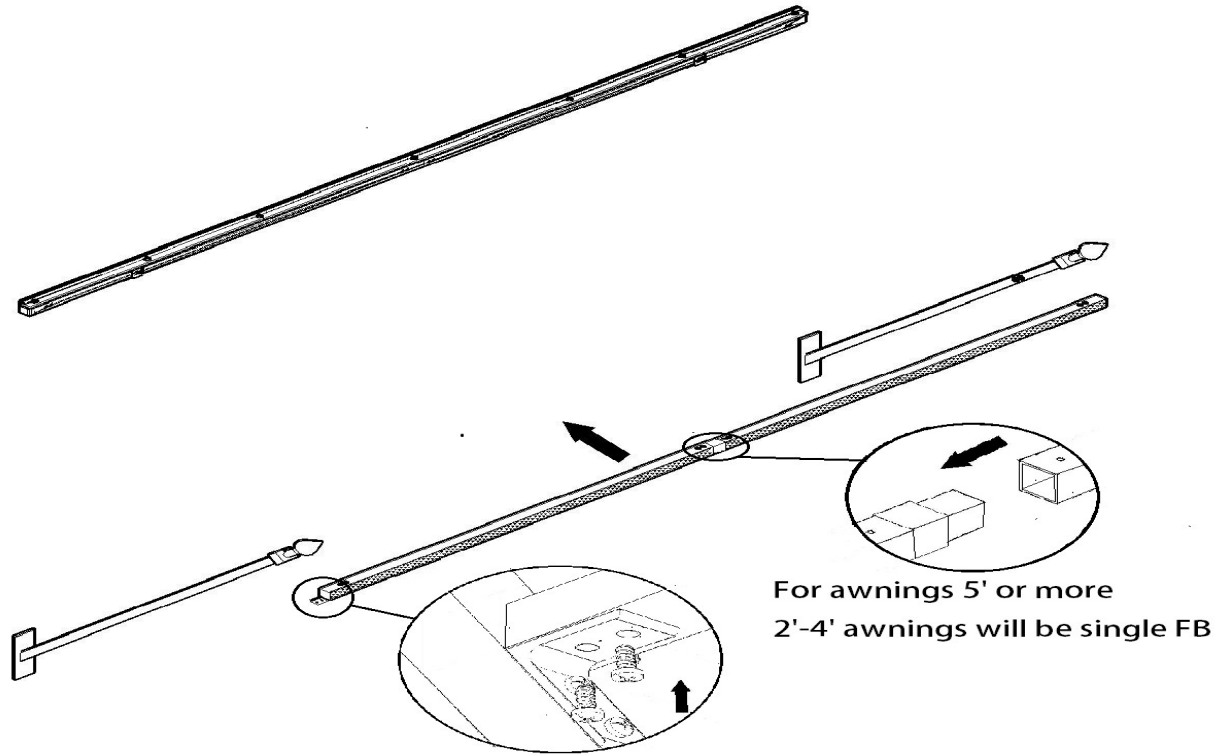
NOTE: YOU WILL FIND THAT THE FITTINGS HAVE BEEN PRE-INSTALLED, AS WE HAVE PRE-ASSEMBLED AND INSPECTED IT FOR YOU IN THE FACTORY.

**New Orleans frame must be installed on the wall as there is no connecting part between Spear Arm (SA) and Top Bar (TB)**

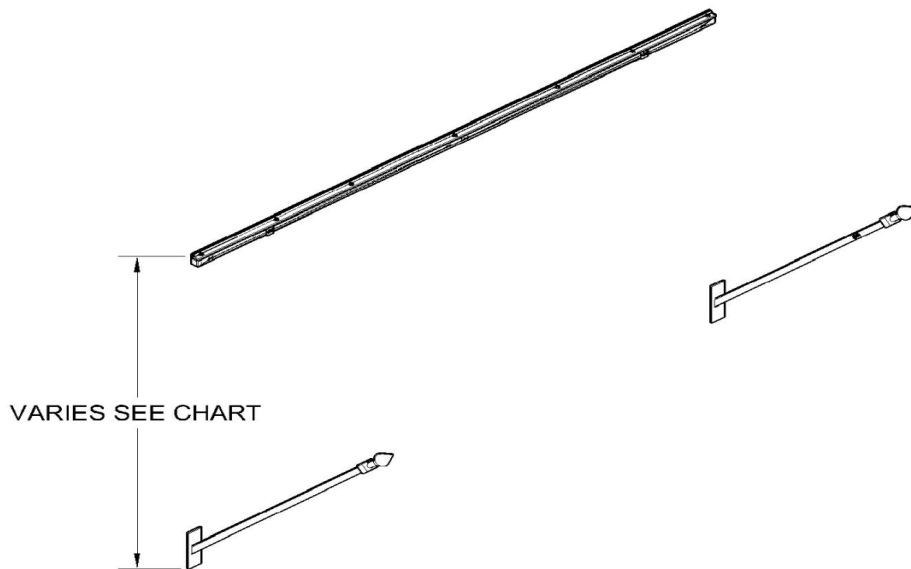
**STEP 1:** Separate all of the parts, so they will be easy to assemble. Please refer to Parts chart for quantities for each part. (pg. 2)



**STEP 2:** The Top Bar (TB) must be installed first. Mount Provided Z-Brackets to surface, and insert TB into brackets. The C-Channel must be close to the wall. Before installing the TB you must make sure that there is enough space below to install BP. Please keep in mind there will be no pre-drilled holes on the (TB) for the Z-Brackets so you can have the flexibility to place them where they are needed. (Please see the chart below for the height measurements)



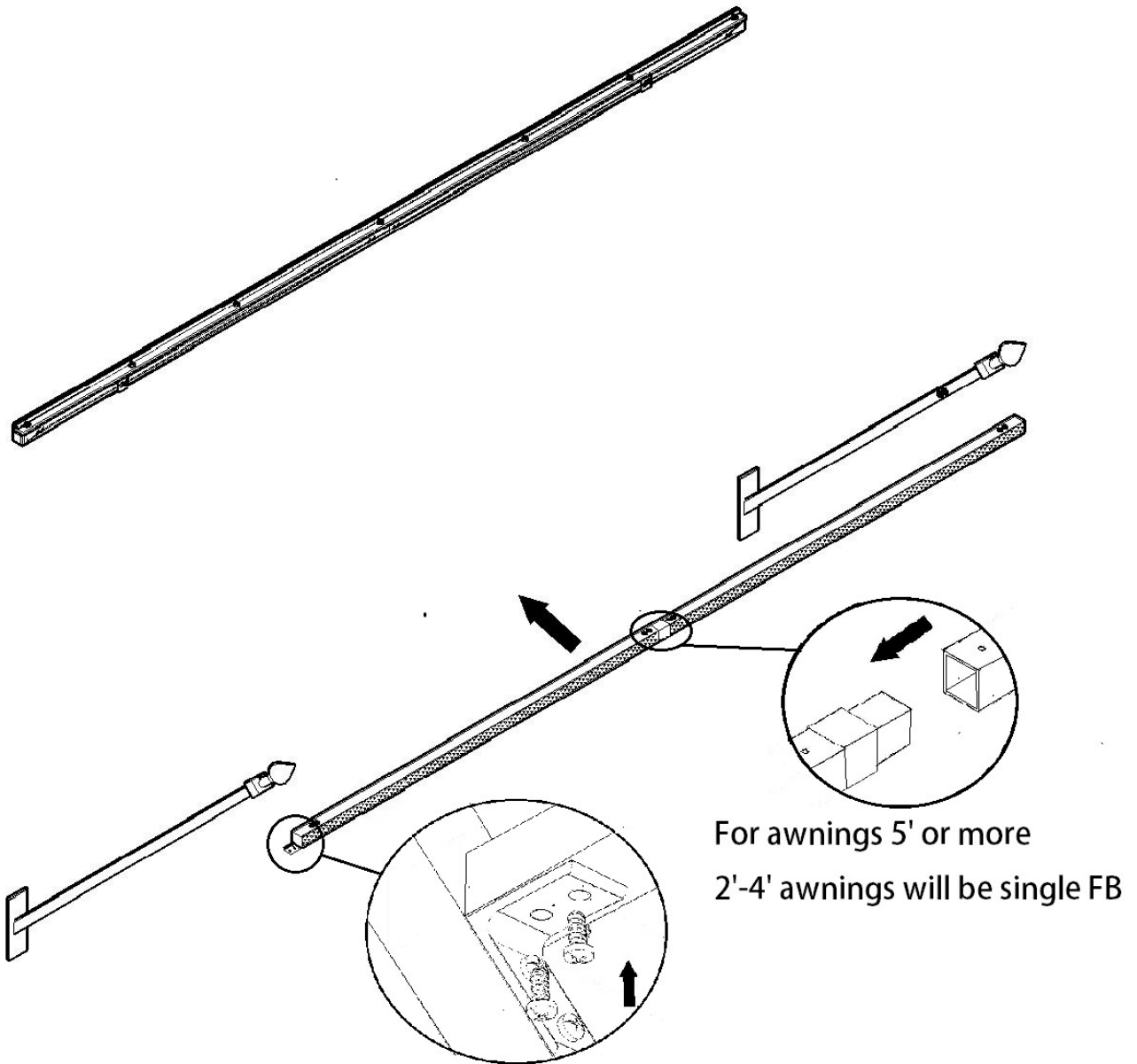
**STEP 3:** Install the BP & SA to the mounting surface. The space between the top of the (TB) and the bottom of the (SA) is indicated below.



\*\*\*all the sizes are in inches

Model	Space between TB and SA - Total Height	Actual Canopy incl. Valance	Projection
NO21	24	19	16
NO32	36	25	24
NO43	48	31	32

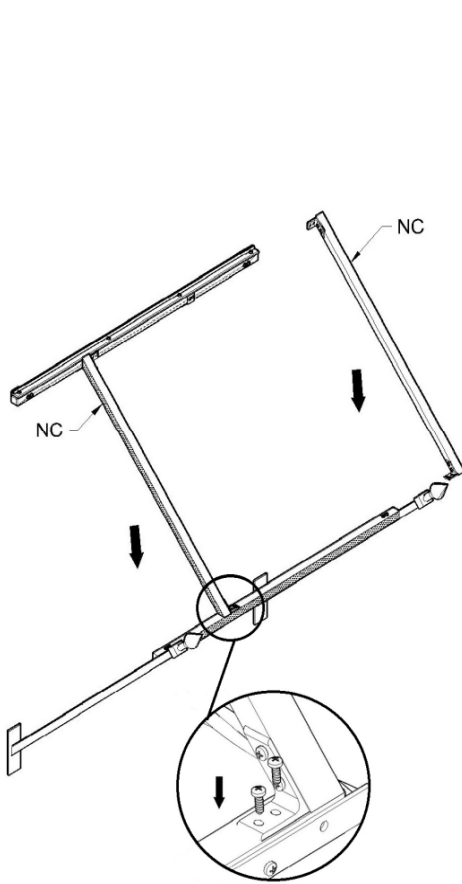
**Step 4:** Install the Front Bar (FB) to the Spear arms (SA). Secure with self-tapping screws. Velcro will face out.



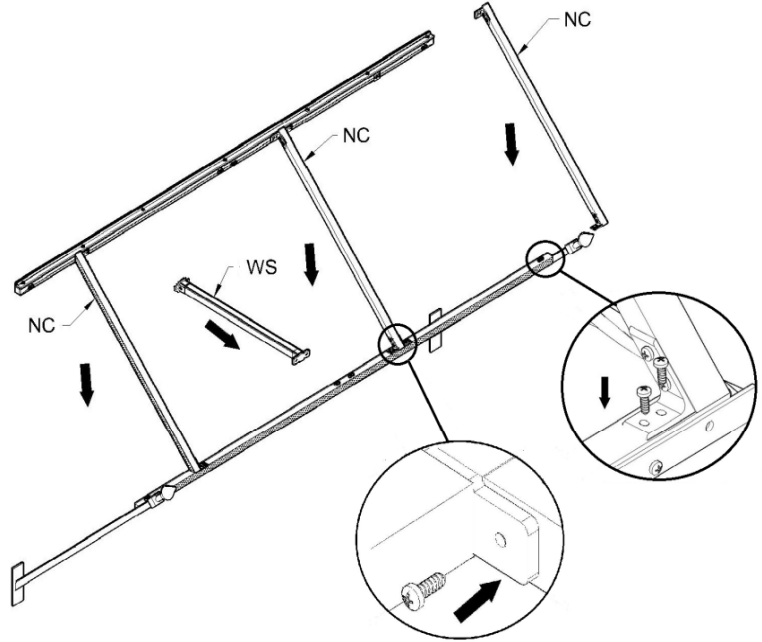
**STEP 4:** Install the NC (left and right) with arrow facing upwards. Secure them with self-tapping screws, the holes on the (FB) and (TB) are pre-drilled. Make sure that the Velcro on NCs is facing inwards.

Note: If the awning is larger than 4' (52.5") wide then you must install additional (NCs) and (WSs) to complete the frame assembly and installation. (WSs) will not have pre-drilled holes on the front bar frame. You'll use self tapping screws to secure the (WSs) to the back end of the front bar wherever space is available.

**Frame 2'-4'**

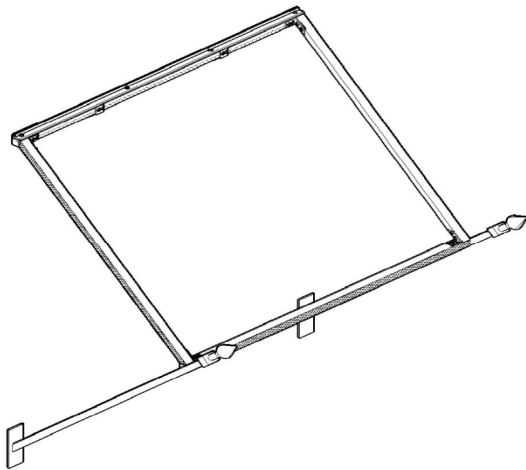


**Frame 5'-7'**

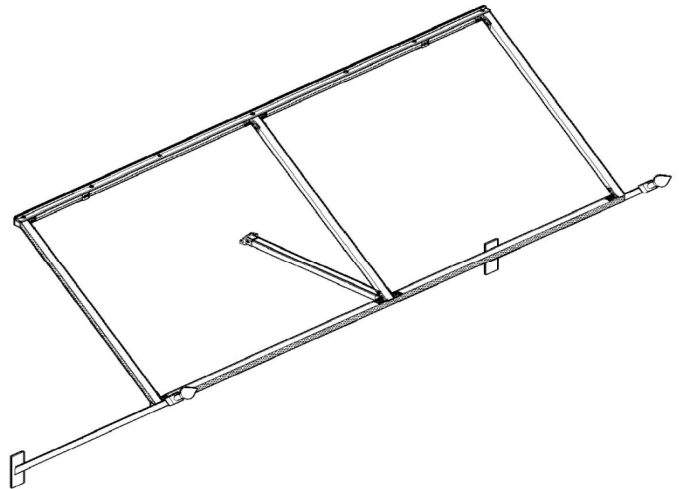


The Frame for New Orleans is complete.

**Frame 2'-4'**

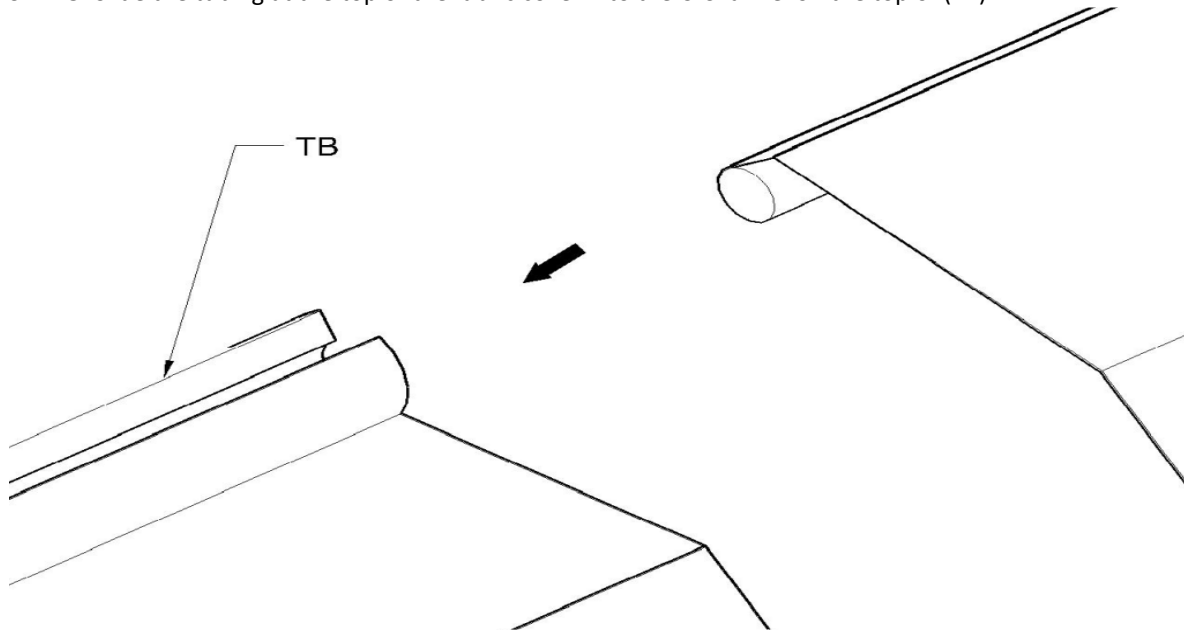


**Frame 5'-7'**



**INSTALLING THE COVER**

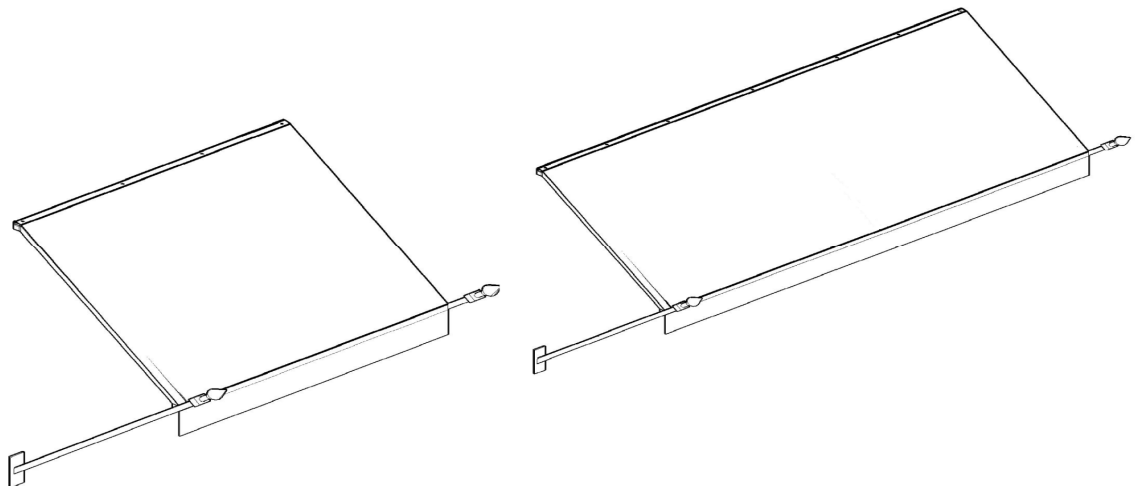
**STEP 5:** Slide the tubing at the top of the fabric cover into the C-Channel on the top of (TB).



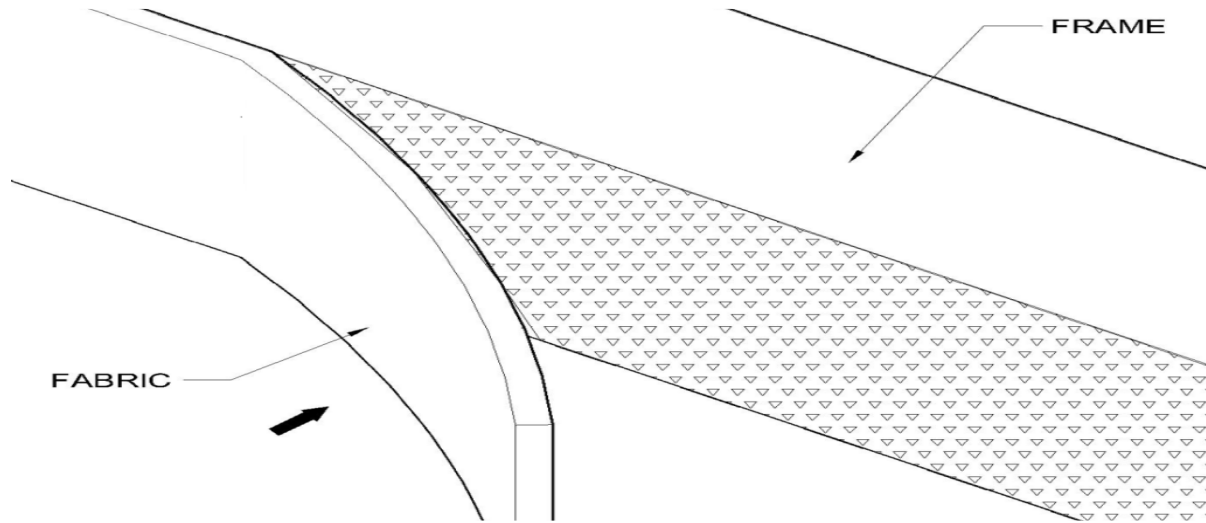
**STEP 6:** Pull the remainder of fabric over the frame with the valance hanging down below the (NC) and (FB) bars.

**Frame 2'-4'**

**Frame 5'-7'**



**STEP 7:** Once you are satisfied with the position of the cover, Pull the tabs snugly and attach them to the pre-installed Velcro tape on the bars.



**NORMAL WEAR & TEAR:**

The weather in certain regions of the country contributes to wear and tear of the awnings. If you live in these areas (High maintenance areas: FL, TX, NM, AZ, NV or high-altitude areas) weather conditions (including sun) can take a toll. Normal wear and tear is not covered in our warranty and should be expected. Damages caused by improper anchoring, strong winds, snow or ice are not considered defects. We offer replacement fabric at affordable prices

**CLEANING & CARE:**

Awnings should be cleaned at least once a year in low maintenance areas or twice a year in high maintenance areas (see high maintenance areas above). Cleaning consists of brushing off debris with broom, brushing on a non-detergent cleaning compound (such as a solution of 1-part vinegar to 1-part water), allowing the awnings to sit for 20 minutes, and then rinsing. Remember that your awning is an exterior product; You'll need to clean your awning to preserve and extend its beauty and life. Please refer to the cleaning and care chart below if you acquire a stain from one of the ingredients on the list.

**CLEANING CHART FOR TYPICAL AWNING STAINS**

STAIN	RECOMMENDED CLEANING SOLUTIONS
CHARCOAL	Vacuum, then liquid detergent
CHEWING GUM	Acetone
SODA	Liquid detergent
CAR GREASE	Acetone
IRON RUST	Oxalic or citrus acids, water
MILDEW	1 cup of bleach and ¼ mild soap per gallon of water
OIL	Acetone
PAINT (LATEX) WET	Liquid detergent, water
PAINT (LATEX) DRIED	Paint, oil or grease remover
PAINT (OIL OR LACQUER)	Paint, oil or grease remover
SUNTAN LOTION	Pine Power® or pine oil detergent
TREE SAP	Turpentine, liquid detergent