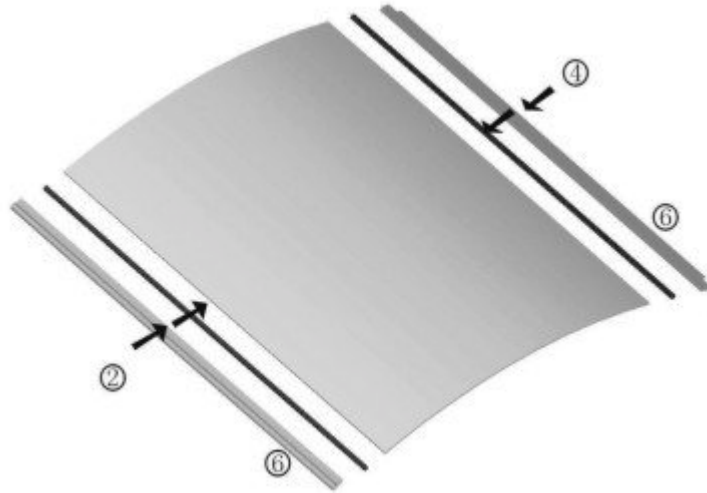


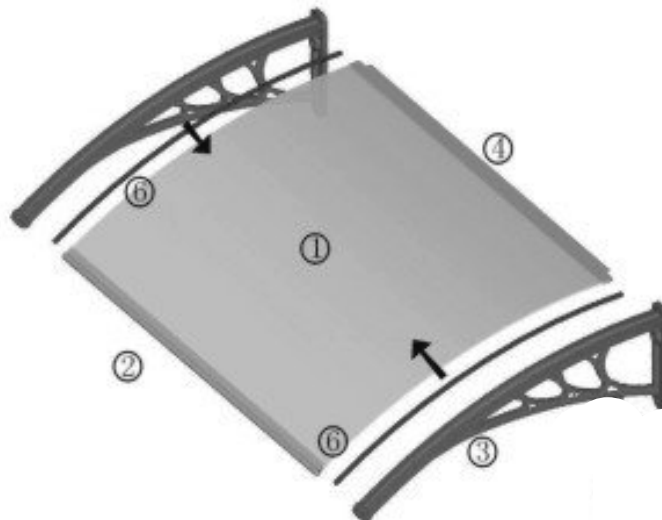
PC1200AL Series Door Canopy Assembly and Installation Instructions



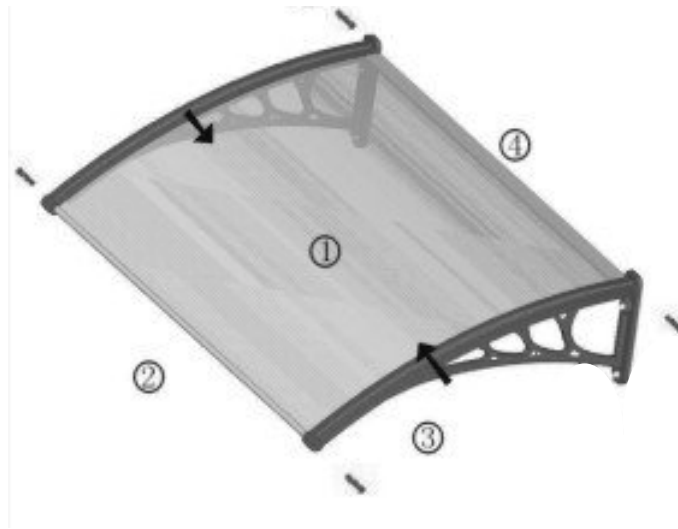
Peel the protective film back about 1 inch from all four edges on both sides of the polycarbonate sheet. Install the front and back rubber seals.

Install the front bar (with the rounded front edge).

Install the back bar (the flat surface of the back bar should be on the same side as the non-transparent protective film on the polycarbonate sheet).



Install the left and right rubber seals. Install the left bracket. It might be easier to align the polycarbonate sheet with the bracket groove if the bracket is lying on the floor and the sheet is in the vertical position. Use a rubber mallet if necessary. Install the right bracket.



Drive the 4 small screws into the front and back aluminum bars through the holes in the brackets.

Install the canopy on the wall using fasteners appropriate for your siding and wall construction. Make sure that the canopy is attached to structural framing. Depending on the mounting surface and the location of structural framing members, a ledger board may be required.

Use exterior grade caulk to seal the top of the canopy against the wall. Remove the protective film.

Connecting Multiple Canopies or Canopies with Multiple PC Sheets

To connect the next part of the canopy, insert the next back aluminum bar into the next bracket and insert this assembly into the bracket of the previous canopy, which will be the connecting bracket. Mark holes for the next canopy bracket. Make sure that the bracket will be attached to structural framing. Remove the bracket with the back aluminum bar and drill pilot holes.

Assemble the next polycarbonate sheet with the rubber seals, the front and back aluminum bars, and the bracket on the side opposite to the connection. Drive 2 small screws into the front and back aluminum bars through the holes in the bracket. Insert the assembly into the empty groove in the bracket of the previous canopy. Use a rubber mallet if necessary.

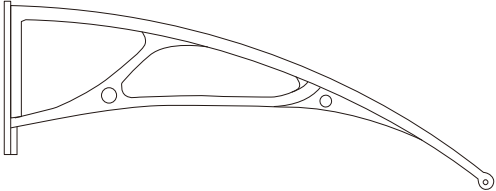
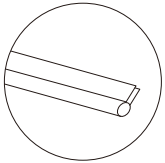
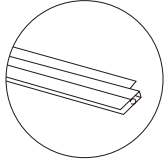
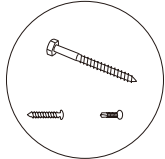
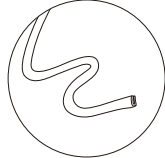

Secure the bracket to the wall using appropriate fasteners.



Secure the last front aluminum bar in the connecting bracket by drilling a pilot hole through the bracket and the front bar and driving a small screw into the front bar as shown.

Part list

*Quantities depend on canopy size

	Aluminum bracket
	Front aluminum bar
	Back aluminum bar
	Set screws Small screws
	Rubber seals
	Polycarbonate sheet