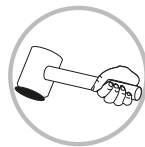
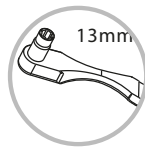
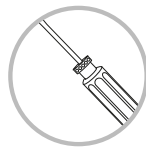
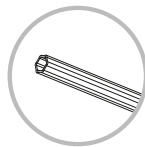
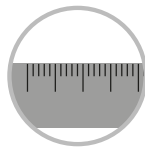
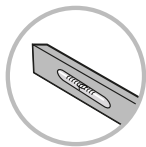
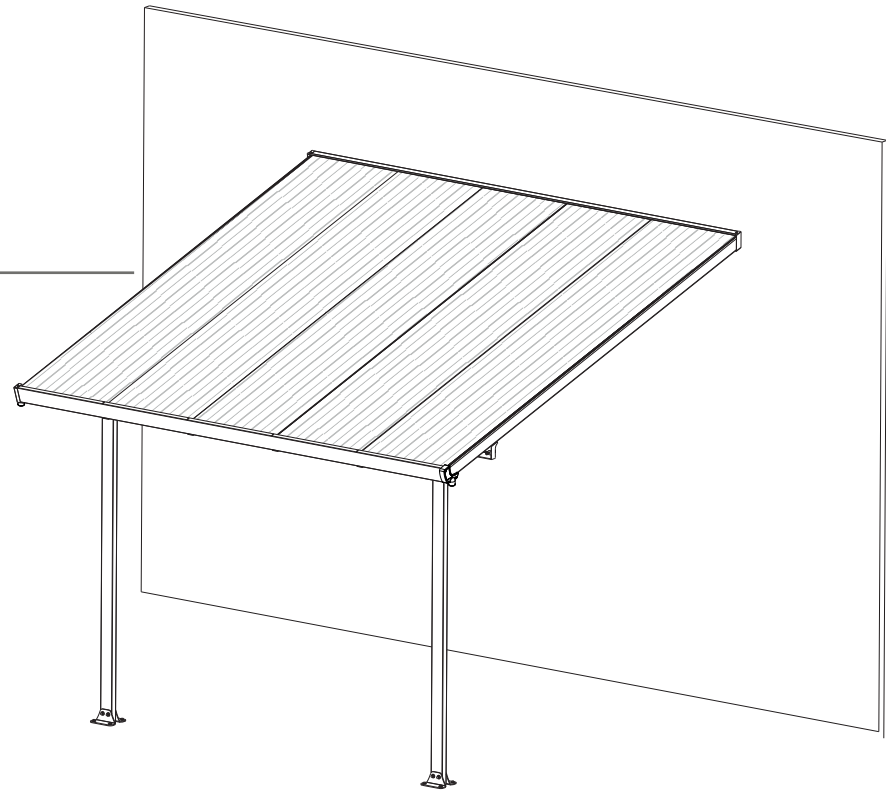


Assembly Instructions

PC3000 Series Patio Cover
300 L x 300 W cm / 118"L x 118"W



IMPORTANT

Please read these instructions carefully before you start to assemble this patio cover.
Please carry out the steps in the order set out in these instructions.
Keep these instructions in a safe place for future reference.

⇒ Care and Safety advice

- Please follow the instructions as listed in this manual.
- Sort the parts and check the list of contents.
- For safety purposes we strongly recommend that the product will be assembled by at least two people.
- Some parts have metal edges. Please be careful when handling components. Always wear gloves, shoes and safety goggles during assembly.
- Do not attempt to assemble the product in windy or wet conditions.
- Dispose of all plastic bags safely – keep them out of reach of small children.
- Keep children away from the assembly area.
- Do not attempt to assemble the product if you are tired, have taken drugs, medications or alcohol, or if you are prone to dizzy spells.
- When using a stepladder or power tools, ensure that you follow the manufacturer's safety advice.
- Do not climb or stand on the roof.
- Heavy articles should not be leaned against the poles.
- Do not hang or lay on the profiles.
- Please consult your local authorities if any permits are required to construct the product.
- Keep roof and gutter clean of snow, dirt & leaves.
- Heavy amounts of snow on roof can damage the product making it unsafe to stand below or nearby.
- This product was designed and produced to be a **patio cover** only.

Some versions of this product are painted.

If color was scratched during assembly it can be fixed with the following tints:

White – RAL 9016

Gray – RAL 7012

⇒ Cleaning instructions

When your product needs cleaning, use a mild detergent solution and rinse with cold clean water.

Do not use acetone, abrasive cleaners, or others special detergents to clean the panel.

⇒ Before starting assembly

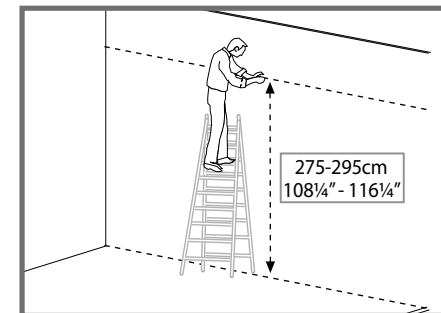
- This product must be assembled on a solid base (such as concrete).
- Choose your site carefully before beginning assembly.
Site surface (mainly below poles) needs to be level.
- During assembly use a soft platform below the parts to avoid scratches and damages.

⇒ Product dimensions adjusting

Product dimensions can be adjusted to your specific needs.

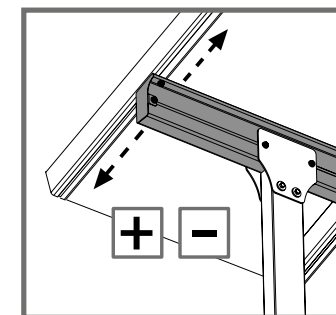
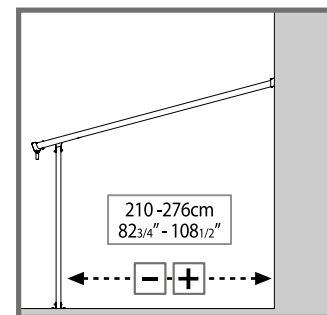
1. The wall-mounting profile (top-back) can be adjusted from 275 to 295 cm (108¼" to 116¼") above ground.

The adjusting is done when measuring and drilling (step 8).



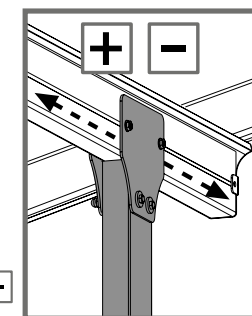
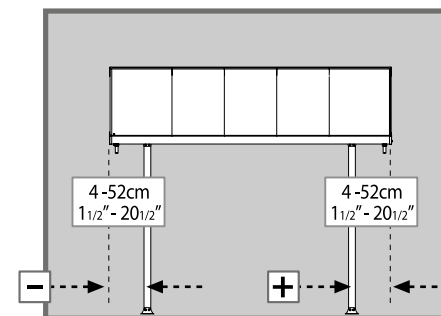
2. Poles distance from the wall can be adjusted from 210 to 276 cm (82¾" to 108½").

The adjusting is done after assembly and before anchoring (step 23) by sliding poles and profile 1041 at channels of roof profiles.

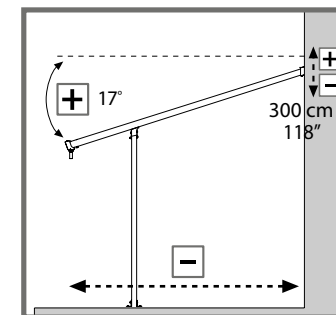
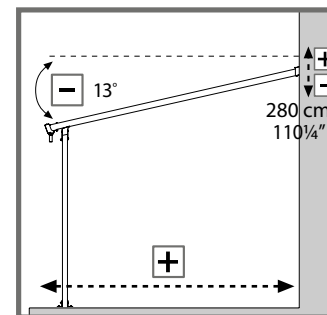


3. Poles distance from the side edges can be adjusted from 4 to 52 cm (1½" to 20½").







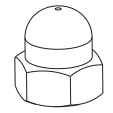

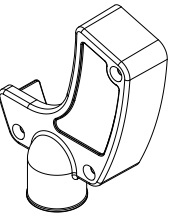
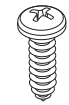
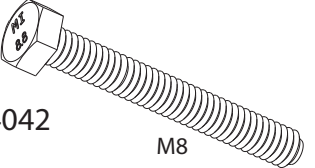
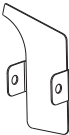
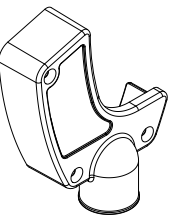
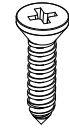
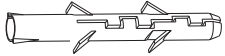



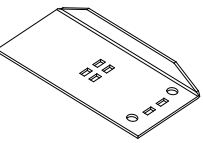
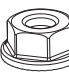
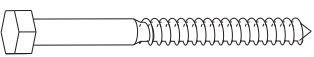
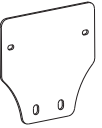
The adjusting is done after assembly and before anchoring (step 23) by sliding poles and connectors 937 at channel of profile 1041.



Note: Wall mounting and distance from the wall determine the roof angle and the total depth of the product (distance of gutter from the wall). Higher wall mounting and shorter distance between wall and poles increase the roof angle and shorten the total depth.



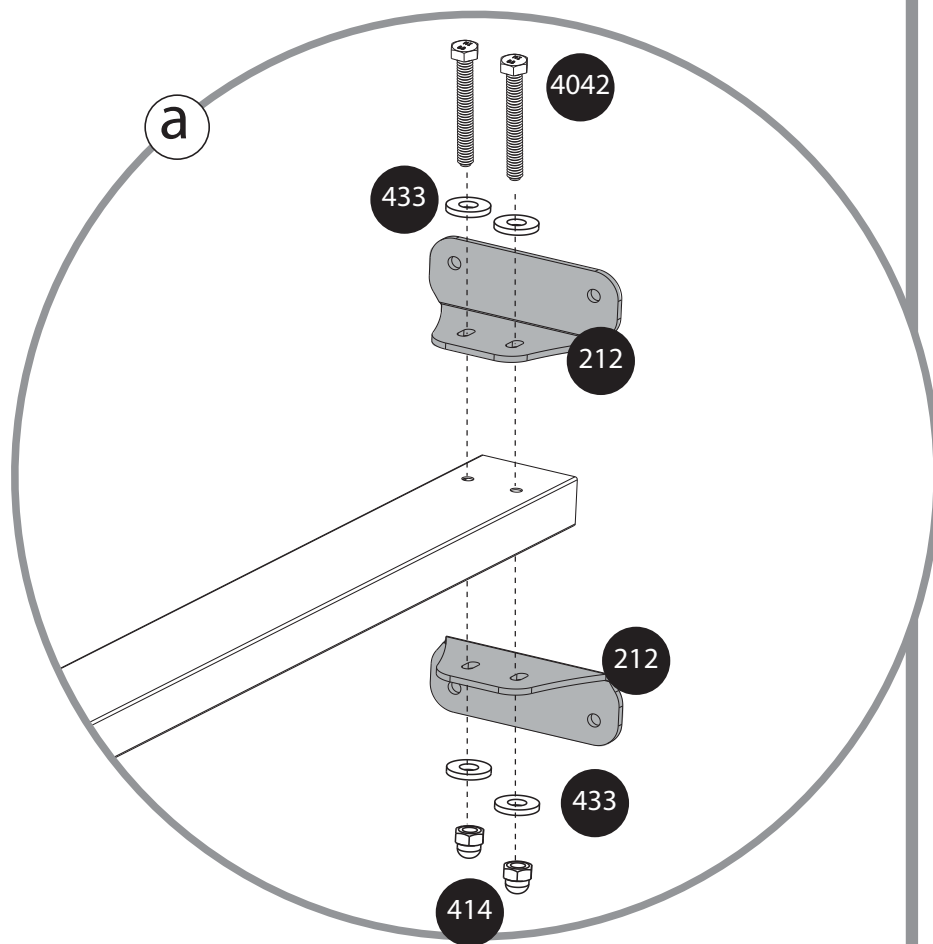
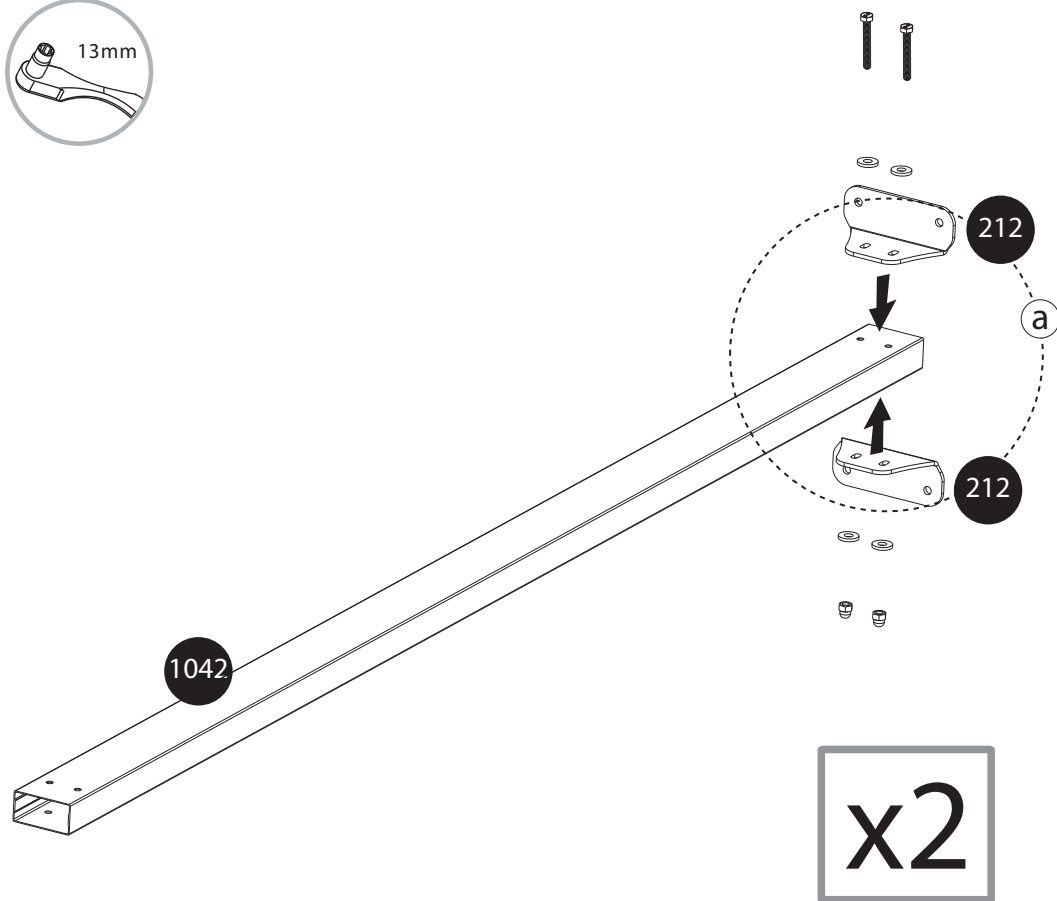
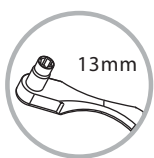
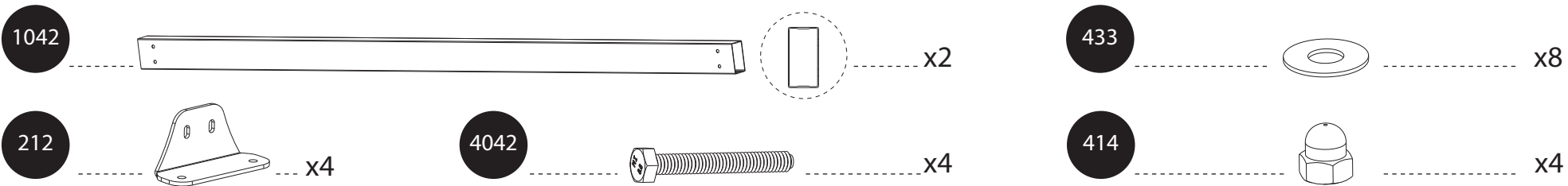
Contents

Item		Qty.	Item		Qty.	Item		Qty.	Item		Qty.			
422		4 (+1)	433		31 (+1)	950		1	212		4	T001		1
465		4 (+1)	414		8 (+1)	951		1	7028		1			
447		8 (+1)	4042		8 (+1)	947		1				7027		1
8708		6 (+1)	4010		14 (+1)	948		1						
411		30 (+4)	5000		12	7038		4						
466		30 (+4)	4000		14 (+1)	937		4						

Contents

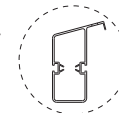
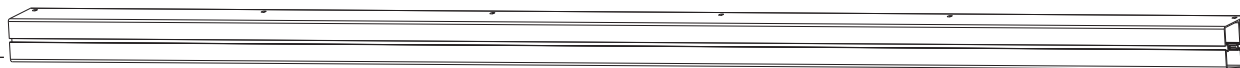
Item	Qty.	Item	Qty.
1041	1	900	1
1042	2	953	1
1043	4	954	1
1044	2	3018	5

1



2

1041

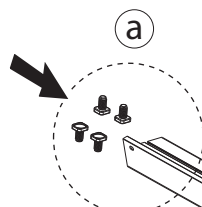


x1

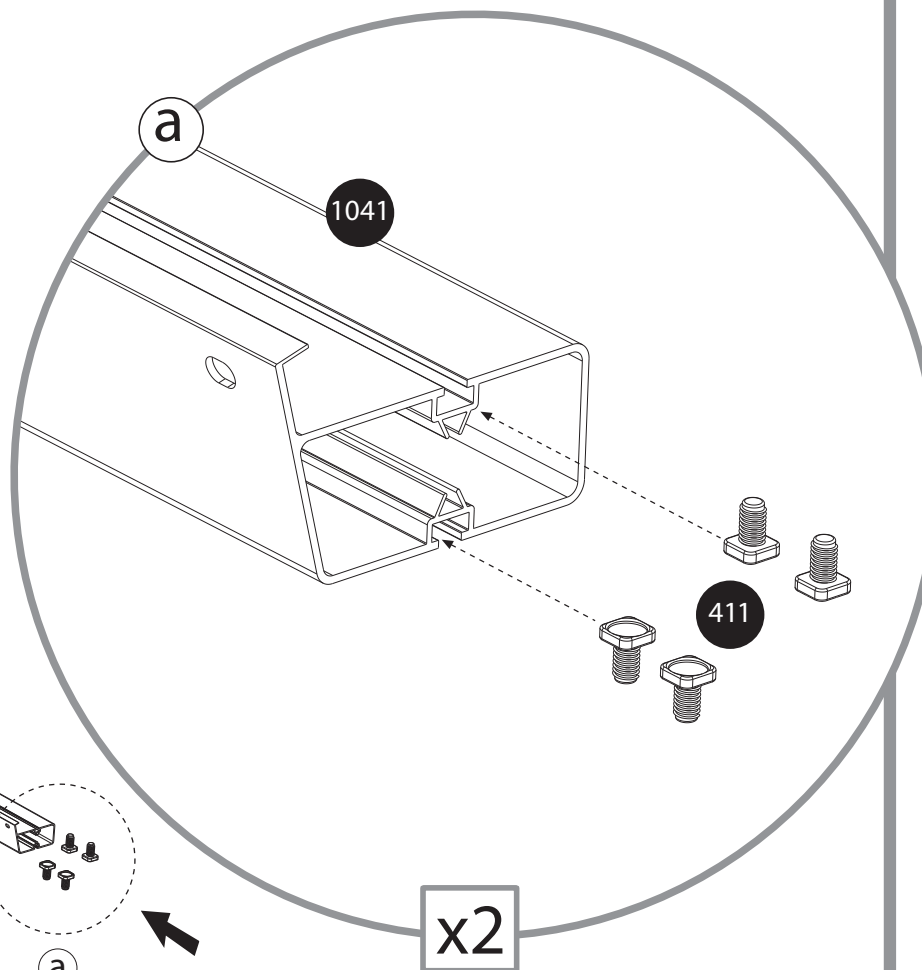
411



x8

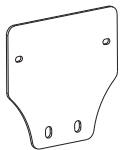


1041



x2

937

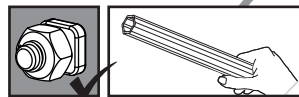


x4

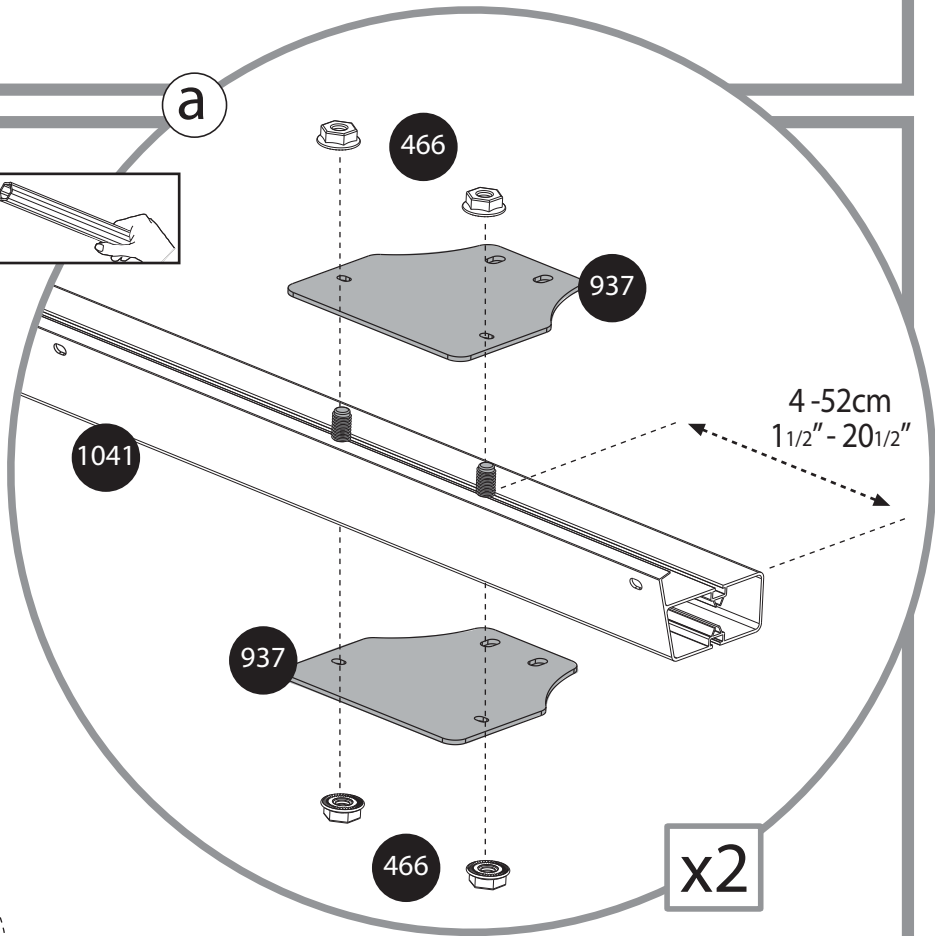
466



x8



a



a

937

937

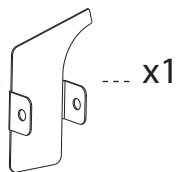
1041

a

937

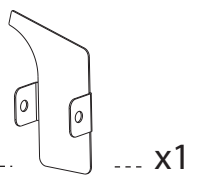
937

948



x1

947



x1

466

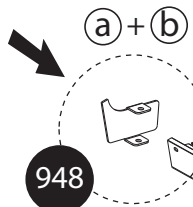
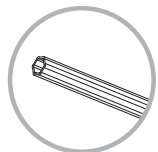


x4

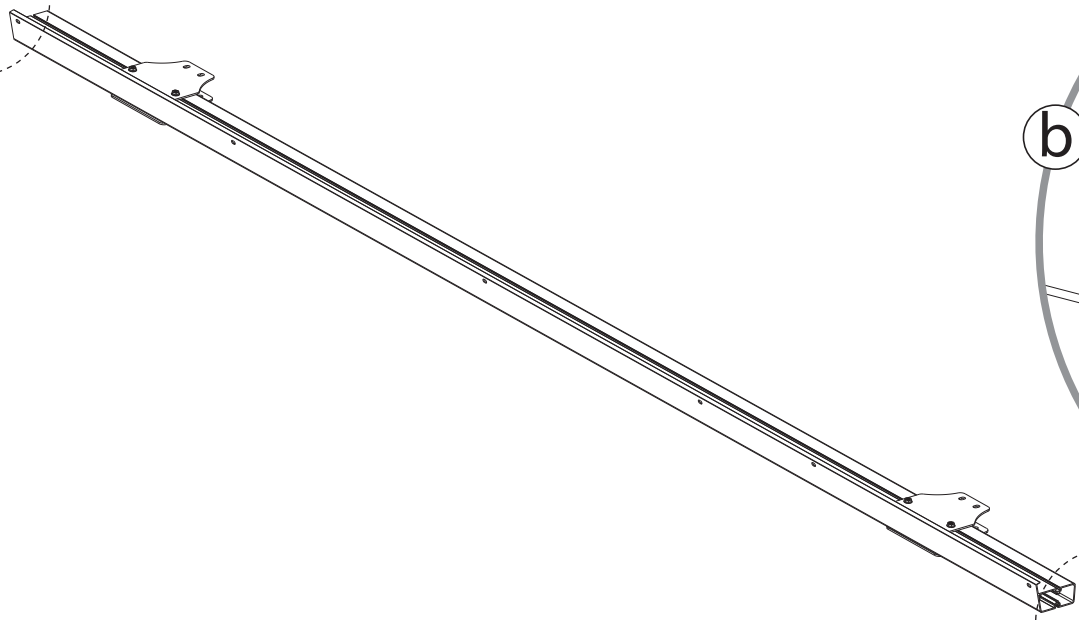
411



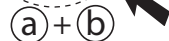
x4



948

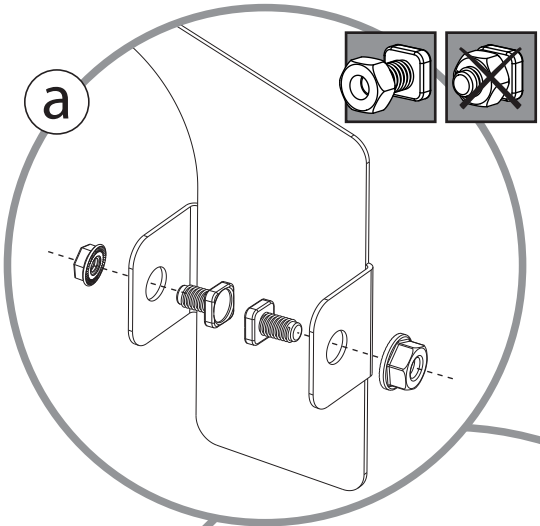


947

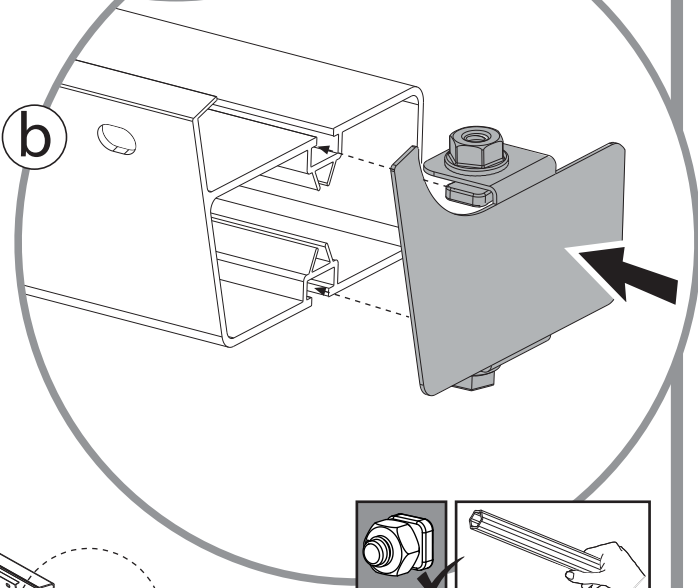


(a)+(b)

a



b



5



433



x8



4042

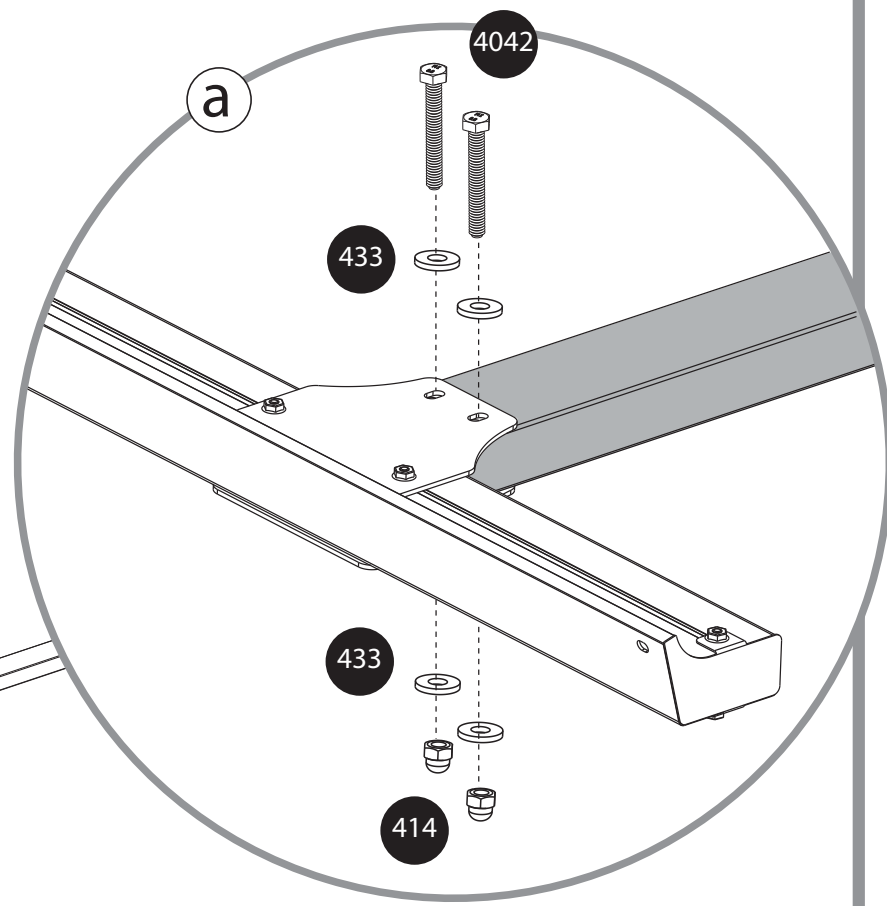
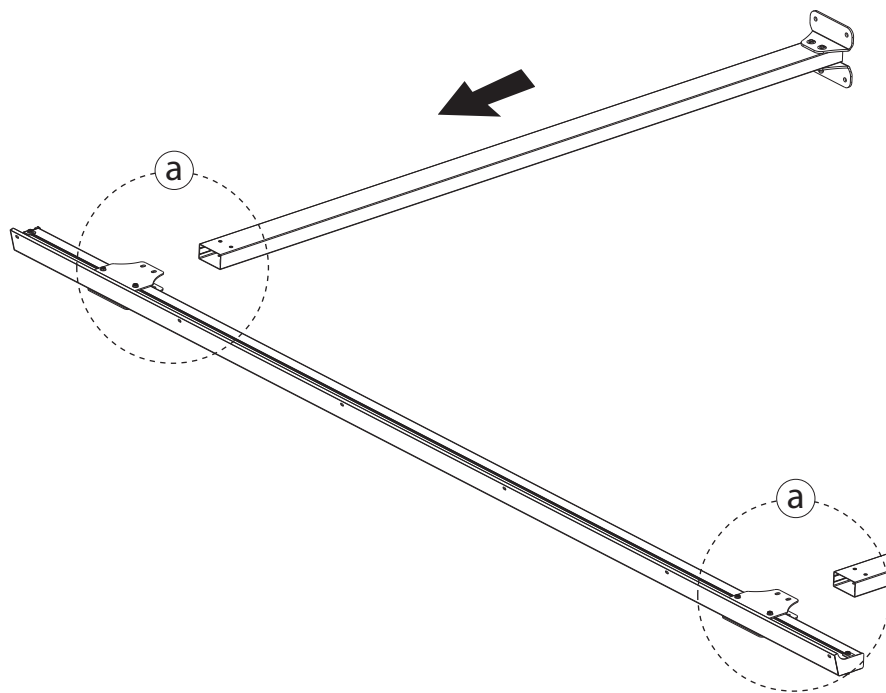
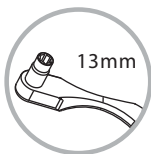


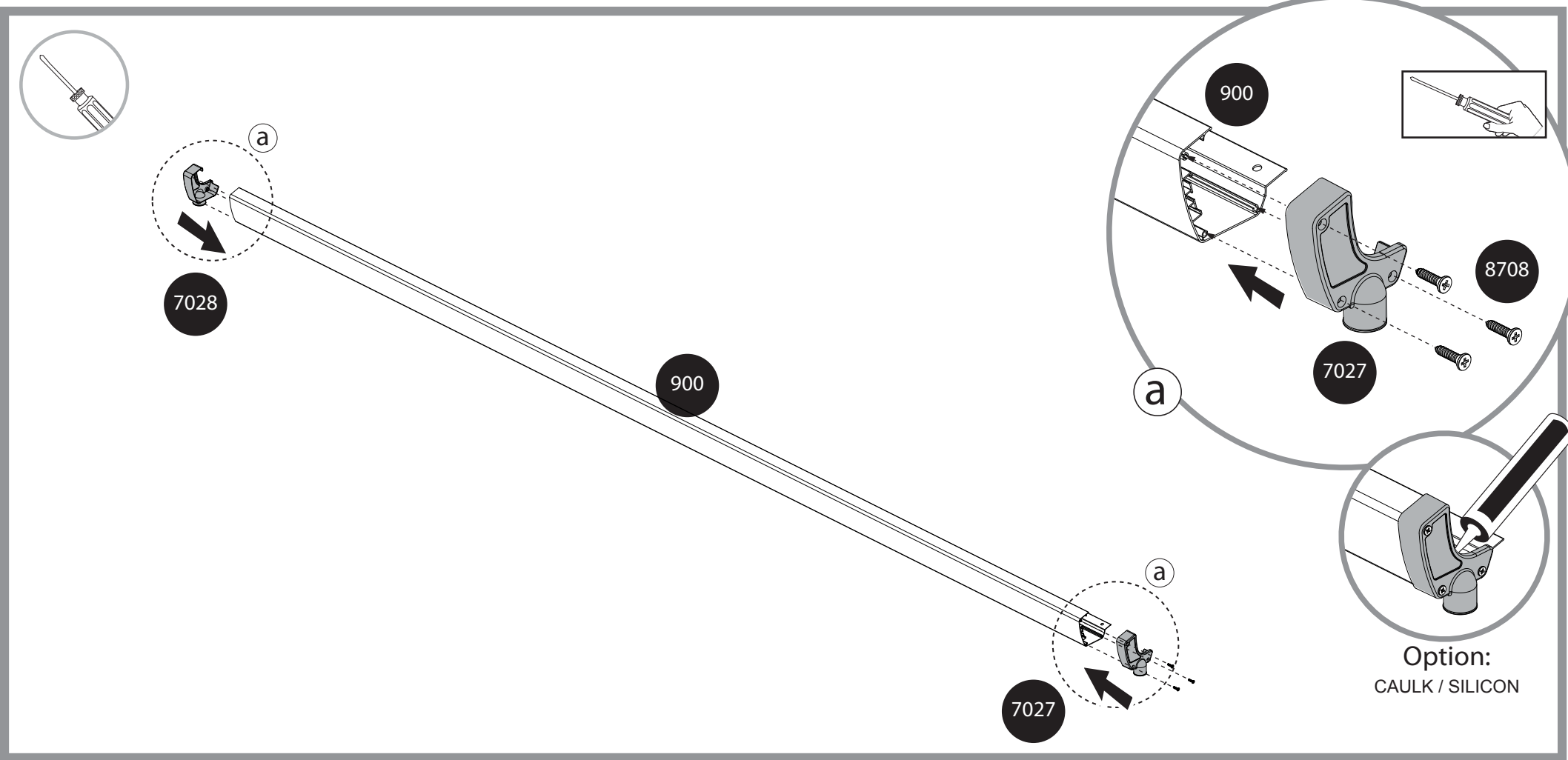
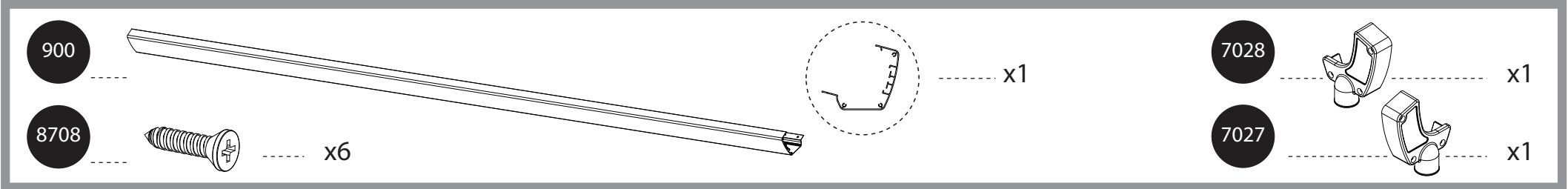
x4

414

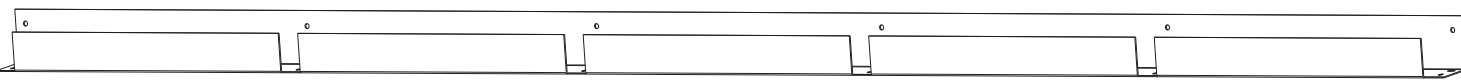


x4



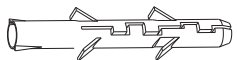


953

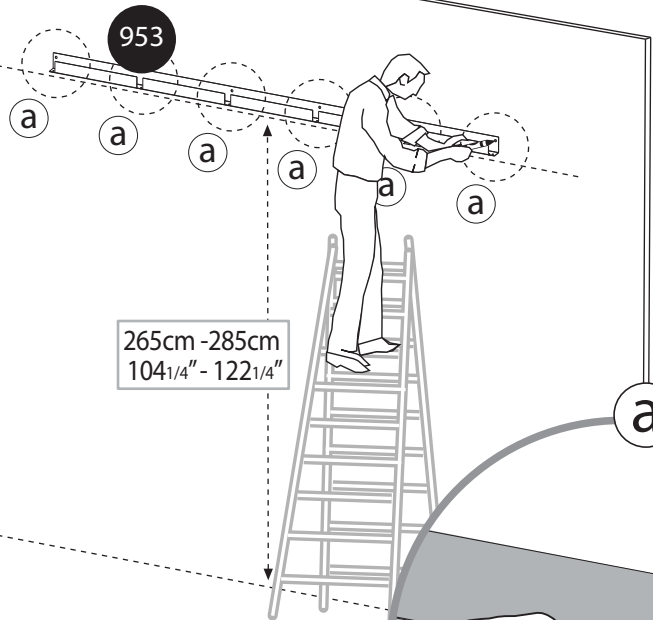
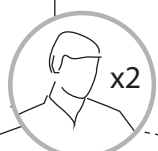
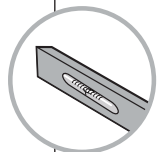
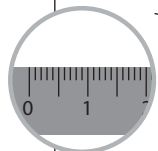
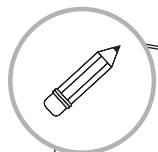


x1

4010

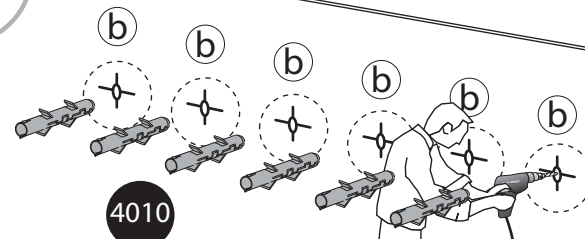
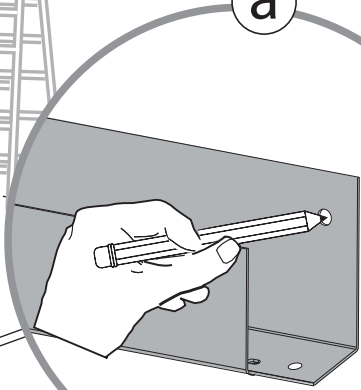


x6



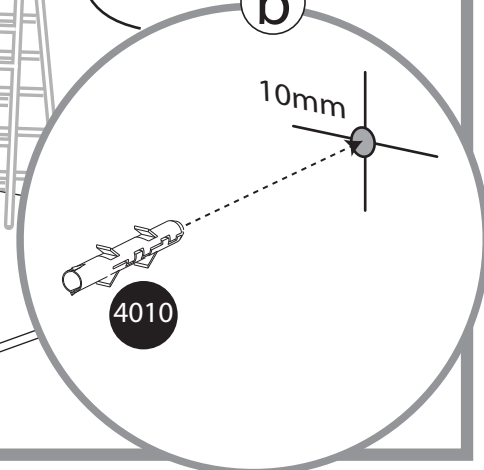
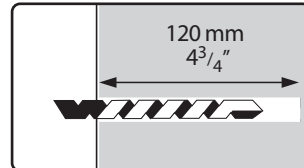
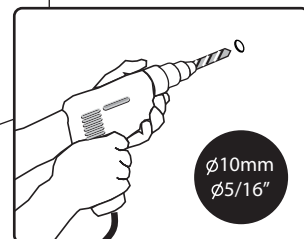
265cm - 285cm
104 1/4" - 122 1/4"

a



4010

b



4010

10mm

4000



x6

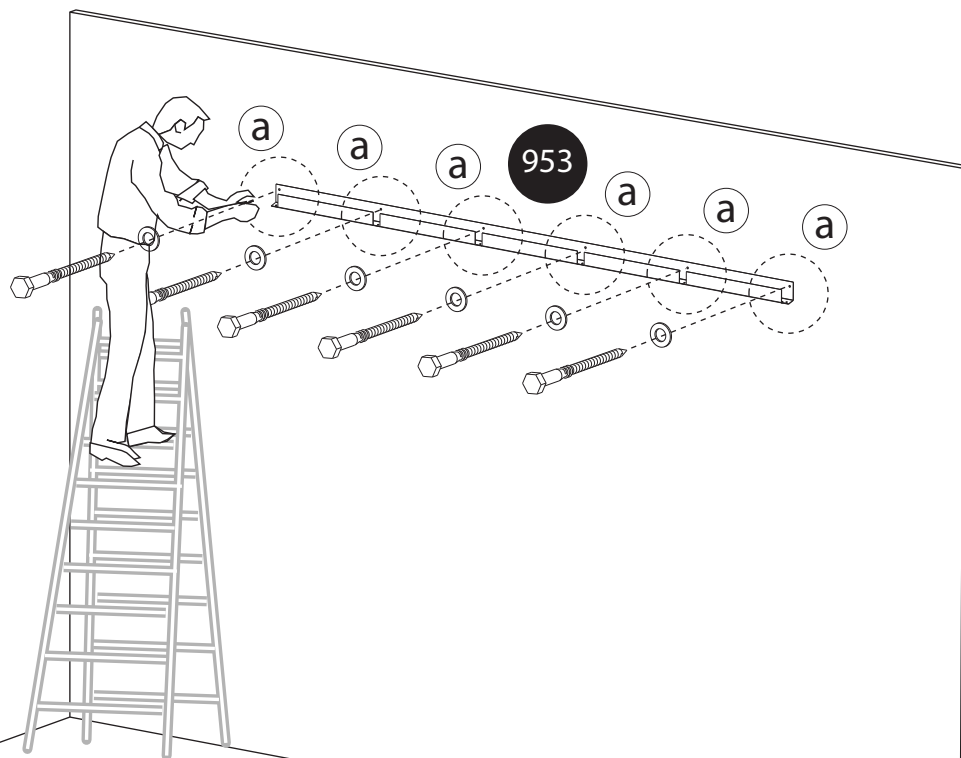
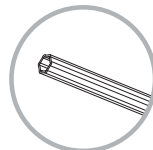
433



x6



x2

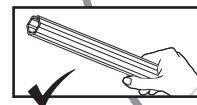


a

433

4000

953

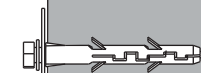


~3

mm



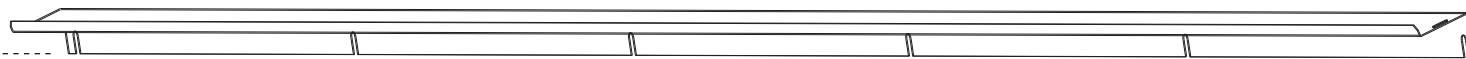
953



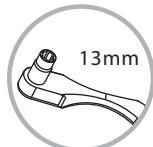
953



954



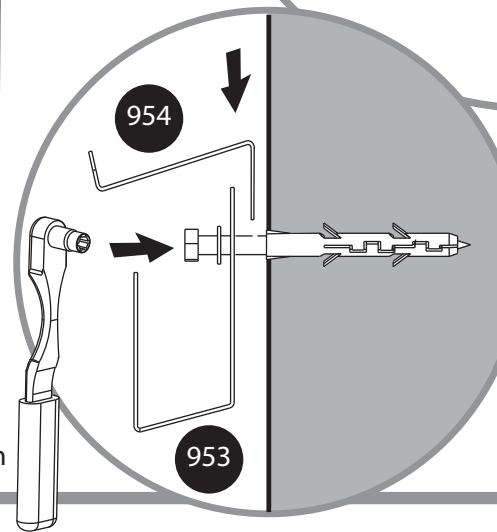
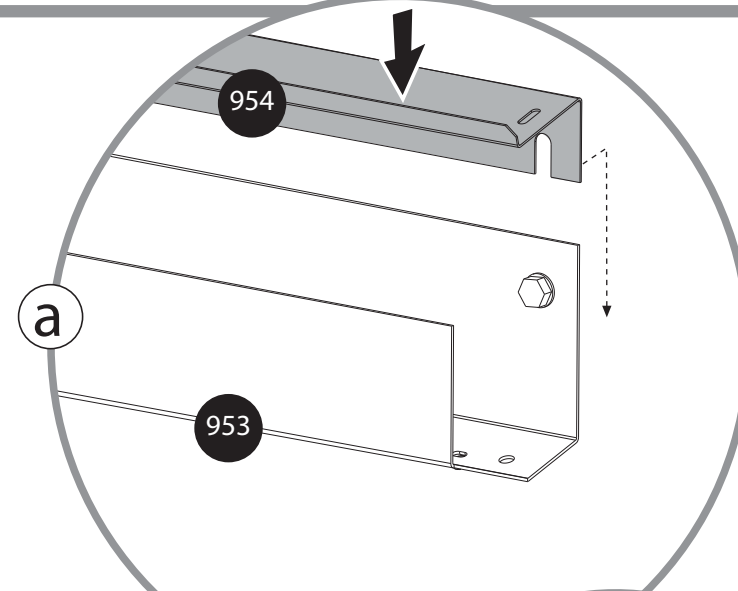
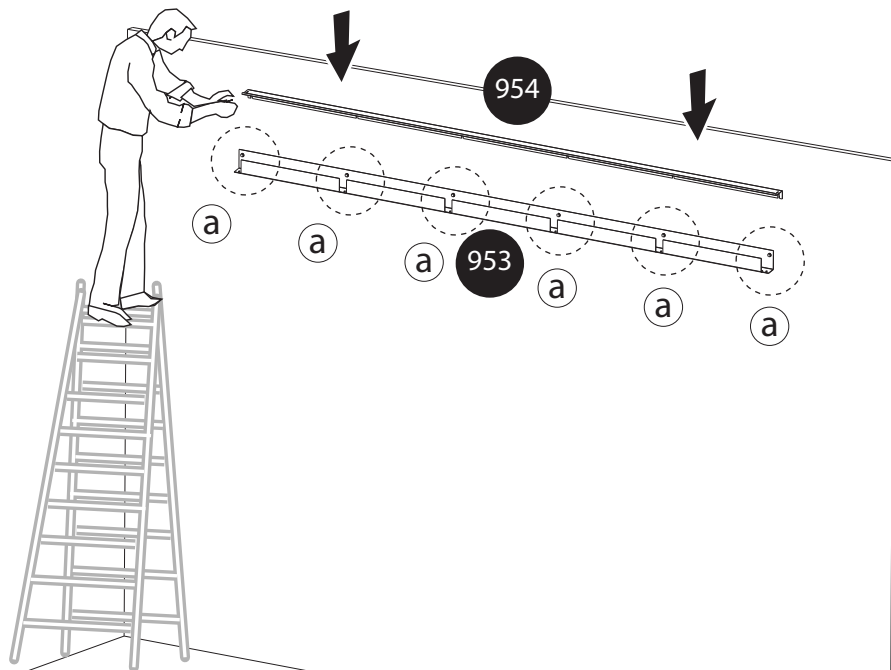
x1



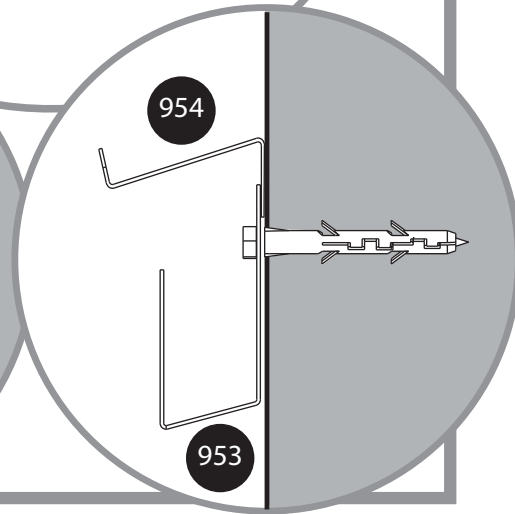
13mm

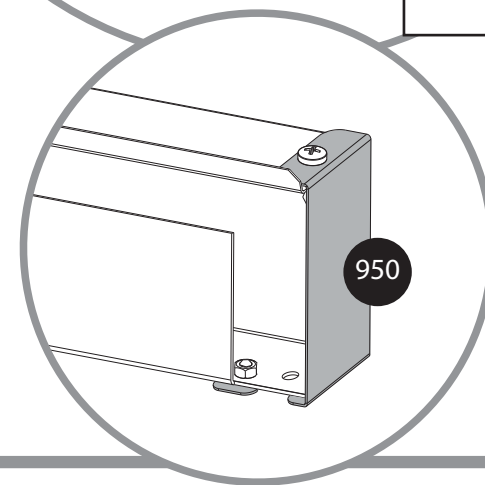
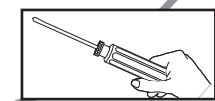
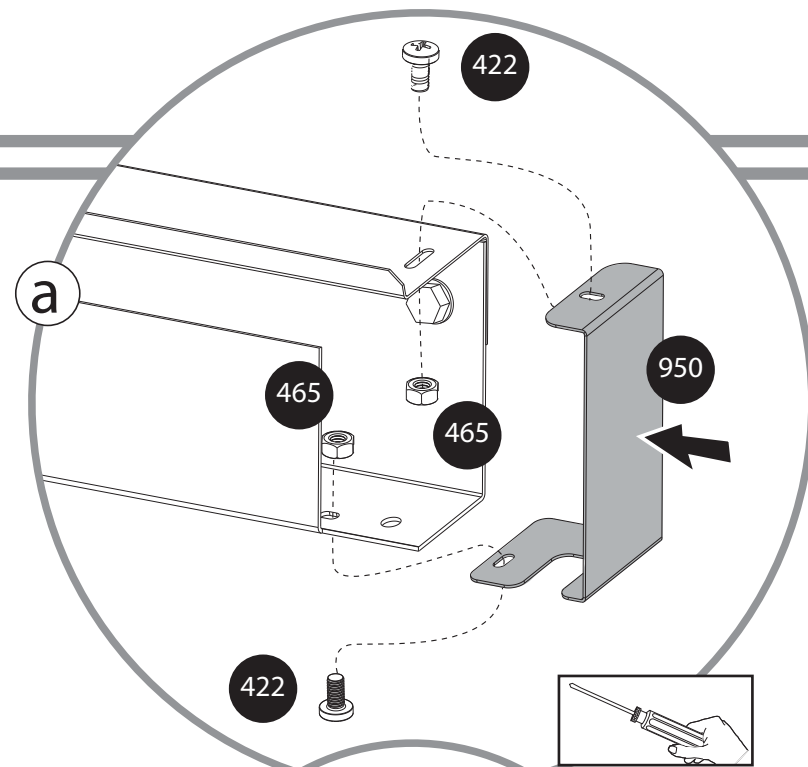
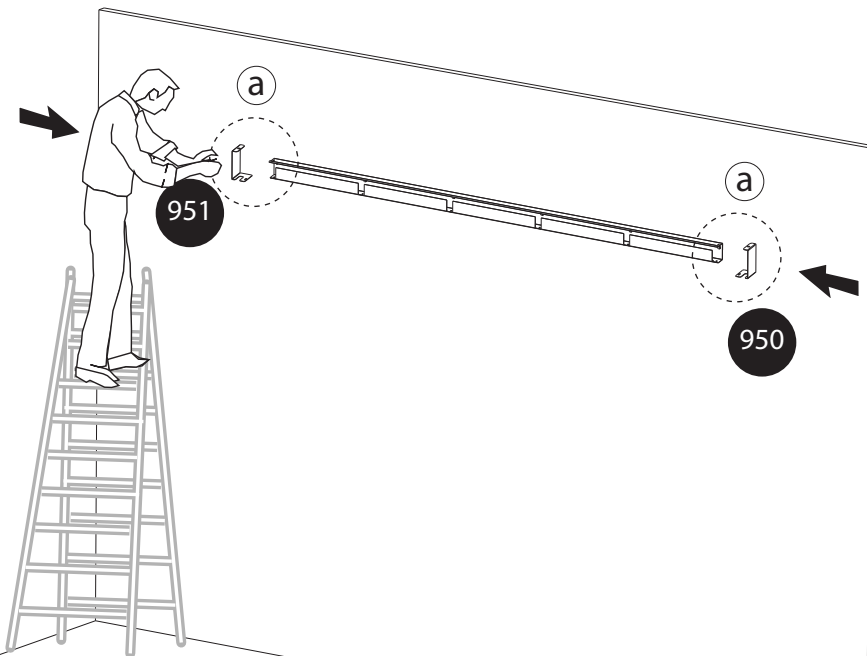
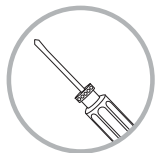
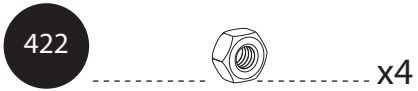


x2



13mm





466

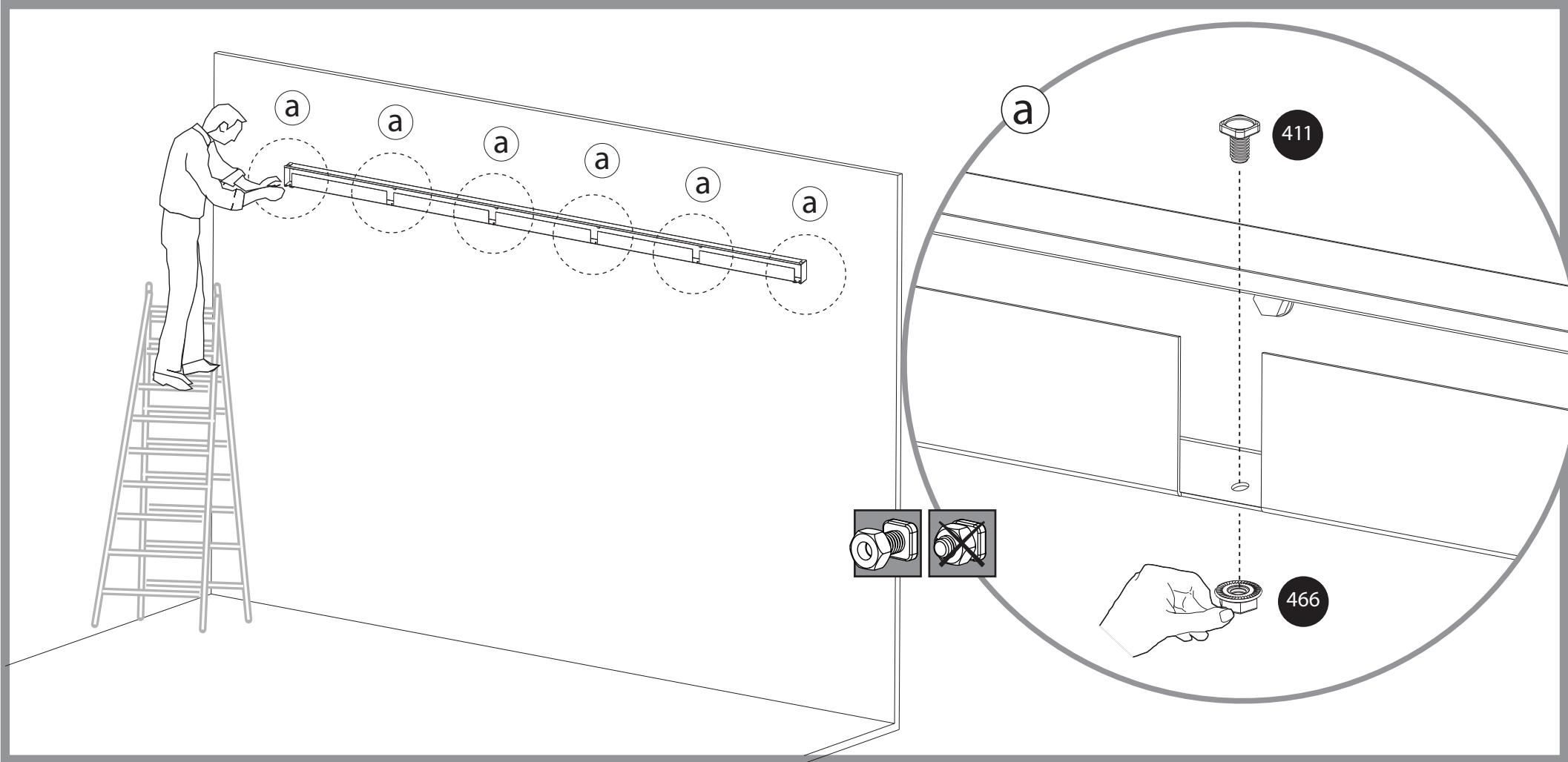


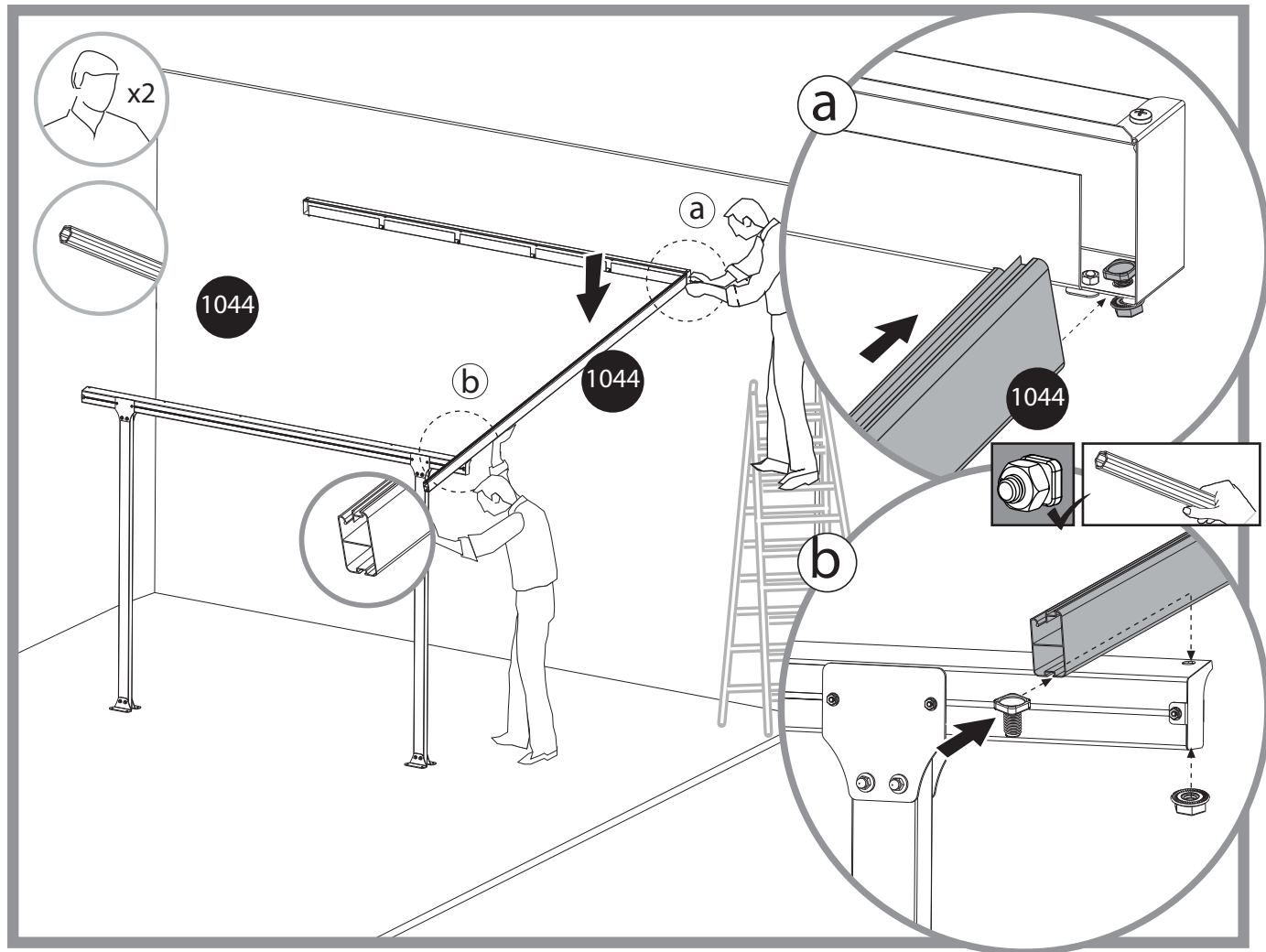
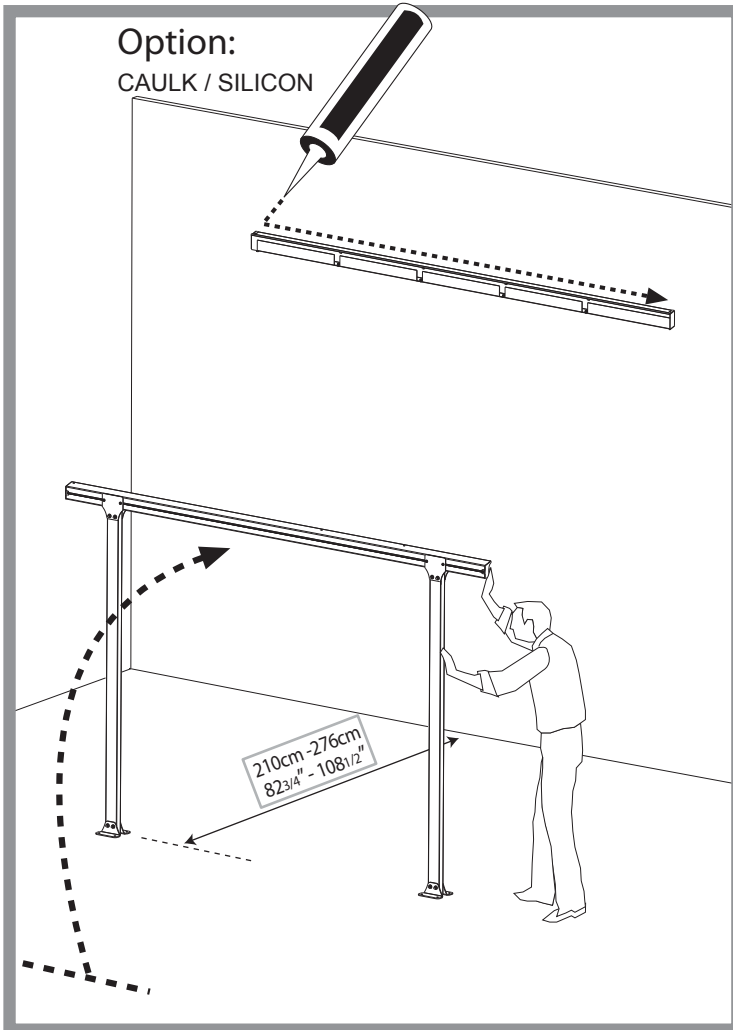
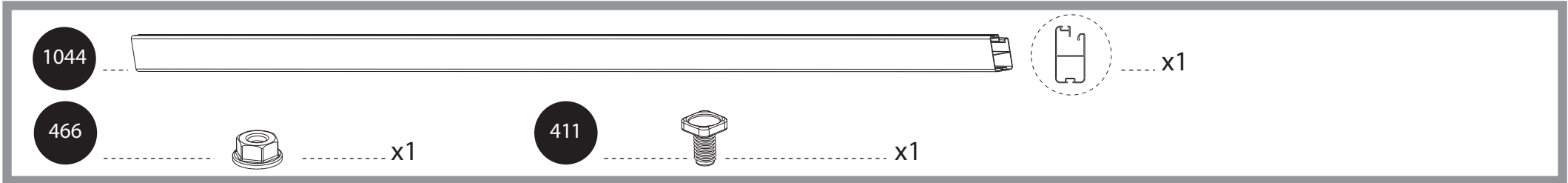
x6

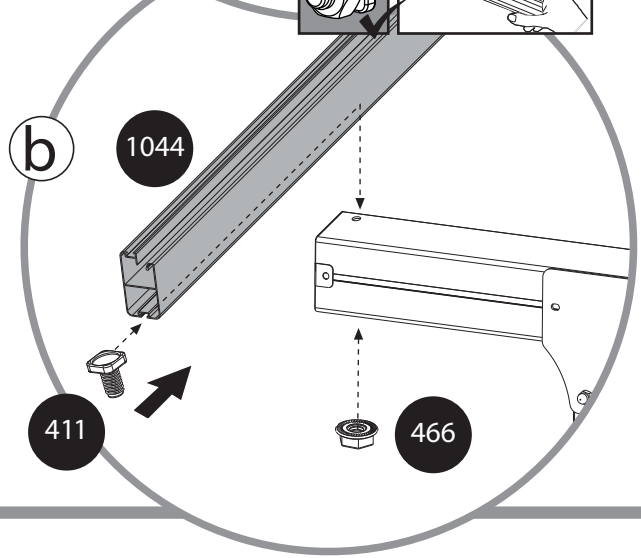
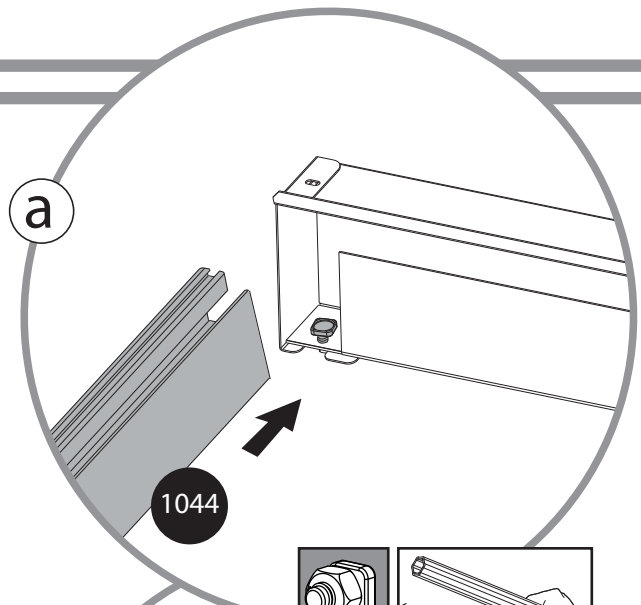
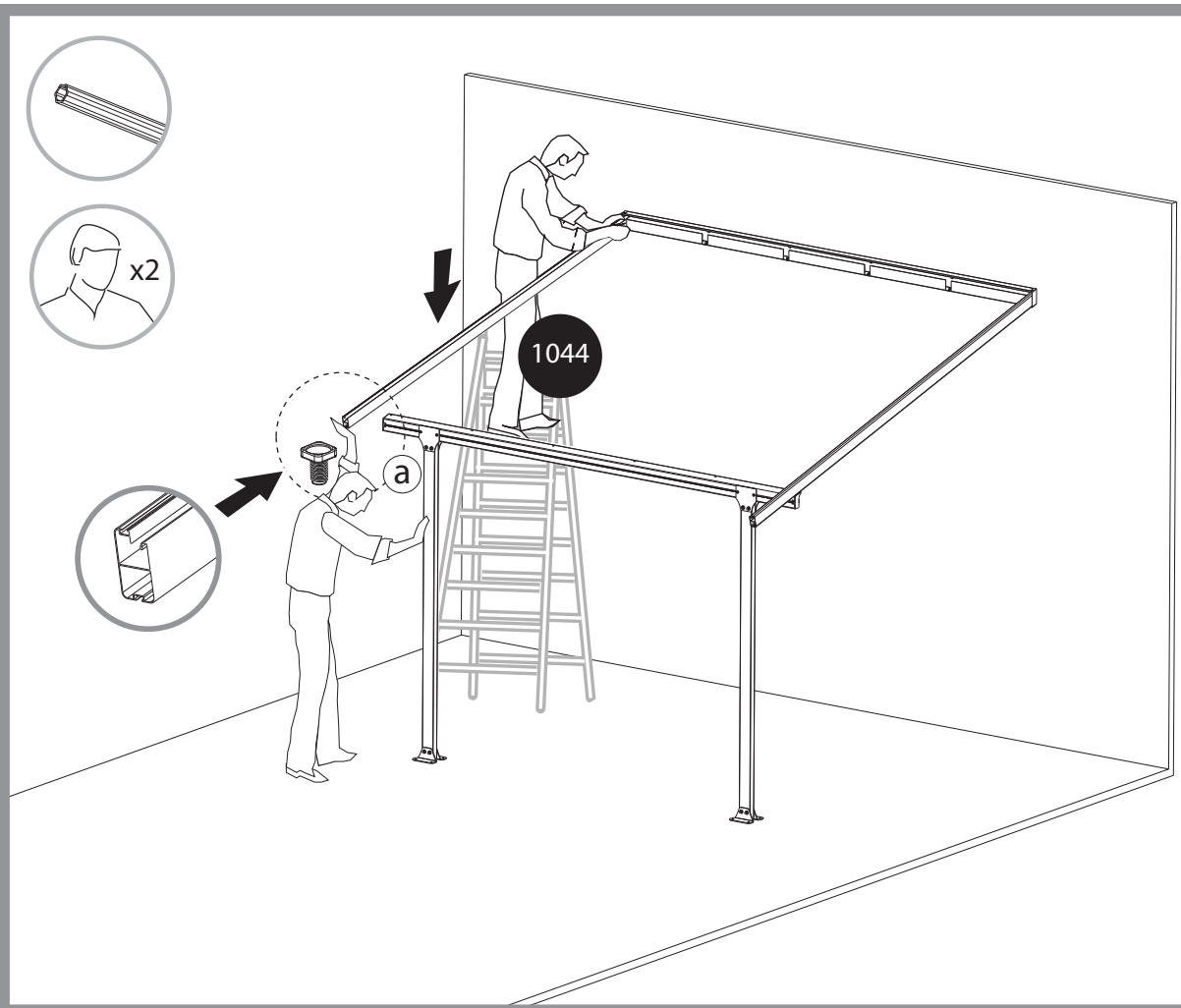
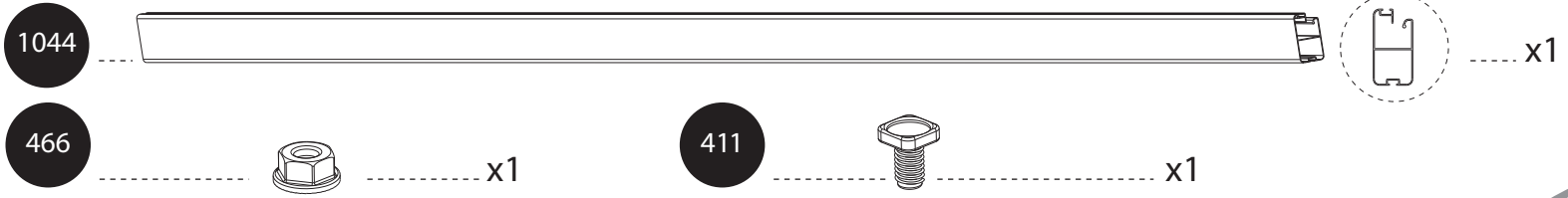
411



x6







1043



x4

466

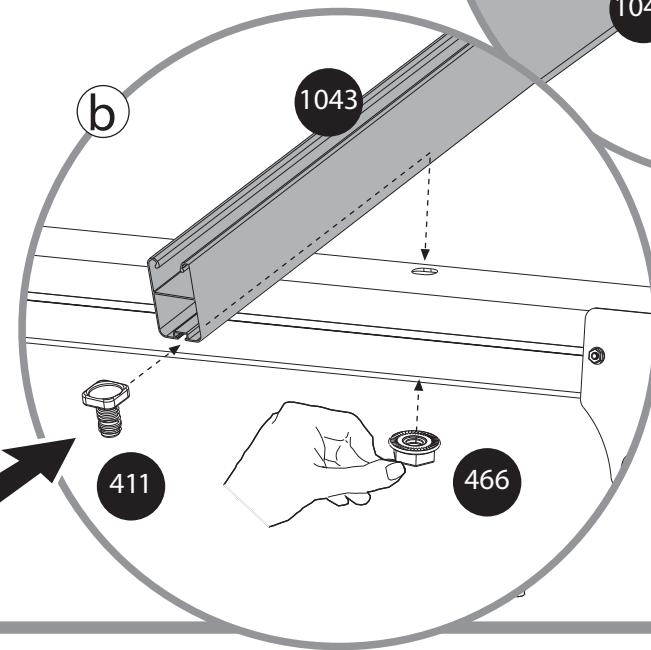
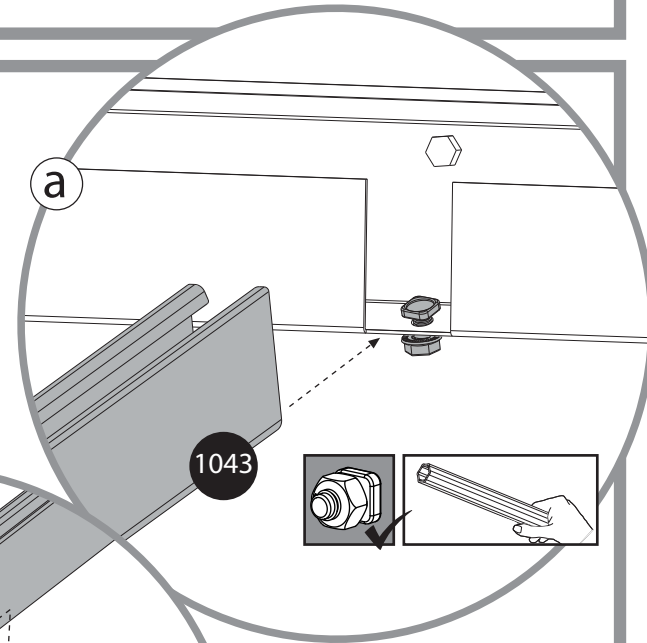
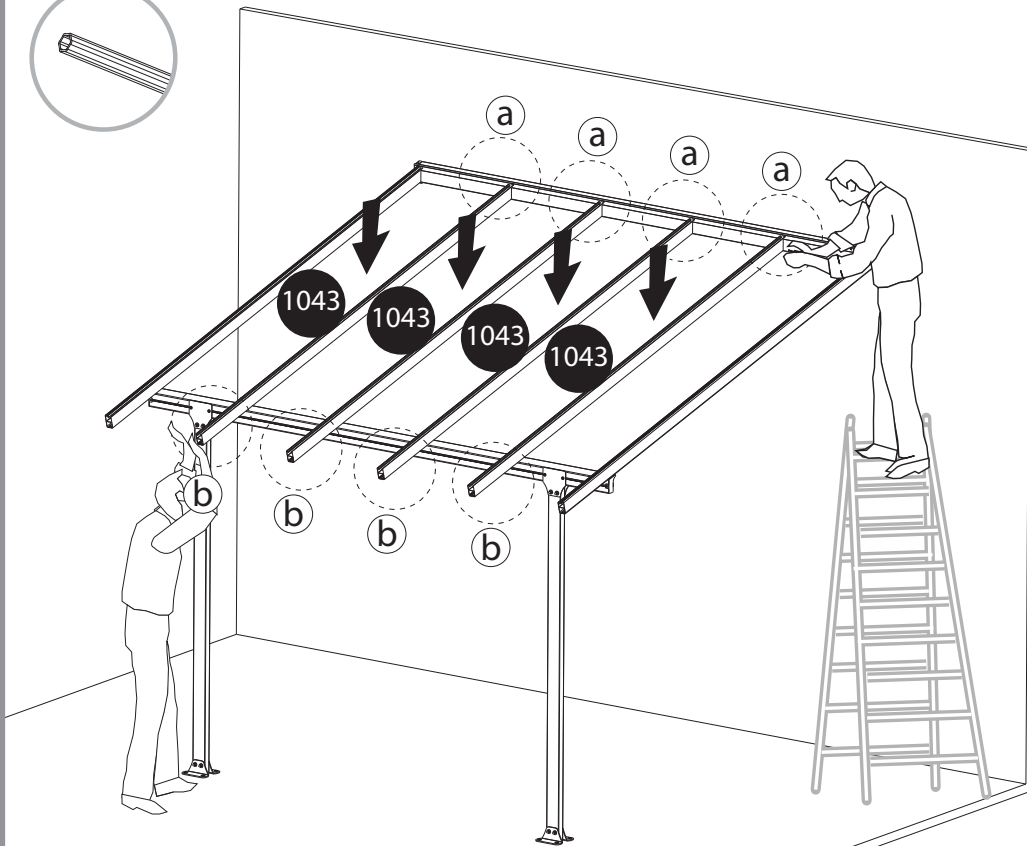
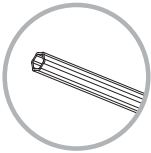


x4

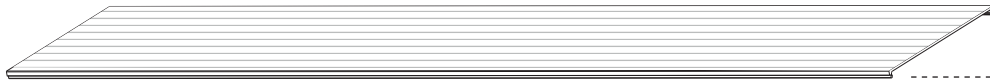
411



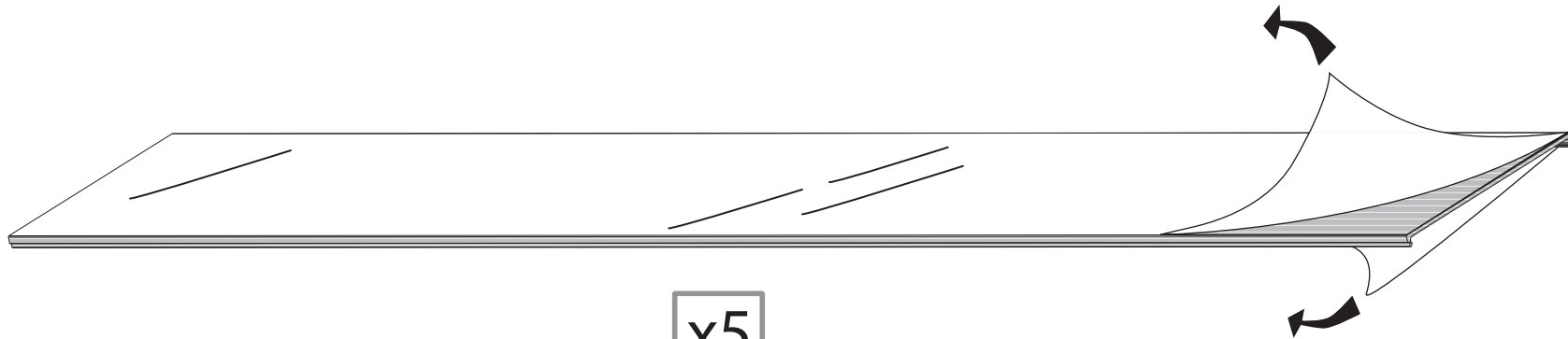
x4



3018

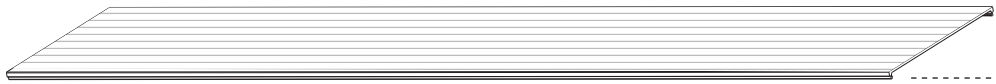


x5



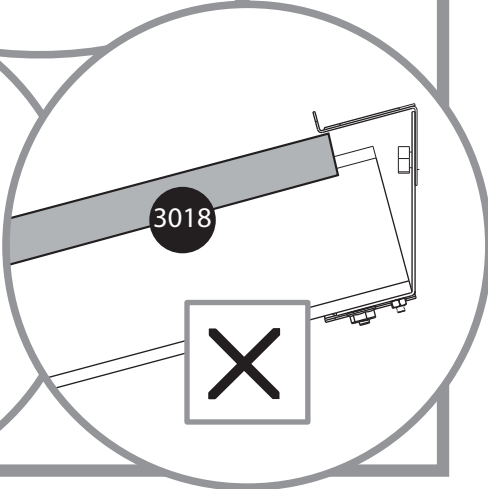
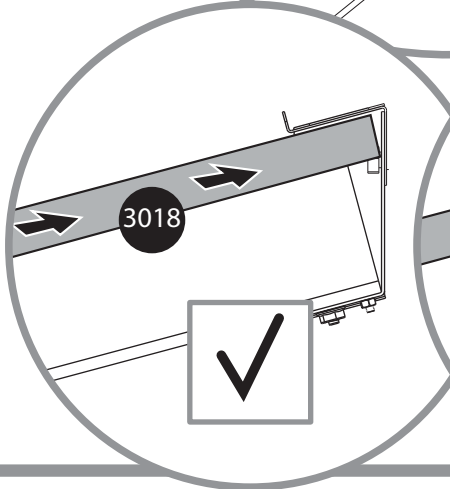
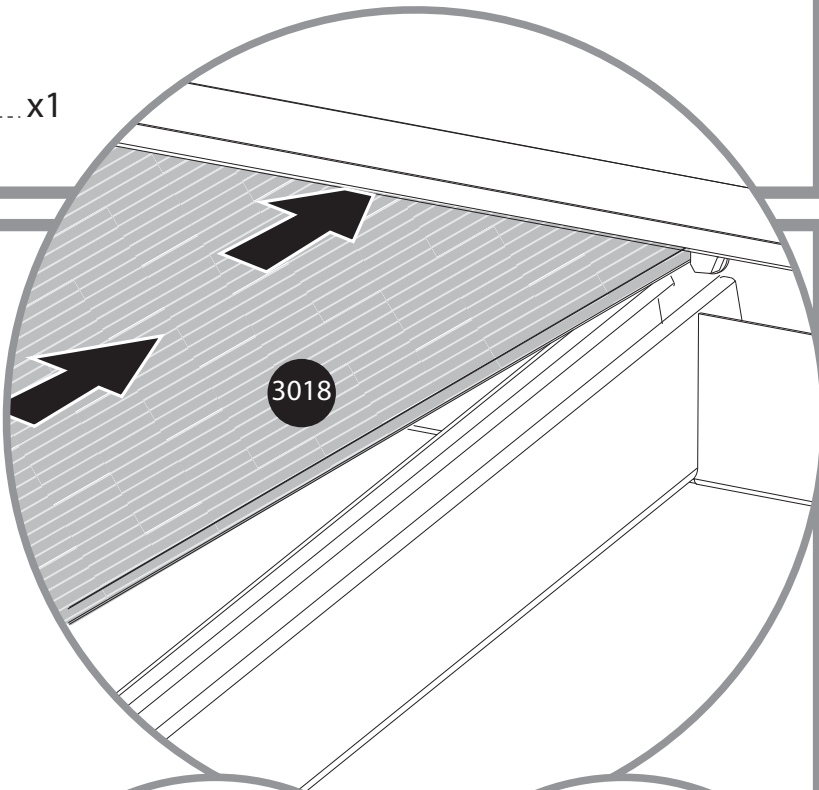
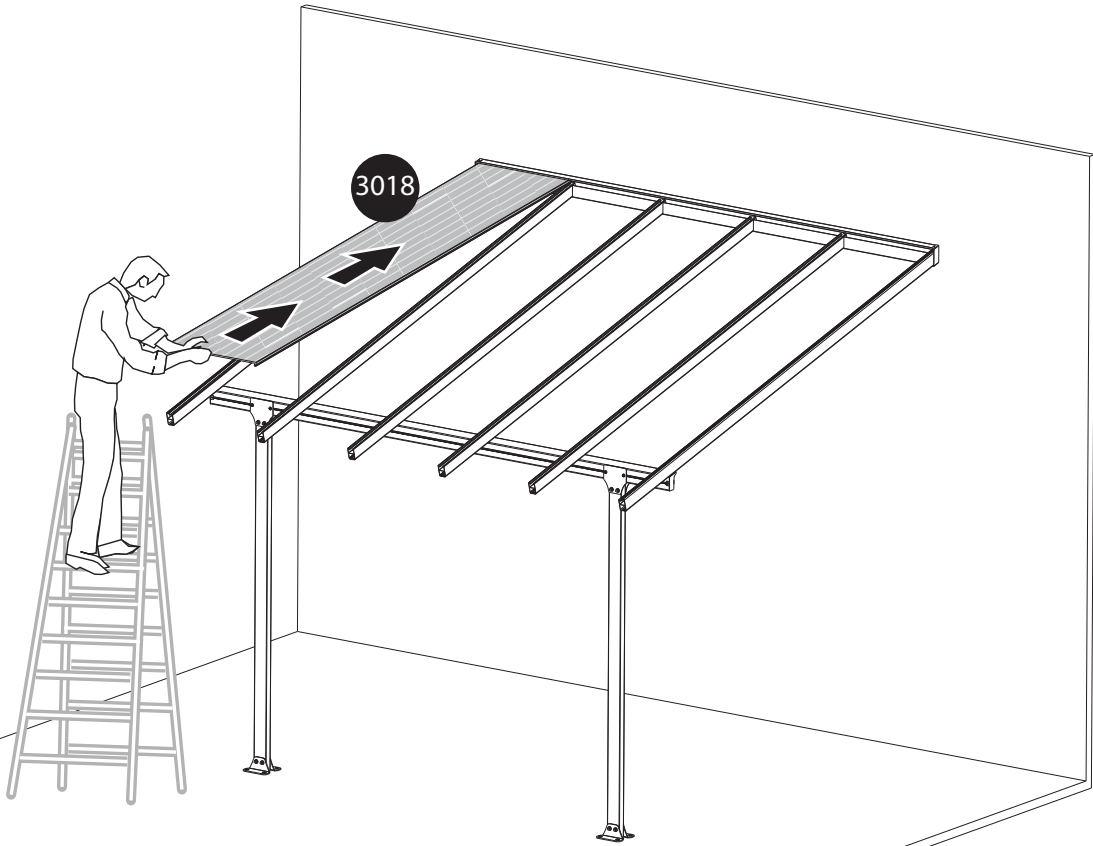
x5

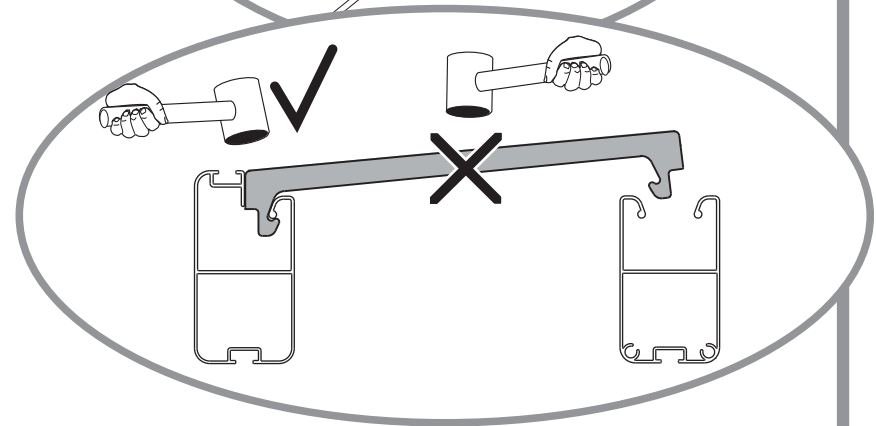
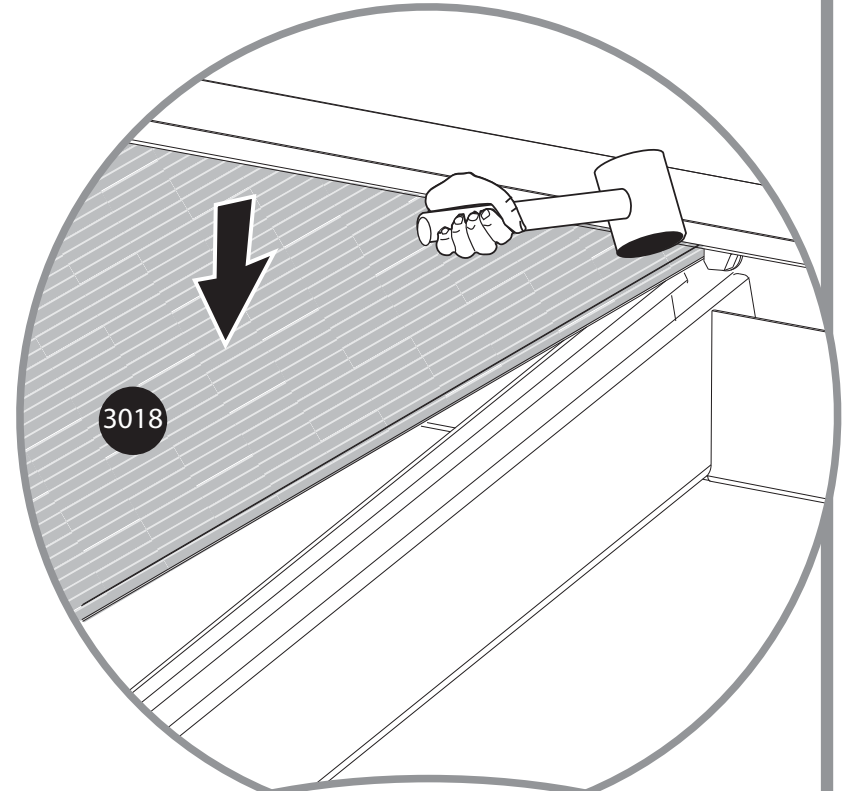
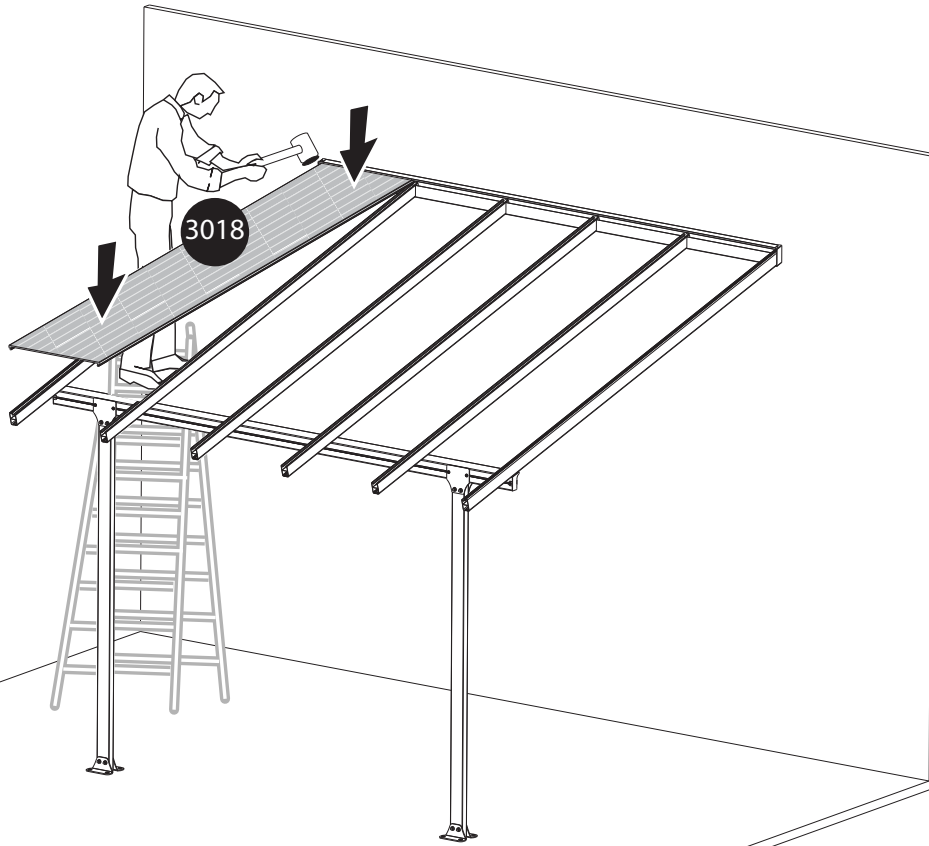
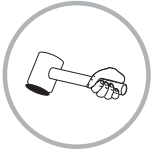
3018



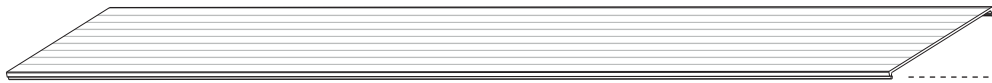
x1

3018

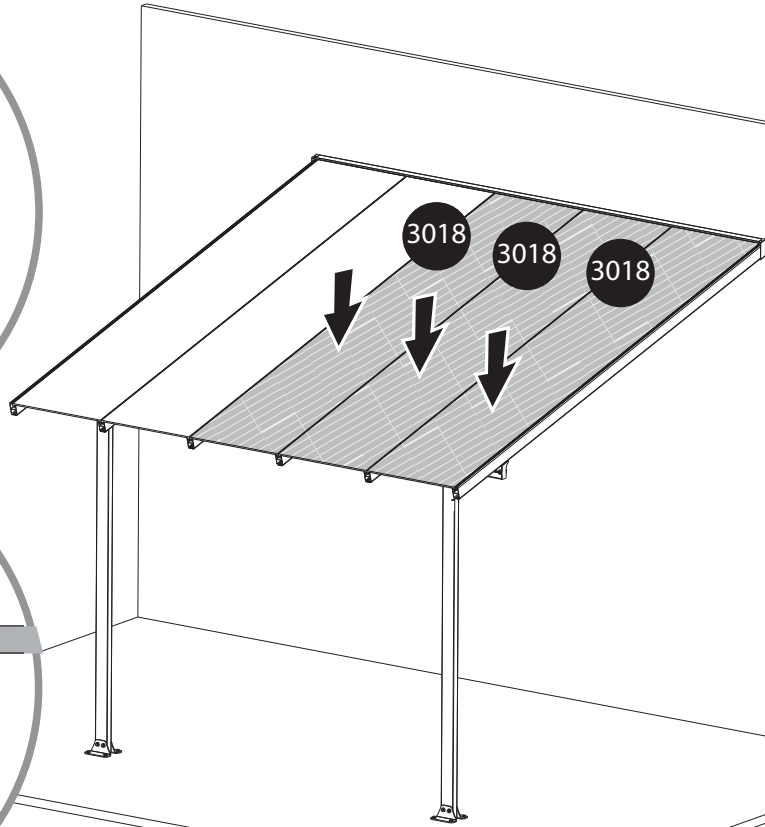
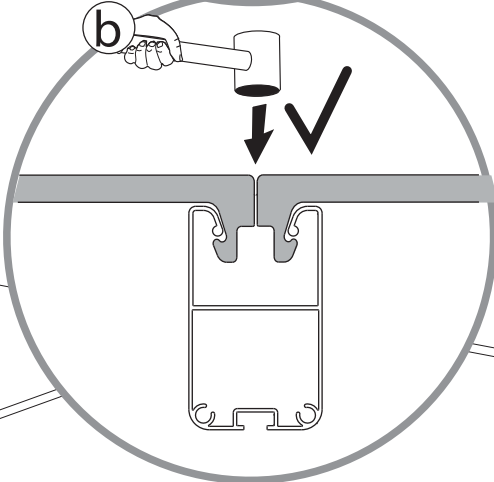
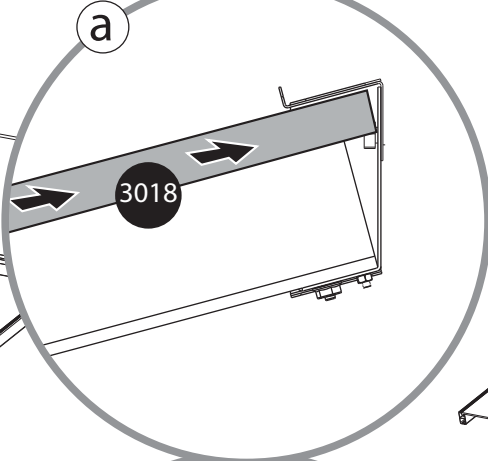
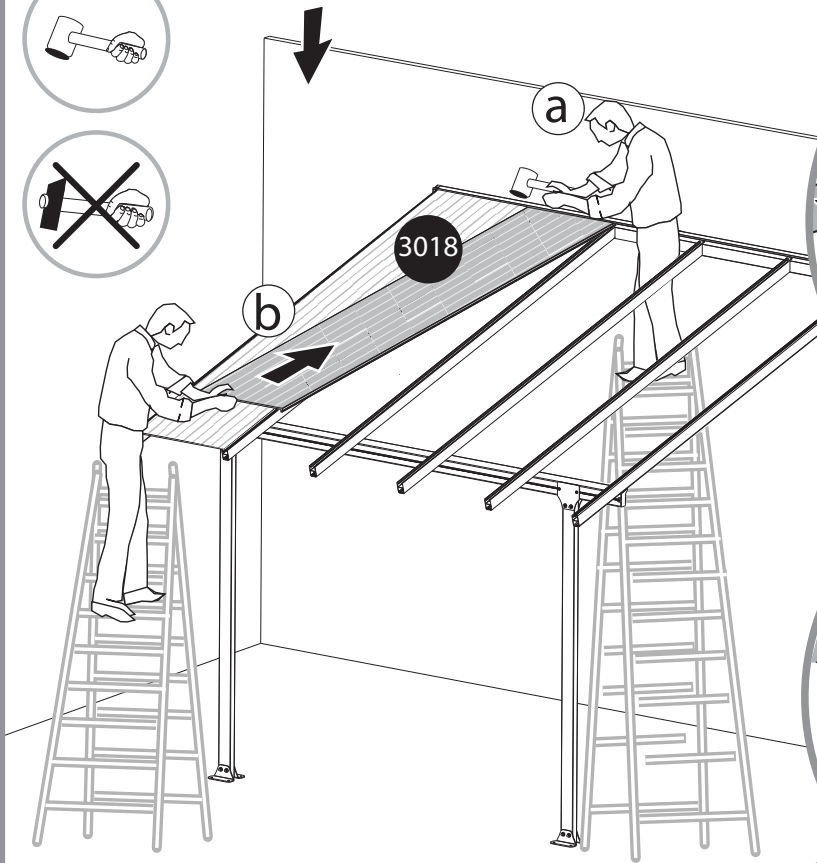
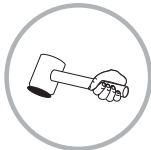


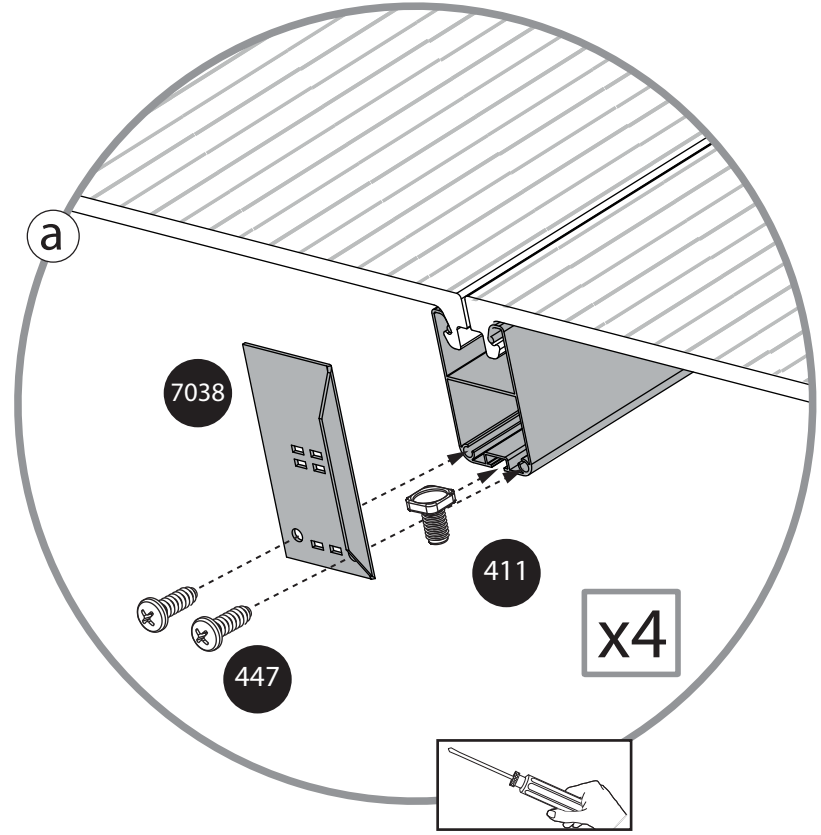
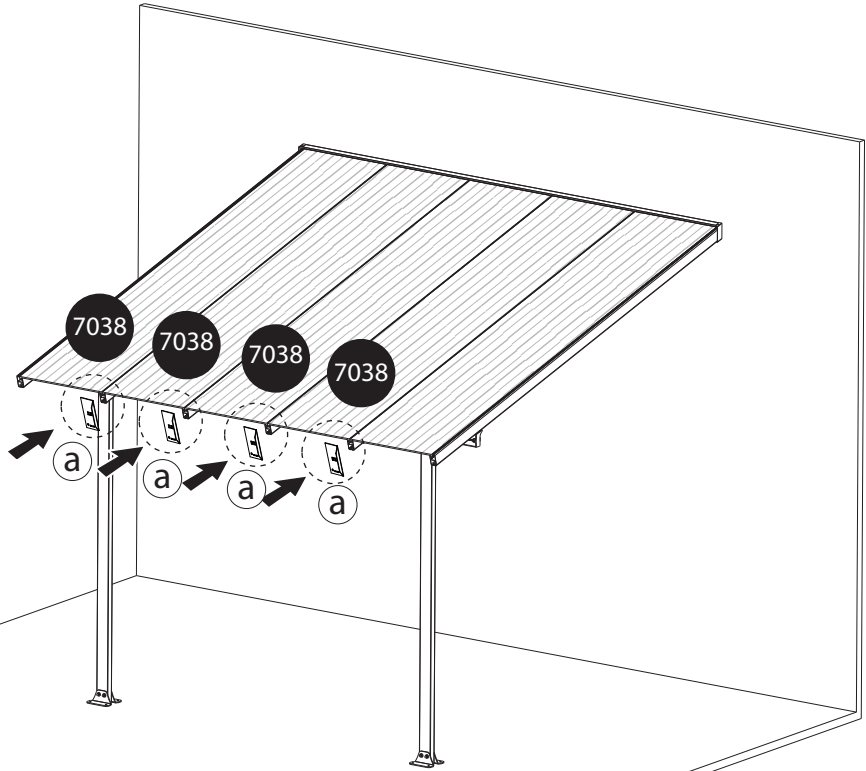
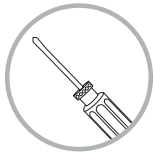
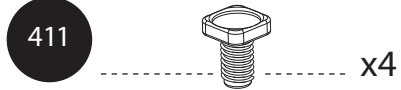
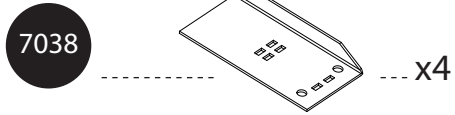


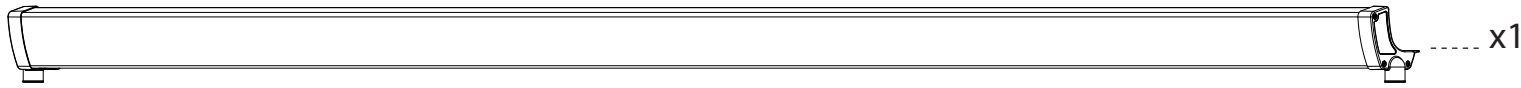
3018



x4



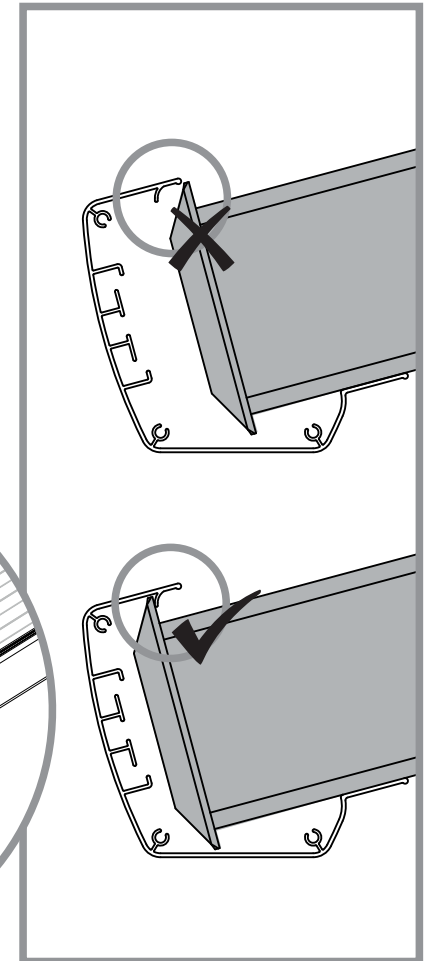
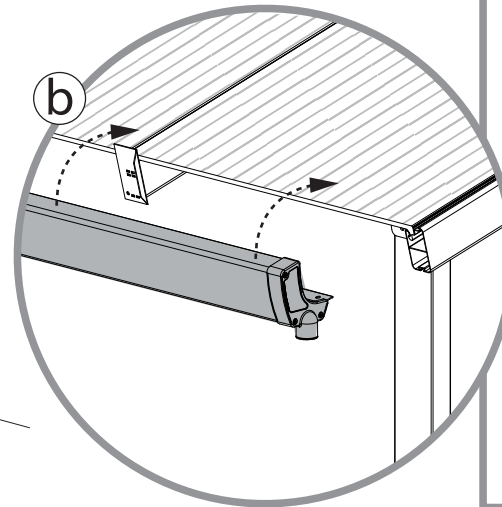
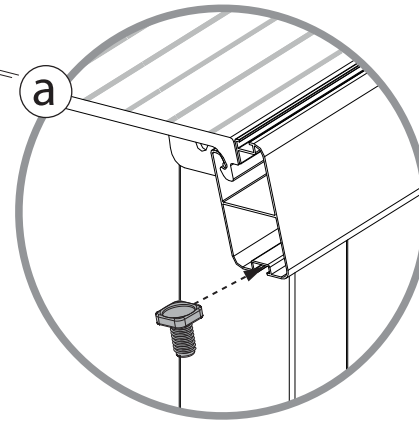
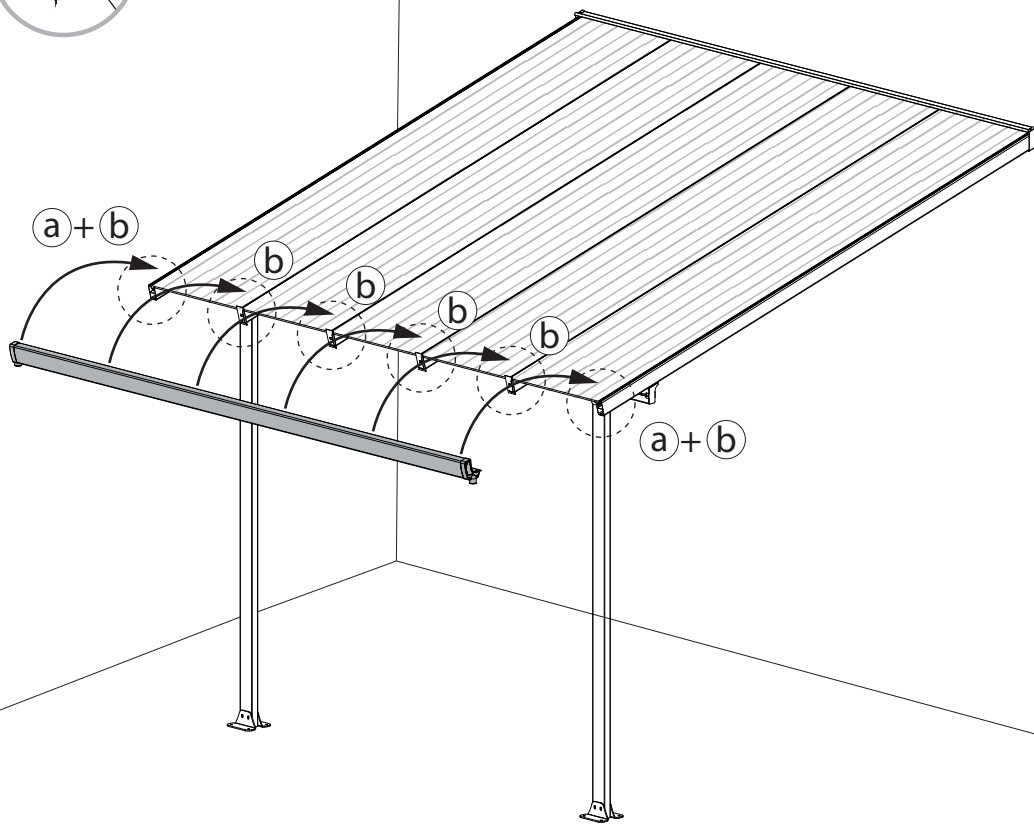




411



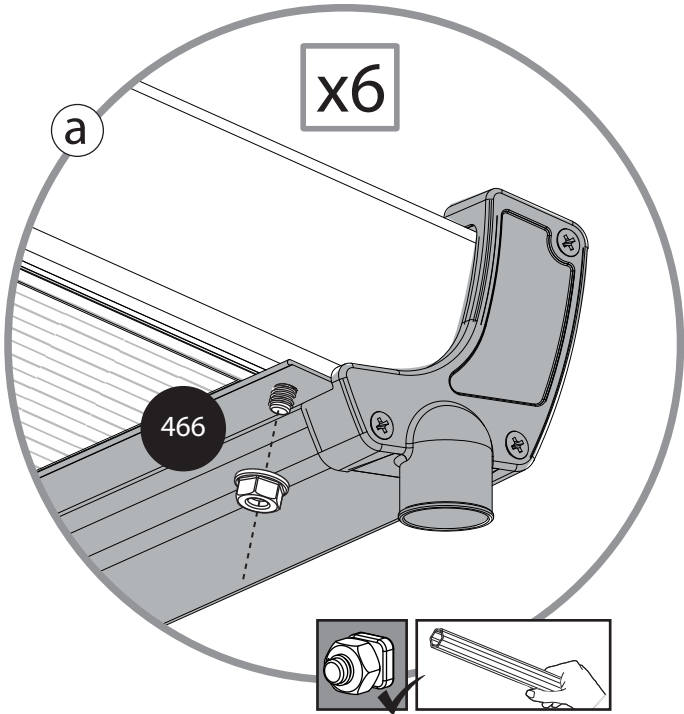
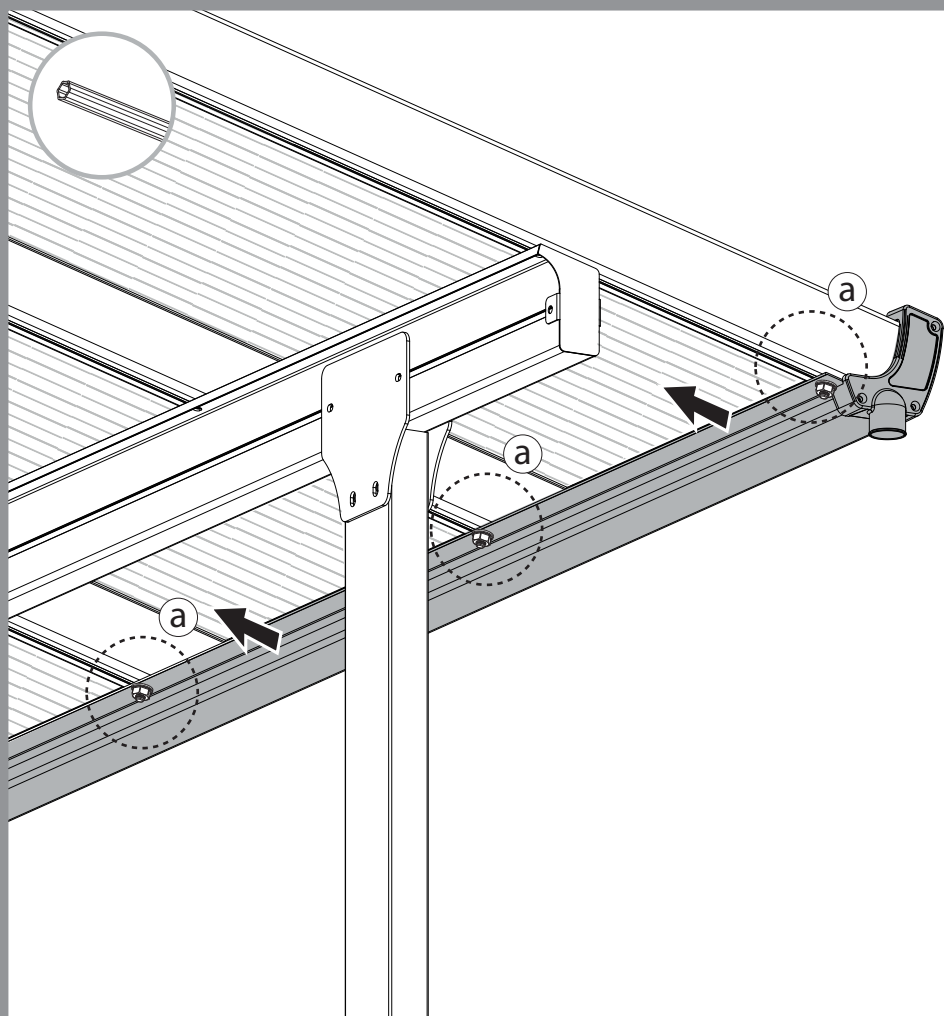
x2

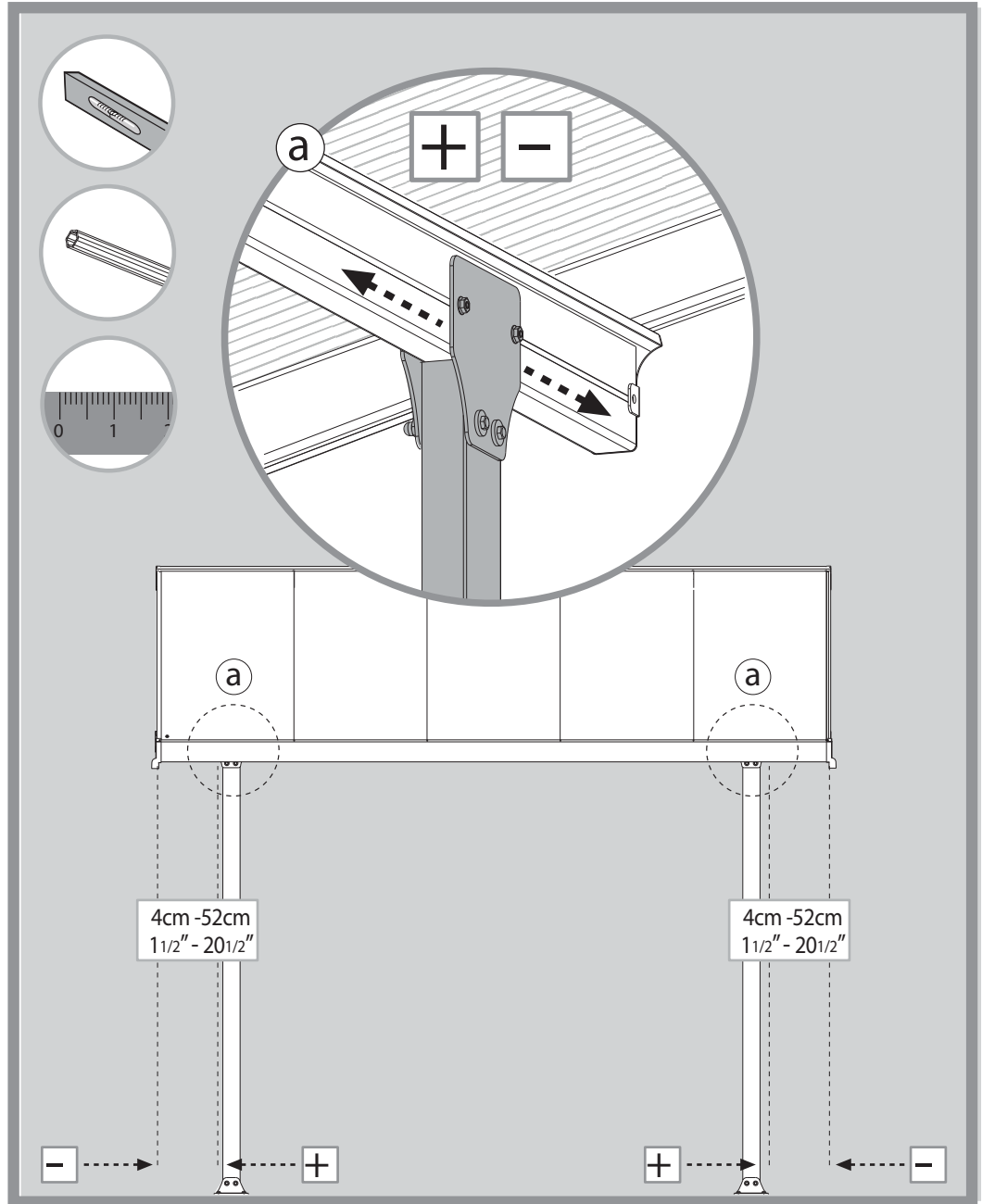
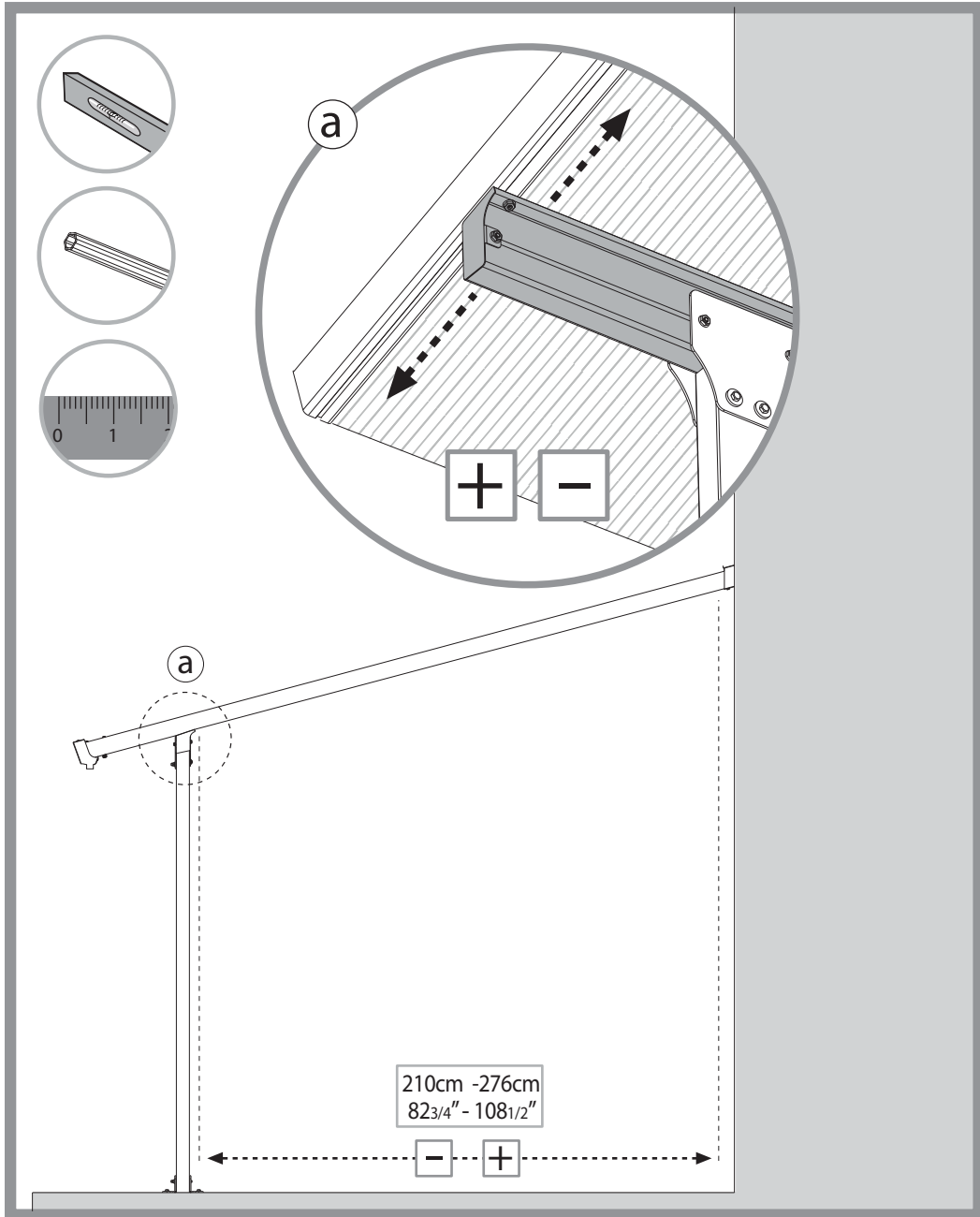





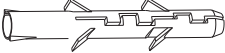
466



x6





- 433  x8
- 4000  x8
- 5000  x8
- 4010  x8

