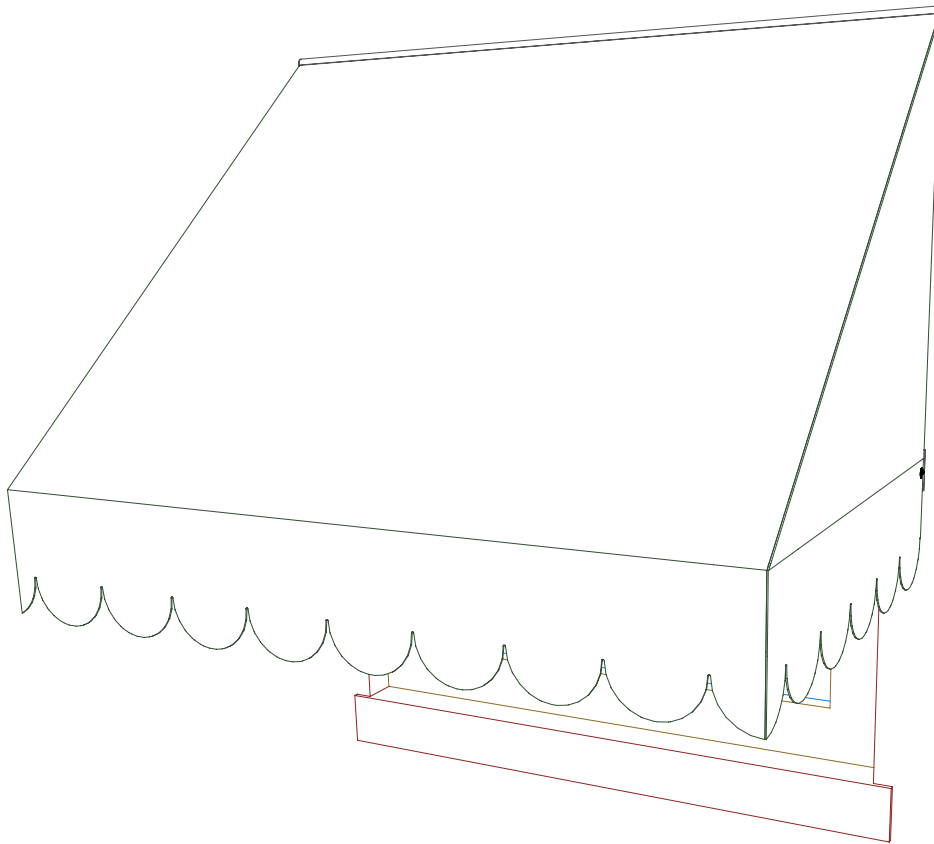


RAINBOW ROLL-UP AWNING INSTALLATION INSTRUCTIONS



Recommended Tools:

Screw Driver
Hammer
Pliers
Tape Measure
Carpenters Level

(If Awning is being Attached to Brick or Masonry a Drill,
Masonry Bit, and Masonry Anchors are Required)

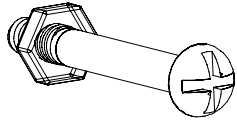
Not Included

For Ease of Assembly and Installation

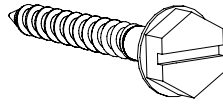
- Familiarize yourself with component parts

AWNING PARTS LIST

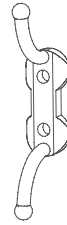
NOTE: The number of parts needed for installation will vary on the size of the awning.



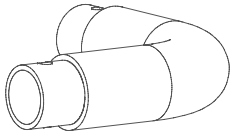
1. 1 1/4" Bolt & Nut



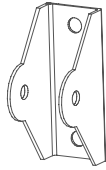
2. 1" Screw



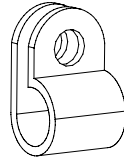
4. Rope Cleat



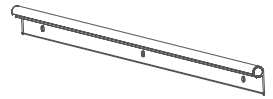
5. Plastic Elbow



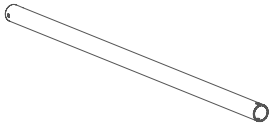
6. Wall Hinge



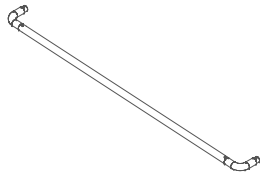
7. Rope Guide



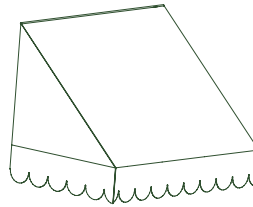
8. Mounting Strip



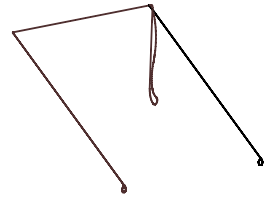
9. Return Arm



10. Front Cross Tube (w/ Elbows)



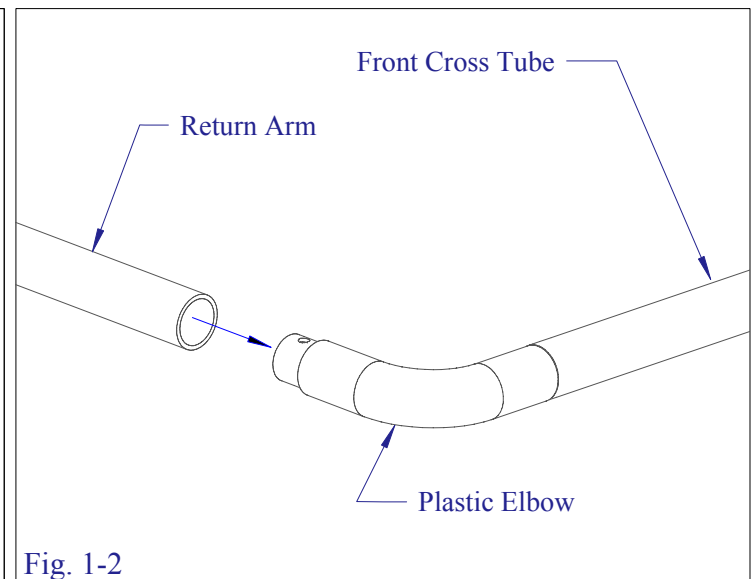
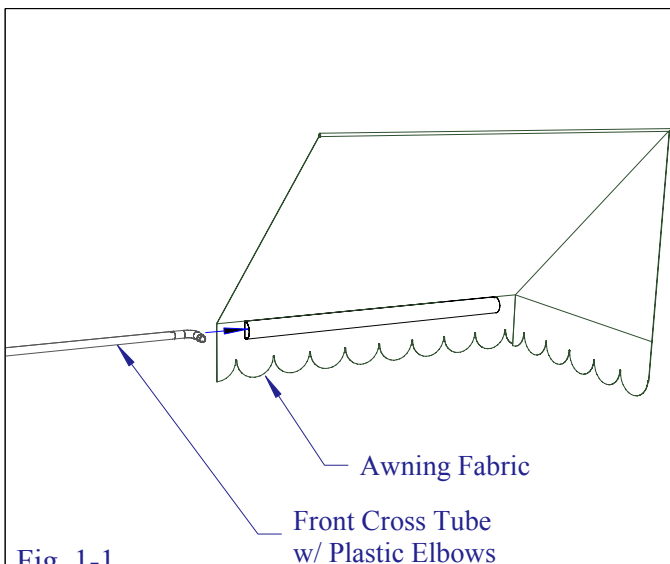
11. Awning Fabric



12. Rope

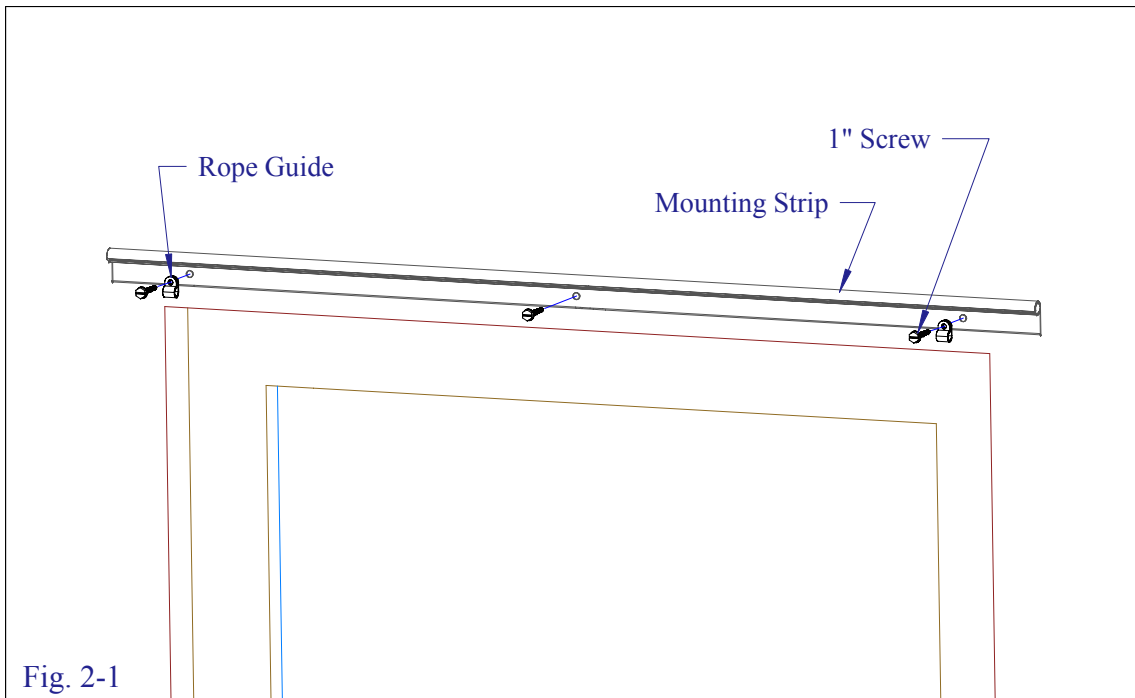
STEP 1.

Slide the front cross tube through sewn pocket in the front of the awning fabric (see Fig 1-1). Slide the return arms into the side pockets and attach ends of the return arms without holes to elbows by tapping with a hammer (see Fig 1-2). Be sure the holes on the opposite end run parallel with front cross tube (see Fig. 4-2).



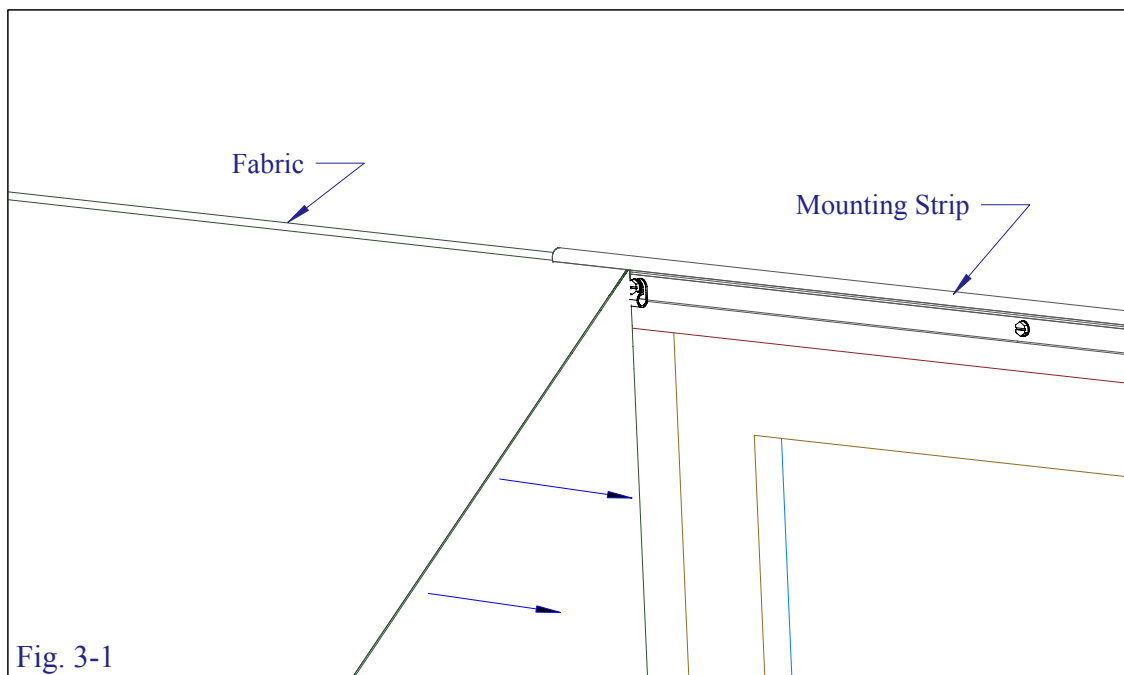
STEP 2.

Center mounting strip above window. Mark position of holes with a pencil. "Starter" holes are recommended using a drill or awl. Fasten mounting strip and rope guides with 1" screws. (Drill with masonry bit and masonry anchors are required for fastening to brick or masonry.)



STEP 3.

Slide awning fabric into mounting strip channel (see Fig 3-1). Awning frame assembly should be on underside of the fabric toward the window.

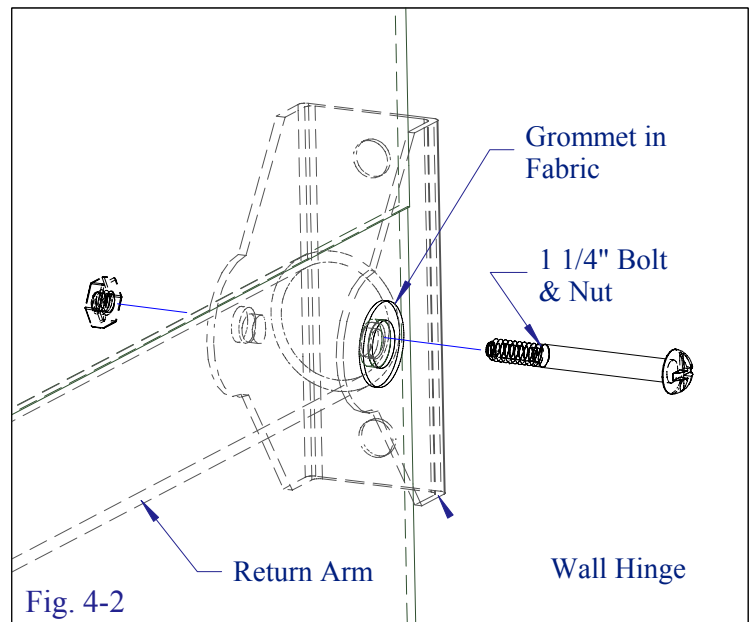
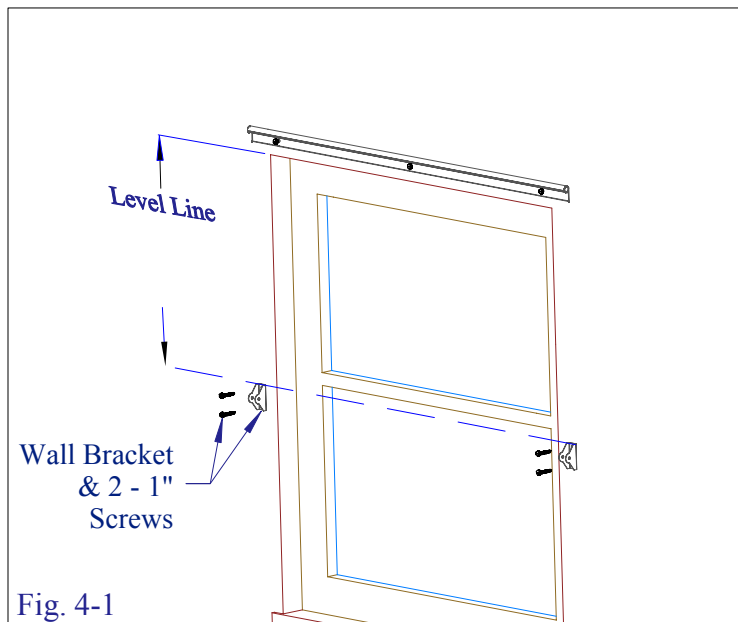


STEP 4.

Place wall hinges against frame or wall in level position. Mark position of holes. If satisfactory, fasten to wall with 1" screws.

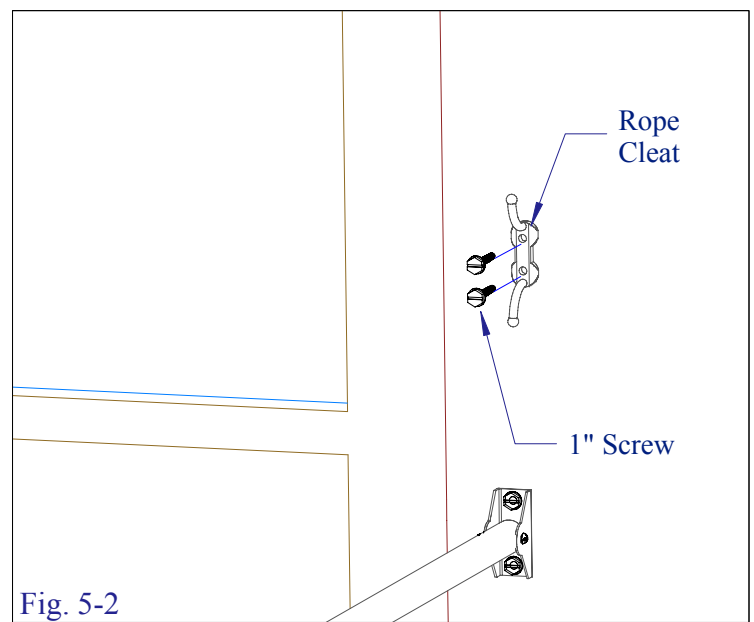
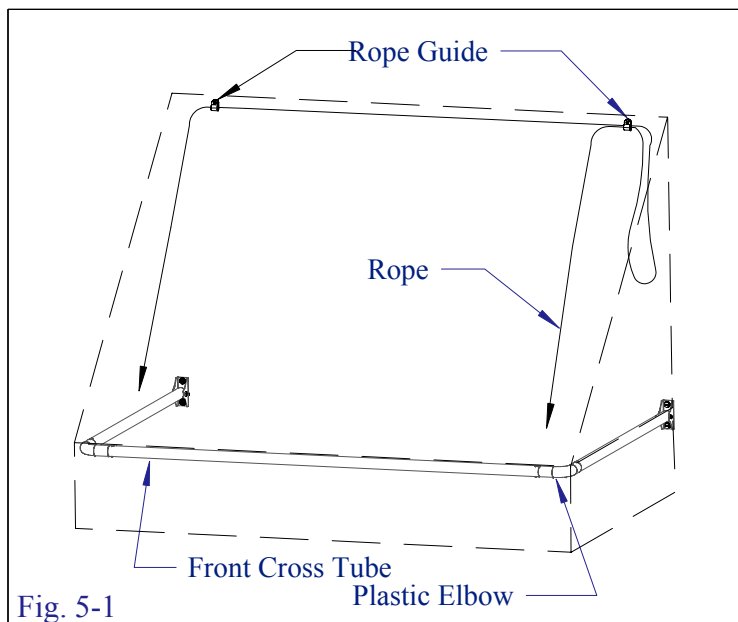
Then attach return arms to wall brackets through the grommet in the fabric with a 1 1/4" bolt and nut (see Fig. 4-2).

Note: Different fasteners required if attaching to brick or masonry).



STEP 5.

Thread rope through rope guides (see Fig 5-1). Tie ends to the front corner where the plastic elbow and front cross tube join. Pull rope downward and determine best spot for rope cleat and attach with 1" screws (see Fig. 5-2).



ASSEMBLY COMPLETED