

The Robusta

RETRACTABLE WINDOW AWNINGS

Robusta INSTALLATION AND ADJUSTMENT PROCEDURES

It is extremely important to take into consideration the type of building construction when mounting the small window awning. Whether the building exterior is stucco, brick, or wood shingles, it is important to install the mounting brackets in an adequate manner so as to properly secure the awning to the building's surface.

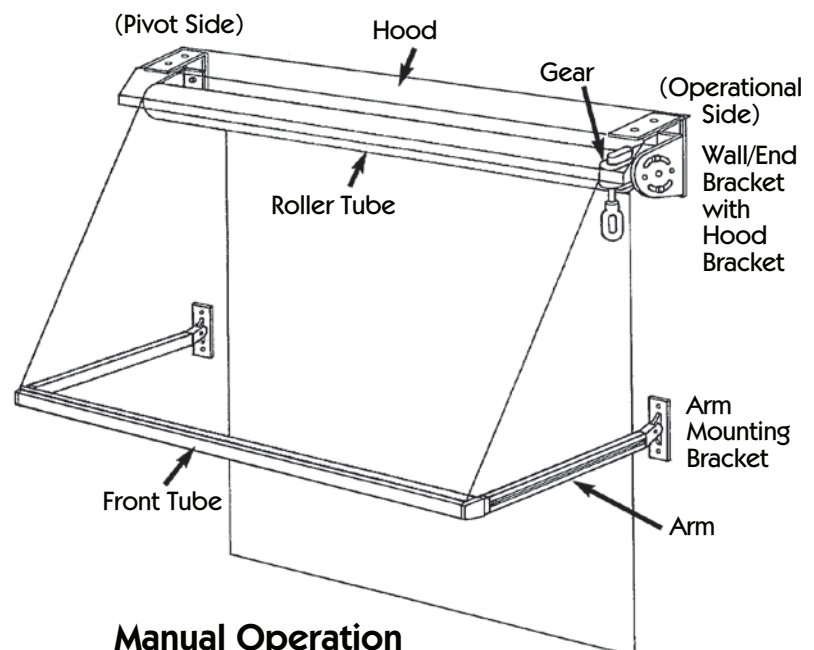
Manual Operation From Outdoors:

1. Before installation, check to make sure the awning is the correct size for the window.
2. Mount a Wall/End Bracket onto the wall or soffit at the operation side of the awning.
3. Mount the gear to the Wall/End Bracket with the supplied bolts.
4. Install the stainless steel Pivot into the other Wall/End Bracket (do not tighten).
5. Insert the Roller Tube with fabric into the gear. (Remember to use the square pin end of the tube). While holding the roller tube level, install the Wall/End Bracket with Pivot into the round gudgeon on the Roller Tube. Mark the location of the mounting holes of the Wall/End Bracket onto the wall. (Be sure the Roller Tube has a play of approximately 1/8" on the stainless steel pivot).
6. Take the Roller Tube back out, remove the pivot from the Wall/End Bracket and mount the Wall/End Bracket (and the Hood Mount Bracket) to the wall or soffit.
7. Repeat step 5, but this time tighten the pivot to the Wall/End Bracket. (Operation Side)
8. Connect the arms to the Front Tube backwards, without Wall/End tightening the nuts. (Be sure the fabric is rolled up so the upper part of the front tube hits slightly over the center line of the roller tube.)
9. Let the backwards arms hang from the front tube leaving the nut untightened. Place the Arm Mounting Bracket against the wall and mark the exposed bottom hole. (Outline the entire bracket if necessary). Repeat for all the arms.
10. Remove the arms from the front tube. Line up each Arm Mounting Bracket with its corresponding outline on the wall (keeping the arm pointing down) and mark the exposed top hole.
11. Mount the arm (While it is pointing down) by the top Front Tube hole first. Once the top bolt is secured, raise the arm (against spring tension) and attach it to the front tube.
12. Make sure the tubes line up and the arms are vertical. Tighten the nuts and bolts. The bottom holes are now
13. Attach the valance to the Front Tube and put the Plastic End Caps onto the ends of the front tube.

14. Attach the Hood to the Hood Mount Brackets. Then attach the Hood Side Covers to the Hood.

Motorized Operation:

1. Mount the pivot side Wall/End Bracket to the wall or the soffit.
2. Insert the stainless steel Pivot.
3. Attach the operation side Wall/End Bracket to the motor. Do not tighten the bolts, but insert the motor into Roller Tube.
4. Raise the Roller Tube Assembly and place it on the pivot. While holding the Roller Tube level, mark the hole locations using the operation side wall/end bracket as a guide. Be sure that the Roller Tube has 1/8" of play on the pivot.
5. Take the Roller Tube Assembly back down and detach the Wall/End Bracket from the motor. Mount this bracket to the wall or soffit.
6. Re-install the Roller Tube Assembly and secure the motor with the supplied bolts.
7. Follow steps 8-13 for "Manual Operation From Outdoors" (at left).
8. Follow the instructions included with the SOMFY motor. All electrical work should be done by a qualified electrician conforming to local codes. (Pivot Side)



**Manual Operation
from Outdoors**