



## The Santa Fe Style Awning

### OWNER'S MANUAL & INSTALLATION INSTRUCTIONS

**Important Installation Information:**

**The Santa Fe frame must be installed on the wall as there is no connecting part between Projection Bar (PB) and Top Bar (TB).**

**Please read instructions fully before installing.**

- ⚠ **WARNING:** Adult Assembly Required
- ⚠ **WARNING:** Assembly Kit Contains Parts With Sharp Points, Sharp Edges, and Small Parts That Can Present Choking Hazards to Children.
- ⚠ **WARNING:** Components Are Packed In Plastic Bags that are a Suffocation Hazard.

**NOTE:** Please inspect the parts for damage during shipping and/or for any missing items. If you suspect that there may be damage or a shortage, contact us and we will send replacement parts if needed. At this time, visualize how the components fit together and make sure that you have identified the various parts.

**Models with Valance:** SANT21, ESANT13, SANT22, ESANT23, SANT32, SANT33, SANT34, SANT43, SANT44

| Awning size | Width in inches | Awning Size | Width to Inches |
|-------------|-----------------|-------------|-----------------|
| 3           | 40.5            | 12          | 148.5           |
| 4           | 52.5            | 13          | 160.5           |
| 5           | 64.5            | 14          | 172.5           |
| 6           | 76.5            | 15          | 184.5           |
| 7           | 88.5            | 16          | 196.5           |
| 8           | 100.5           | 17          | 208.5           |
| 9           | 112.5           | 18          | 220.5           |
| 10          | 124.5           | 19          | 232.5           |
| 11          | 136.5           | 20          | 244.5           |

*OUR AWNINGS ARE DESIGNED 4.5" WIDER THAN STANDARD WINDOW/DOOR OPENINGS SO THEY ANCHOR TO THE STUDS AROUND THE WINDOW OR DOOR. EXAMPLE: RR22-5 IS FOR 5'-0" WIDE WINDOW. IT MEASURES 64.5" WIDE, 31" TALL, (24" PLUS 7" VALANCE AND 24" DEEP (PROJECTION)*

There is a variety of building wall surfaces; we do not supply the hardware to install your awning. You will need to purchase installation hardware at your local hardware store. We have advised you on different surface applications below:

**CONCRETE BLOCK WALLS:** 3/8" x 3" Masonry anchor bolts or Tapcon Screws plus Washers (1 per bracket)  
**WOOD OR SIDING:** 3/8" x 3" Lag Screws plus Washers (1 per bracket)  
**OTHER STRUCTURES:** CONSULT A PROFESSIONAL

Other parts: Z-Brackets, Self-tapping Screws

**PARTS:**

| Awning Size in Ft.                    | 3-4 | 5 | 6-7 | 8-10 | 11-12 | 13-18 | Custom |
|---------------------------------------|-----|---|-----|------|-------|-------|--------|
| (TB) Top Bar – C Channel              | 1   | 1 | 2   | 2    | 3     | 3     |        |
| (FB) Front Bar                        | 1   | 1 | 2   | 2    | 3     | 3     |        |
| (NC) Hypotenuse/Cover Support         | 2   | 3 | 3   | 5    | 4     | 7     |        |
| (SBP) Santa Fe & Black Projection Bar | 2   | 1 | 1   | 3    | 2     | 5     |        |

Other parts: Z-Brackets, Self-tapping Screws

All awning sizes over 6' wide come in multiple sections. Example: 6' size Top Bar (TB) consists of TB1 & TB2 and Front Bar (FB) consist of FB1 & FB2

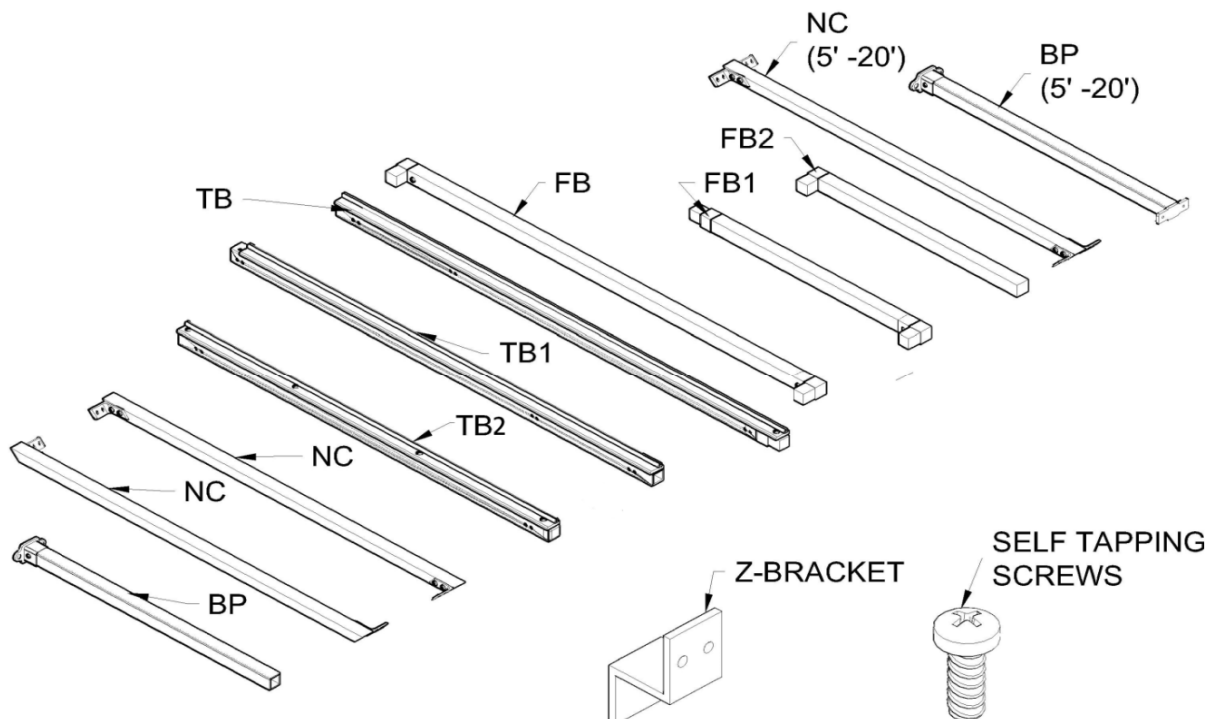
**Tools Required:** Electric Impact Drill, Installation Anchors (as per your wall type), Tape Measure, Safety Glasses, 4' Level, a Safe Ladder and #2 pencils.

YOU MAY ALSO NEED AN ASSISTANT FOR LARGER AWNINGS. IT DEPENDS ON THE SIZE AND WEIGHT OF THE AWNING.

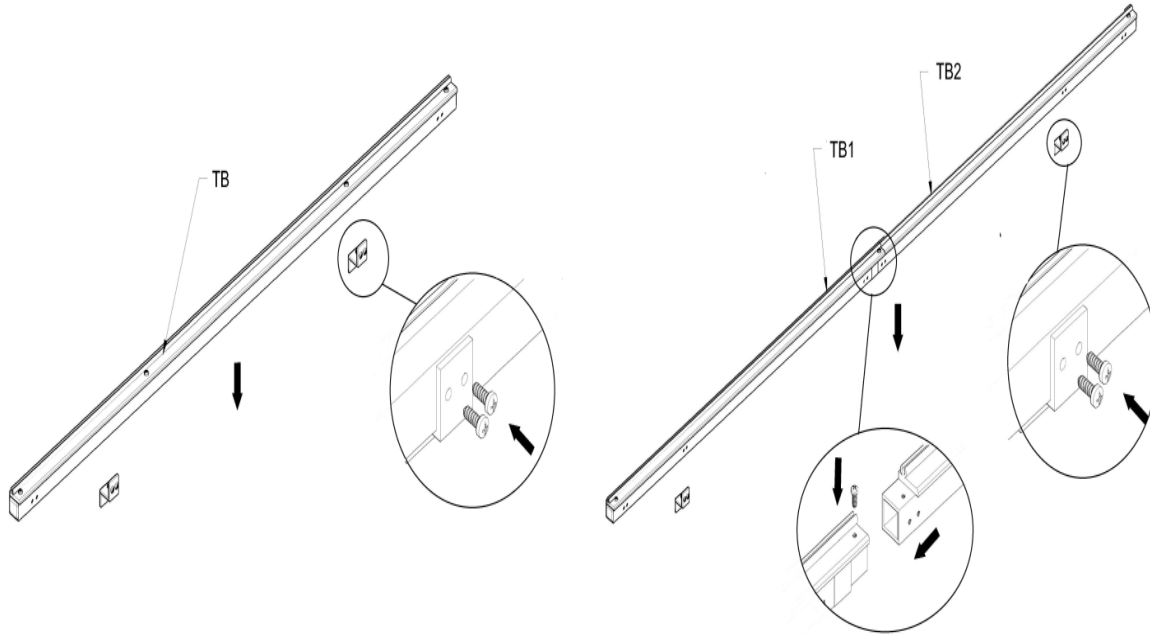
NOTE: YOU WILL FIND THAT THE FITTINGS HAVE BEEN PRE-INSTALLED, AS WE HAVE PRE-ASSEMBLED AND INSPECTED IT FOR YOU IN THE FACTORY.

**The Santa Fe frame must be installed on the wall as there is no connecting part between Projection Bar (PB) and Top Bar (TB)**

**STEP 1:** Separate all of the parts, so they will be easy to assemble. Please refer to Parts chart for quantities for each part. (pg. 2)

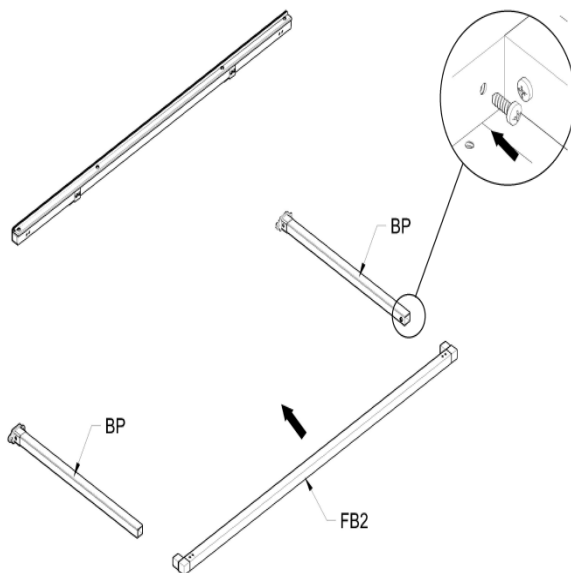


**STEP 2:** The Top Bar (TB) must be installed first. Mount Provided Z-Brackets to surface, and insert TB into brackets. The C-Channel must be close to the wall. Before installing the TB you must make sure that there is enough space below to install PB. Please keep in mind there are no pre-drilled holes for Z-Brackets and you'll need to use the provided self tapping screws to secure the top bar to the bracket wherever you need a bracket. (please see the chart below for the height measurements)

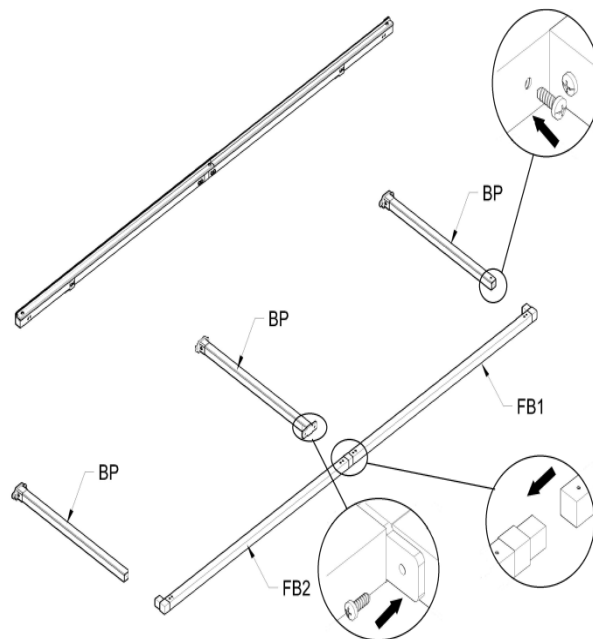


**STEP 3:** Install Santa Fe Bars (SFB) on to Front Bar (TB) Velcro will face forward on the front bar. For Awnings larger than 5' you will need to install Black Projection Bar (BP). There will be no pre-drilled holes for the (BP) and you'll need to use self tapping screws to secure them to the back end of the front bar wherever space is available.

**Frame 2'-4'**

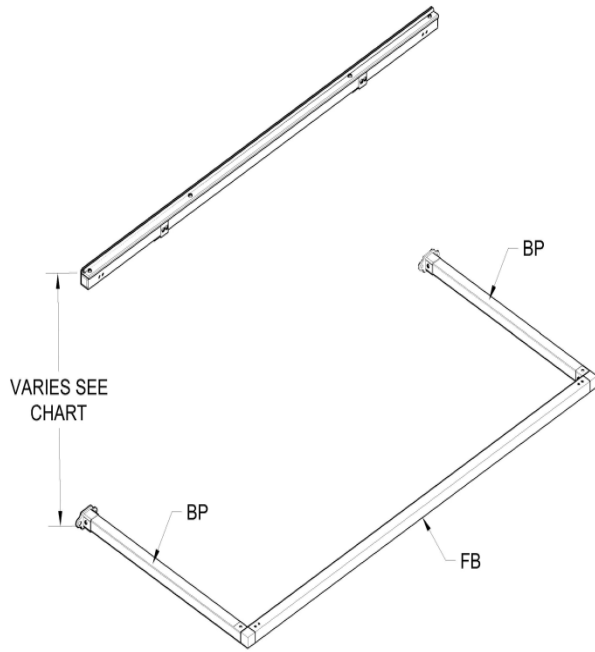


**Frame 5'-7'**

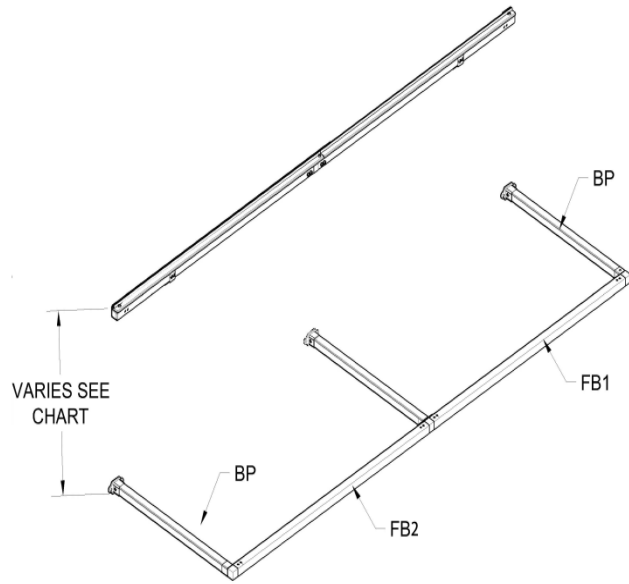


**STEP 4:** Install the SFB & FB structure to the mounting surface. The space between the top of the (TB) and the bottom of the (SFB) is indicated on sheet 4.

**Frame 2'-4'**



**Frame 5'-7'**

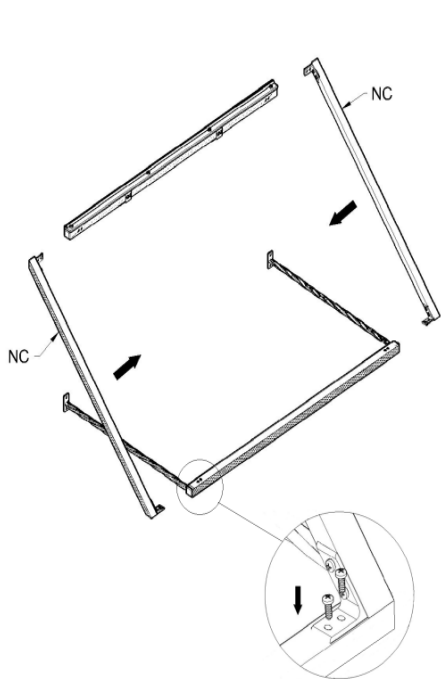


\*\*\*all the sizes are in inches

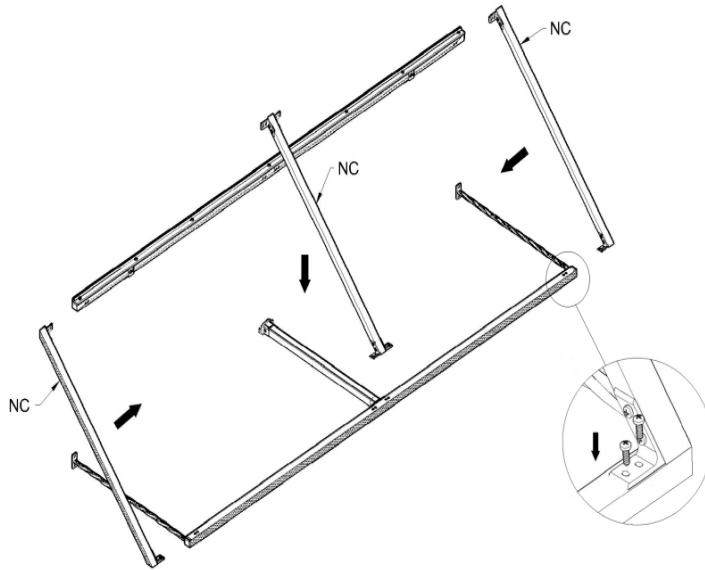
| Model   | Space between TB and BP in inches | Height incl. Valance | Projection |
|---------|-----------------------------------|----------------------|------------|
| SANT21  | 24                                | 31                   | 12         |
| SANT22  | 24                                | 31                   | 24         |
| ESANT23 | 18                                | 24                   | 36         |
| SANT32  | 36                                | 44                   | 24         |
| SANT33  | 36                                | 44                   | 36         |
| SANT34  | 36                                | 44                   | 48         |
| SANT43  | 48                                | 56                   | 36         |
| SANT44  | 48                                | 56                   | 48         |
| Custom  |                                   |                      |            |

**STEP 5:** Install the NC (left and right) with arrow facing upwards. Secure those with self-tapping screws, the holes on the (FB) and (TB) are pre-drilled. Make sure that the Velcro on NCs is facing inwards.  
Note: If the awning is larger than 5' (52.5") wide then you must install additional (NCs) to complete the frame assembly and installation.

**Frame 2'-4'**

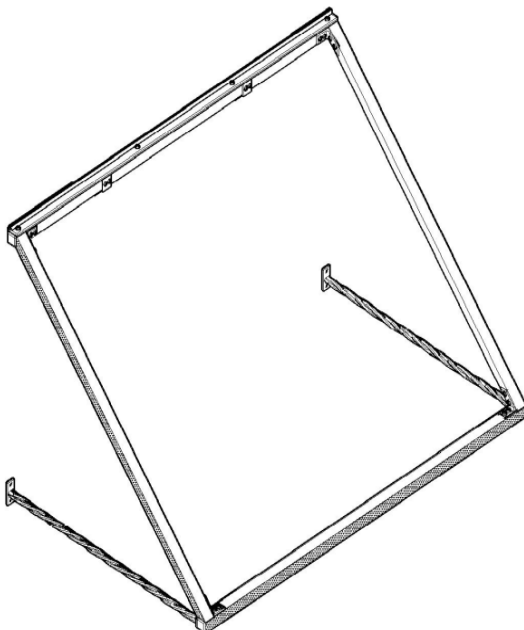


**Frame 5'-7'**

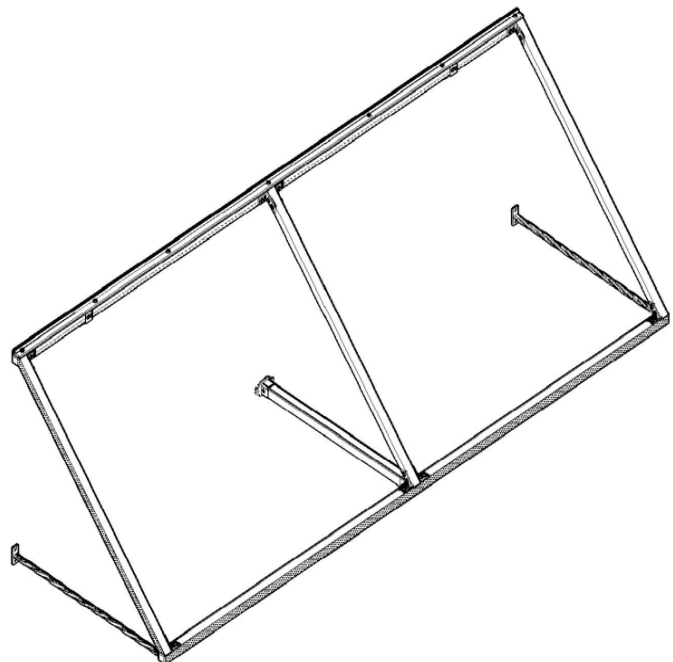


**The Frame for the Santa Fe is complete.**

**Frame 2'-4'**

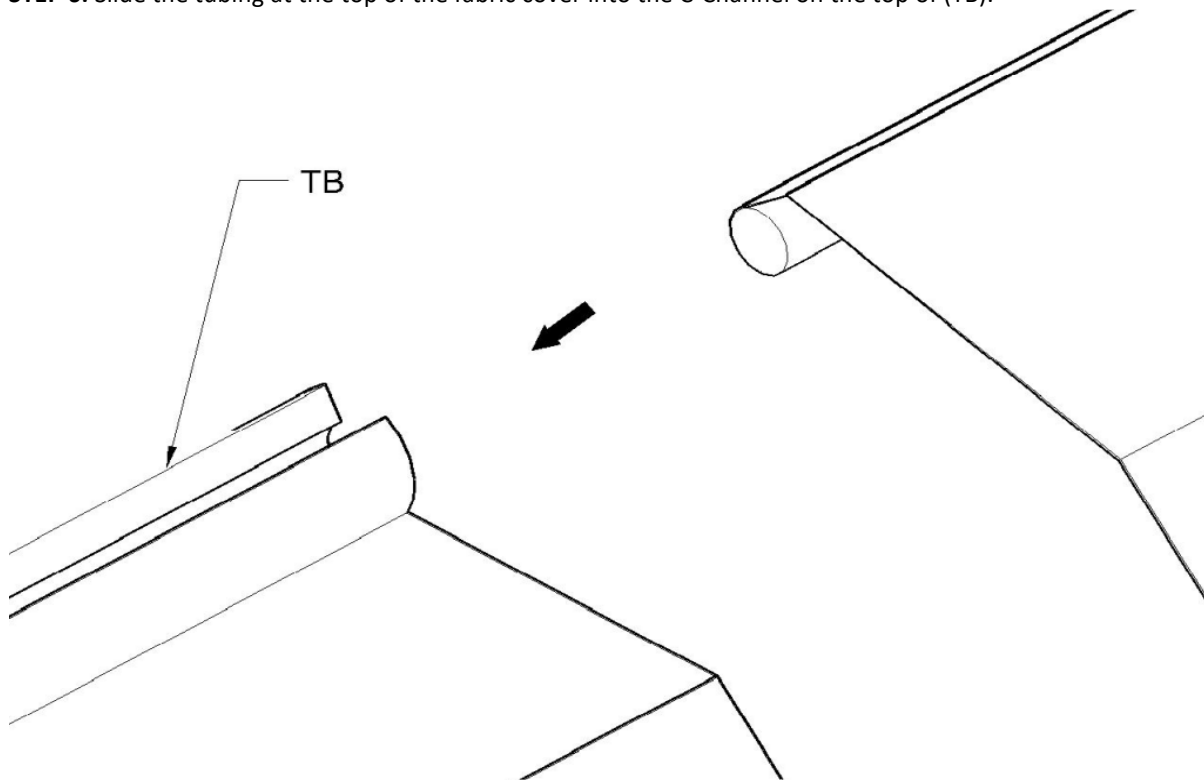


**Frame 5'-7'**



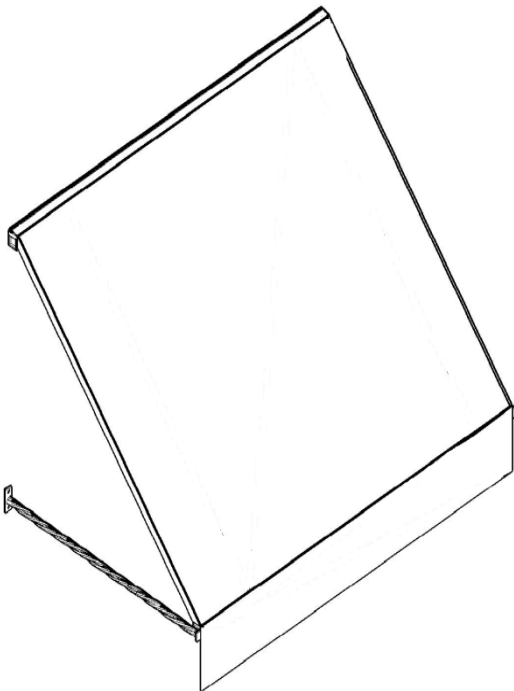
**INSTALLING THE COVER**

**STEP 6:** Slide the tubing at the top of the fabric cover into the C-Channel on the top of (TB).

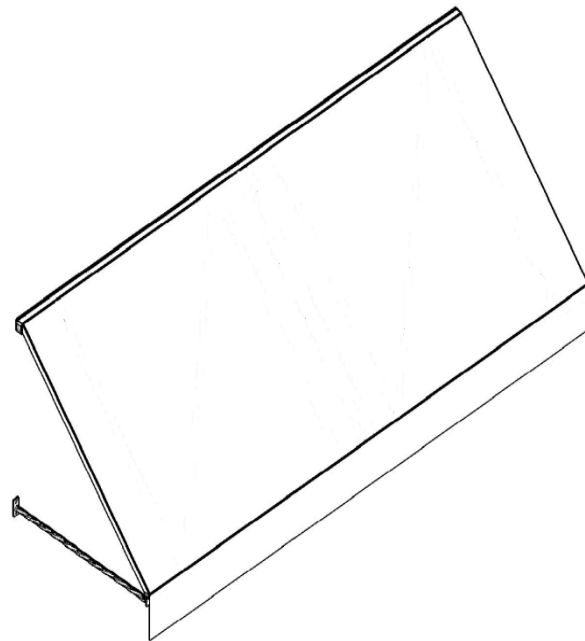


**STEP 7:** Pull the remainder of fabric over the frame with the valance hanging down below the (NC) and (FB) bars.

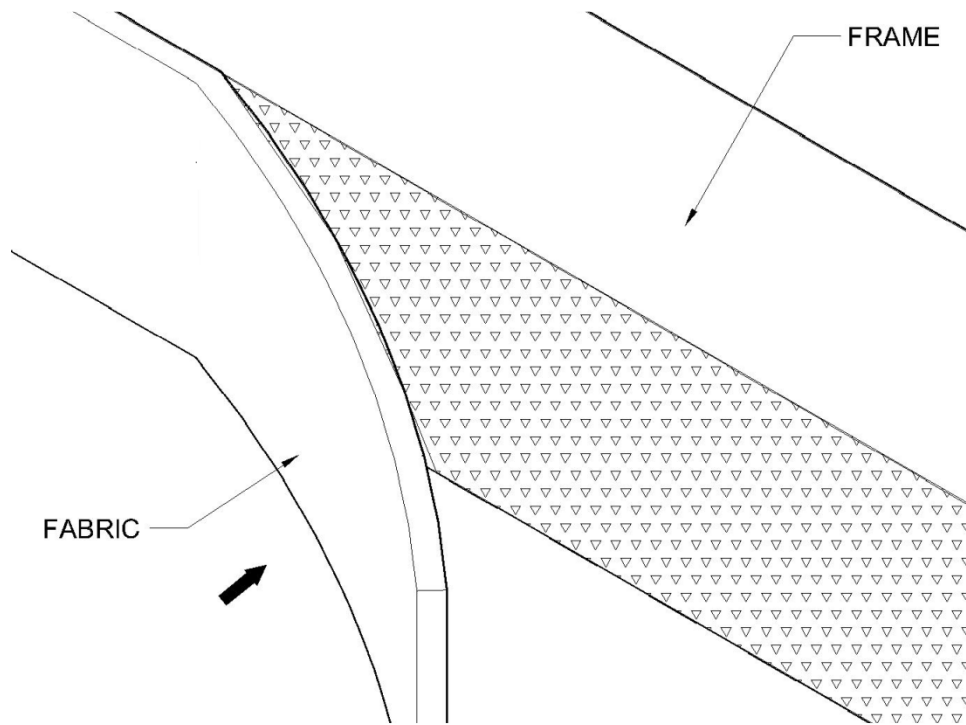
**Frame 2'-4'**



**Frame 5'-7'**



**STEP 8:** Once you are satisfied with the position of the cover, pull the tabs snugly and attach them to the pre-installed Velcro tape on the bars.



**NORMAL WEAR & TEAR:**

The weather in certain regions of the country contributes to wear and tear of the awnings. If you live in these areas (High maintenance areas: FL, TX, NM, AZ, NV or high-altitude areas) weather conditions (including sun) can take a toll. Normal wear and tear is not covered in our warranty and should be expected. Damages caused by improper anchoring, strong winds, snow or ice are not considered defects. We offer replacement fabric at affordable prices

**CLEANING & CARE:**

Awnings should be cleaned at least once a year in low maintenance areas or twice a year in high maintenance areas (see high maintenance areas above). Cleaning consists of brushing off debris with broom, brushing on a non-detergent cleaning compound (such as a solution of 1-part vinegar to 1-part water), allowing the awnings to sit for 20 minutes, and then rinsing. Remember that your awning is an exterior product; You'll need to clean your awning to preserve and extend its beauty and life. Please refer to the cleaning and care chart below if you acquire a stain from one of the ingredients on the list.

**CLEANING CHART FOR TYPICAL AWNING STAINS**

| STAIN       | RECOMMENDED CLEANING SOLUTIONS                      |
|-------------|---|
| CHARCOAL    | Vacuum, then liquid detergent                       |
| CHEWING GUM | Acetone   |
| SODA        | Liquid detergent                                    |
| CAR GREASE  | Acetone   |
| IRON RUST   | Oxalic or citrus acids, water                       |
| MILDEW      | 1 cup of bleach and ¼ mild soap per gallon of water |

|                        |                                   |
|------------------------|-----------------------------------|
| OIL                    | Acetone                           |
| PAINT (LATEX) WET      | Liquid detergent, water           |
| PAINT (LATEX) DRIED    | Paint, oil or grease remover      |
| PAINT (OIL OR LACQUER) | Paint, oil or grease remover      |
| SUNTAN LOTION          | Pine Power® or pine oil detergent |
| TREE SAP               | Turpentine, liquid detergent      |