



Savannah Style Awning

OWNER'S MANUAL & INSTALLATION INSTRUCTIONS

- ▲ **WARNING:** Adult Assembly Required
- ▲ **WARNING:** Assembly Kit Contains Parts With Sharp Points, Sharp Edges, and Small Parts That Can Present Choking Hazards to Children.
- ▲ **WARNING:** Components Are Packed In Plastic Bags that are a Suffocation Hazard.

NOTE: Please inspect the parts for damage during shipping and/or for any missing items. If you suspect that there may be damage or a shortage, contact us and we will send replacement parts if needed. At this time, visualize how the components fit together and make sure that you have identified the various parts.

Models with Valance:

RS22, CS33, CS3618

Awning size	Width in inches	Awning Size	Width to Inches
3	40.5	12	148.5
4	52.5	13	160.5
5	64.5	14	172.5
6	76.5	15	184.5
7	88.5	16	196.5
8	100.5	17	208.5
9	112.5	18	220.5
10	124.5	19	232.5
11	136.5	20	244.5

OUR AWNINGS ARE DESIGNED 4.5" WIDER THAN STANDARD WINDOW/DOOR OPENINGS SO THEY ANCHOR TO THE STUDS AROUND THE WINDOW OR DOOR. EXAMPLE: RR22-5 IS FOR 5'-0" WIDE WINDOW. IT MEASURES 64.5" WIDE, 31" TALL, (24" PLUS 7" VALANCE AND 24" DEEP (PROJECTION))

There is a variety of building wall surfaces; we do not supply the hardware to install your awning. You will need to purchase installation hardware at your local hardware store. We have advised you on different surface applications below:

CONCRETE BLOCK WALLS: (1) 1/2" masonry bit with a 3/8" shank, (4-5) 5/16"x3" Masonry anchor bolts, 9/16" socket.

METAL BUILDINGS: (1) 2X6X8 #2YP Cut into 12" blocks for the back side of the metal, (4-5) 5/16"x4" lag bolts, (4-5) 5/16" washer and 3/8" drill bit. Bolt through the washer, the bracket and the metal into wood blocks behind the metal.

ANY TYPE OF SIDING: (4-5) 1/4"x4" toggle bolts, (4-5) 1/4" washers, (1) Flat head screwdriver, (1) 1/2" drill bit (or if you hit a stud) ; (5-8) 5/16"x4" lag bolts, (4-5) 5/16" washers, (1) 3/16" drill bit and a 9/16" socket.

CONCRETE, BRICK OR STONE: (1) 1/2" Masonry bit with a 3/8" shank, (4-5) 5/16"x3" masonry anchor bolts, (4) 5/16"x4" bushings, 9/16" sockets. You will also need a roll of weather stripping.

Stucco: (4-5) 1/4"x4" toggle bolts, (4-5) 1/4" washers, (1) flat head screwdriver, (1) 1/2" drill bit (or if you hit a stud): (4) 5/16"x4" lag bolts, (4-5) 5/16" washers, (1) 3/16" drill bit and a 9/16" socket.

PARTS:

Awning Size in Ft.	3	4	5	6	7-10	11-12	13-18	Custom
(TB) Top Bar – C Channel	1	1	1	2	2	3	3	
(FB) Front Bar	1	1	1	2	2	3	3	
(CVS) Cover Support	2	2	2	2	2	2	2	
(SVMC) Cover Support	0	1	1	1	3	2	5	
(P) Projection	2	2	2	2	2	2	2	
(B) Back Bar	2	2	2	2	2	2	2	
(PM) Projection Bar Assembly	0	0	1	1	3	2	5	
(CSB) Middle support	0	0	2	2	4	3	6	

Other parts: Z-Brackets, Self-tapping Screws

All awning sizes over 6' wide come in to sections. Example: Size 6' Top Bar (TB) consists of TB1 & TB2 and Front Bar (FB) consist of FB1 & FB2

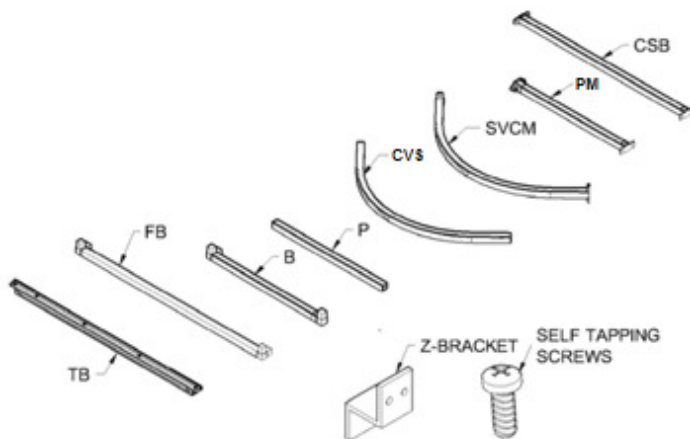
Tools Required: Electrical Drill, 1/4" Nut Driver Bit, Full Socket Set, Full set of Steel and Masonry Bits, Tape Measure, Safety Glasses, 4' Level, A Safe Ladder, A #2 Pencil

YOU MAY ALSO NEED AN ASSISTANT FOR LARGER AWNINGS. IT DEPENDS ON THE SIZE AND WEIGHT OF THE AWNING.

NOTE: YOU WILL FIND THAT THE FITTINGS HAVE BEEN PRE-INSTALLED, AS WE HAVE PRE-ASSEMBLED AND INSPECTED IT FOR YOU IN THE FACTORY.

Savannah should be assembled on the ground

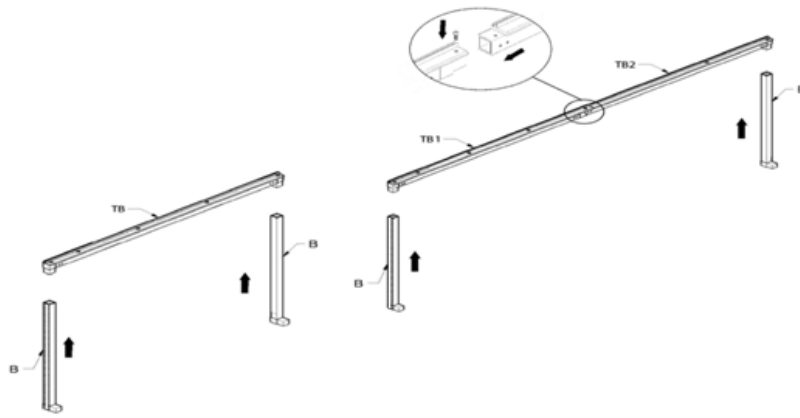
STEP 1: Separate all of the parts, so they will be easy to assemble. Please refer to Parts chart for quantities for each part. (pg. 2)



Step 2: Connect Top Bar (TB) to the (2) two back bars (B). Make sure the C-Channel is towards the back. The Velcro on the back bars should be facing the rear. Use a rubber mallet to fully seat the tubing into the fitting. Secure with self-tapping screws.

Frame 2'-4'

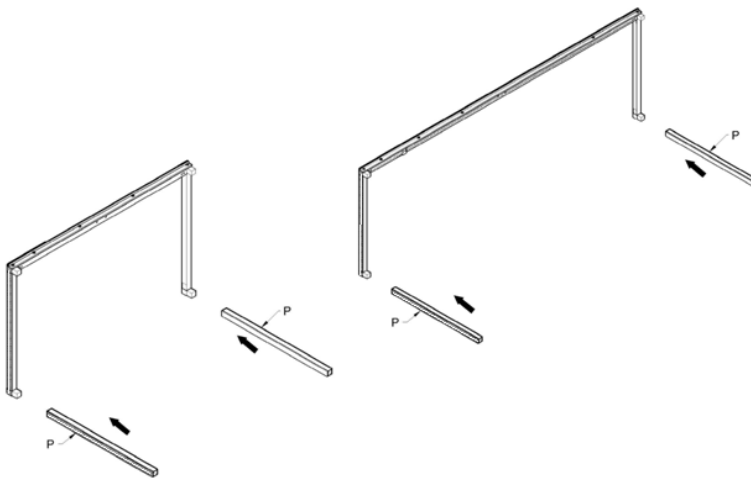
Frame 5'-24'



Step 3: Connect Both Projection Bars (P) in the other ends of the Back Bars (B). The Velcro will face outwards.

Frame 2'-4'

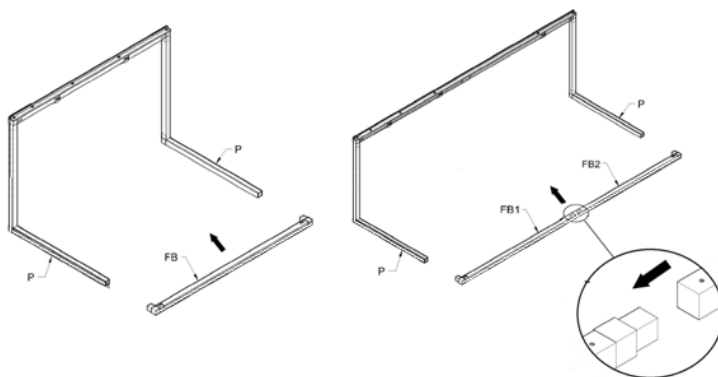
Frame 5'-24'



Step 4: Connect the Front Bar (FB) to the projection Bars (P). Velcro will be facing out. Secure with Self tapping screws.

Frame 2'-4'

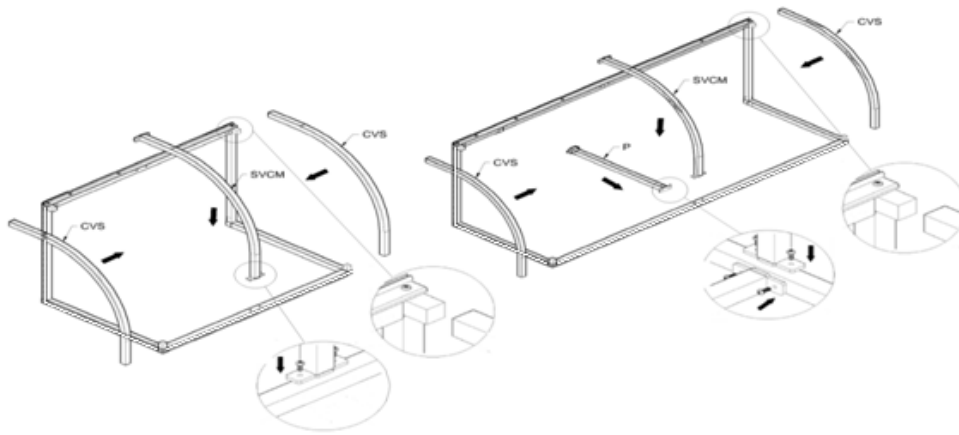
Frame 5'-24'



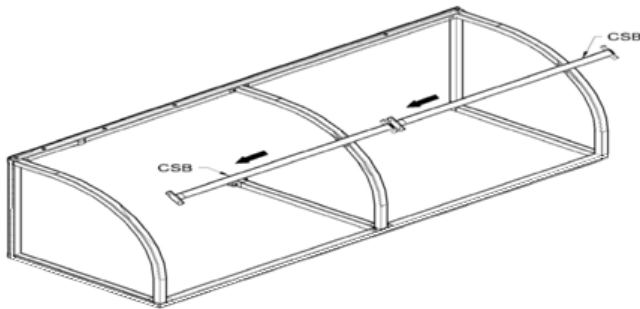
Step 5: Install the Cover Supports (CVS) and Cover support (SVC) with arrows pointing upward. Attach both ends to the (TB) and (FB). Larger awnings add Cover support (SVC) and Wall Support (PM). Secure with self-tapping screws. Please keep in mind with (PM) Wall Supports there will be no pre-drilled holes. You'll use the self tapping screws to secure them to the back end of the front bar wherever space is available.

Frame 2'-4'

Frame 5'-24'



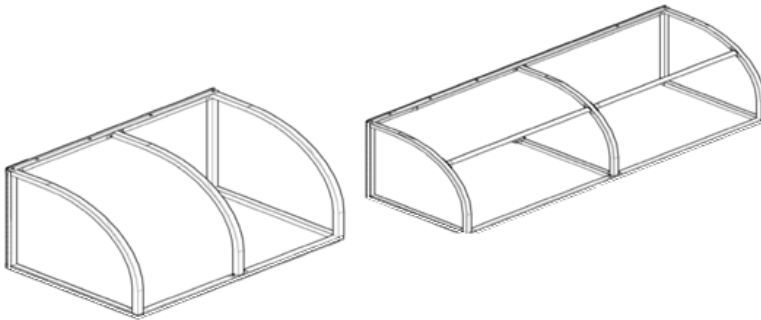
Step 6: Attach CSB secure with self-tapping screws.



The frame for the Savannah is complete

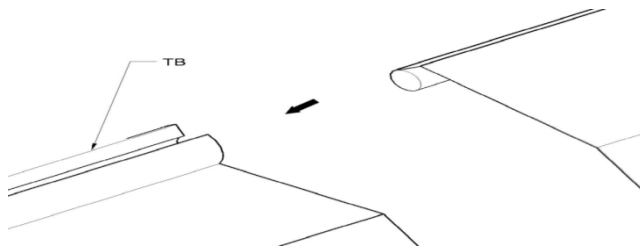
Frame 2'-4'

Frame 5'-24'



INSTALLING THE COVER

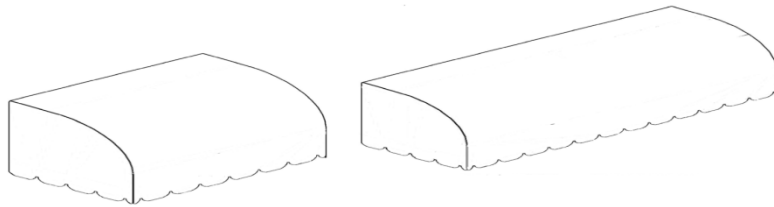
STEP 7: Slide the tubing at the top of the fabric cover into the C-Channel on the top of (TB).



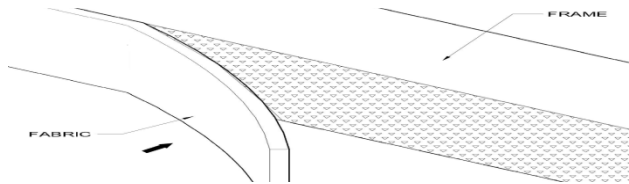
STEP 8: Pull the remainder of fabric over the frame with the valance hanging down below the NC) and (FB) bars.

Frame 2'-4'

Frame 5'-24'



STEP 9: Once you are satisfied with the position of the cover, Pull the tabs snugly and attach them to the pre-installed Velcro tape on the bars.



MOUNTING THE AWNING

STEP 10: Place the awning on in desired location. From the inside of the awning make a mark on the wall where the awning touches. (See the chart below for the height measurements)

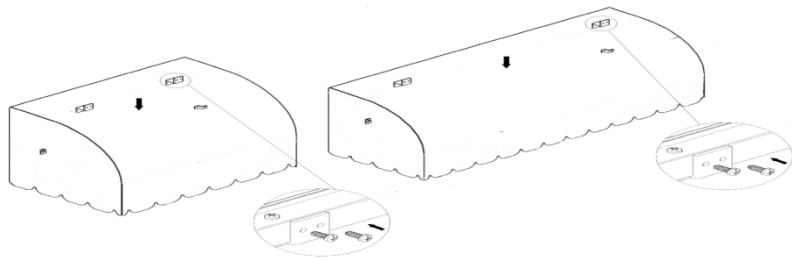
***All sizes are in inches**

***all the sizes are in inches							
Model	Space between TB and P	Height incl valance	Projection	Model	Space between TB and P	Height incl valance	Projection
RS22	24	31	24	RS22-NV	24	24	24
CS33	36	44	36	CS33-NV	36	36	36
CS3618	36	44	18	CS3616-NV	36	36	18
SAV1818	18	24	18	SAV1818-NV	18	18	18
SAV4848	48	56	48	SAV4848-NV	48	48	48

Step 11: install the Z-Brackets, temporarily place the awning on the wall to make sure it fits prior to tightening screws. Please keep in mind there are no pre-drilled holes for the Z brackets on the frame. You'll use self tapping screws to secure the brackets wherever you need them.

Step 12: Remove the awning and tighten wall brackets.

Step 13: Install weather Stripping on the awning outside parameter. Place the awning back on the brackets. Drill two holes for self-tapping screws thru the (TP) use Z-Brackets for guide. Secure with self-tapping screws.



CLEANING & CARE

NORMAL WEAR & TEAR:

Certain regions of the country are extremely hard on awnings of any kind. If you live in these areas, (High maintenance areas: FL, TX, NM, AZ, NV or high altitude areas) you probably already know how the sun can take a toll. Normal wear and tear is not covered in our warranty and should be expected. Damages caused by improper anchoring, strong winds, snow or ice are not considered defects. We offer replacement fabric at affordable prices.

CLEANING & CARE:

Awnings should be cleaned at least once a year in low maintenance areas or twice a year in high maintenance areas (see high maintenance areas above). Cleaning consist of brushing off debris with broom, brushing on a non-detergent cleaning compound (such as a solution of equal parts vinegar and water), let it sit for 20 minutes and rinse. Remember that your awning is an exterior product, You'll need to clean your awning to preserve and extend its beauty and life. Please refer to the cleaning and care chart below if you acquire a stain from one of the ingredients on the list.

CLEANING CHART FOR TYPICAL AWNING STAINS

STAIN	RECOMMENDED CLEANING SOLUTIONS
CHARCOAL	Vacuum, then liquid detergent
CHEWING GUM	Acetone
SODA	Liquid detergent
CAR GREASE	Acetone
IRON RUST	Oxalic or citrus acids, water
MILDEW	1 cup of bleach and ¼ mild soap per gallon of water
OIL	Acetone
PAINT (LATEX) WET	Liquid detergent, water
PAINT (LATEX) DRIED	Paint, oil or grease remover
PAINT (OIL OR LACQUER)	Paint, oil or grease remover
SUNTAN LOTION	Pine Power® or pine oil detergent
TREE SAP	Turpentine, liquid detergent