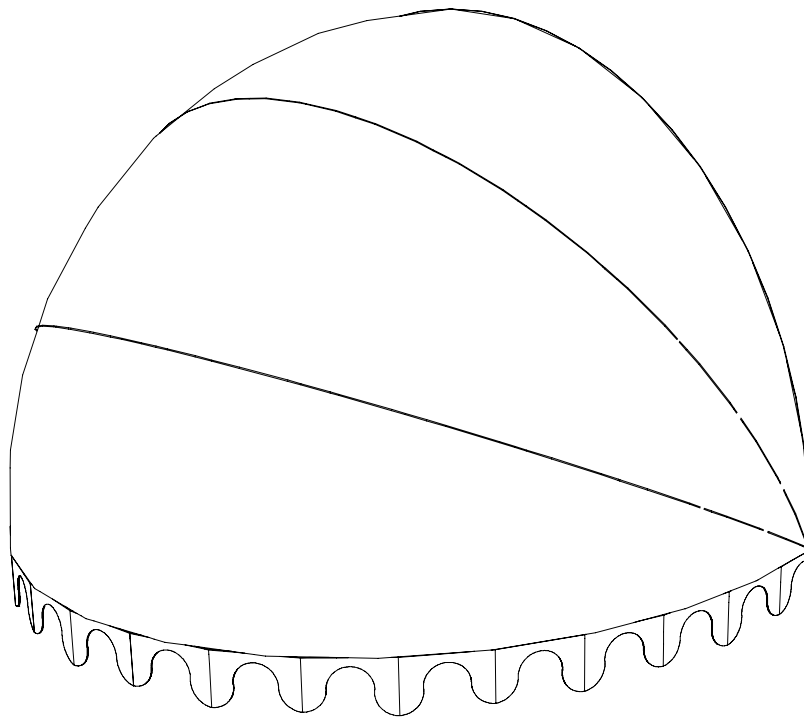


SEVILLE ROLL-UP AWNING INSTALLATION INSTRUCTIONS



For Ease of Assembly and Installation

- Familiarize yourself with component parts

Recommended Tools:

Phillips Screw Driver

Tape Measure

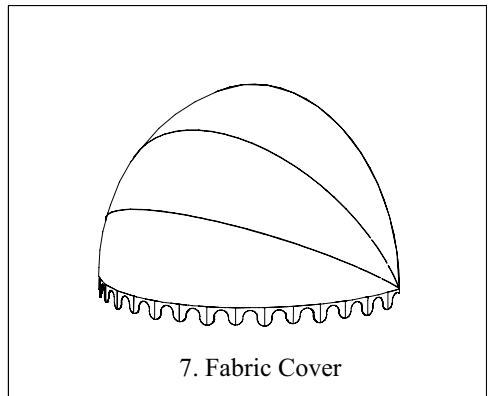
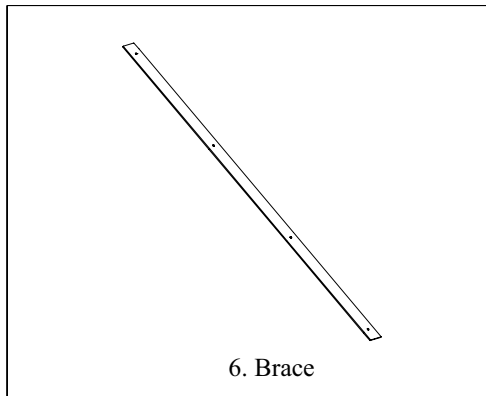
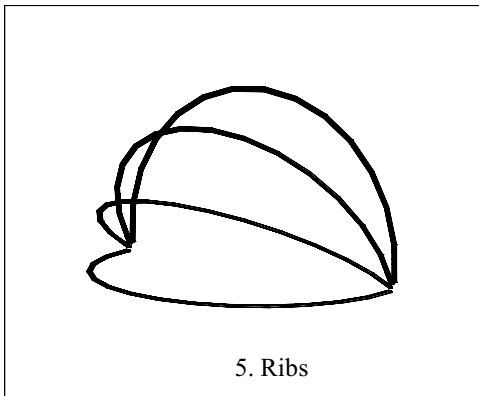
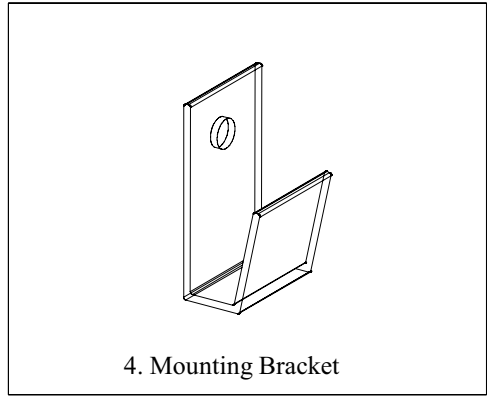
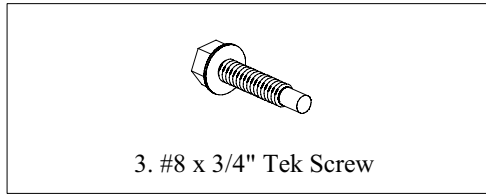
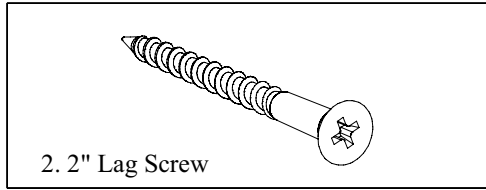
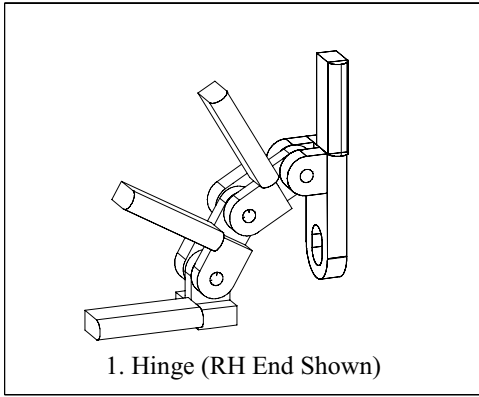
Carpenters Level

(If Awning is being Attached to Brick or Masonry a Drill,
Masonry Bit, and Masonry Anchors are Required)

Not Included

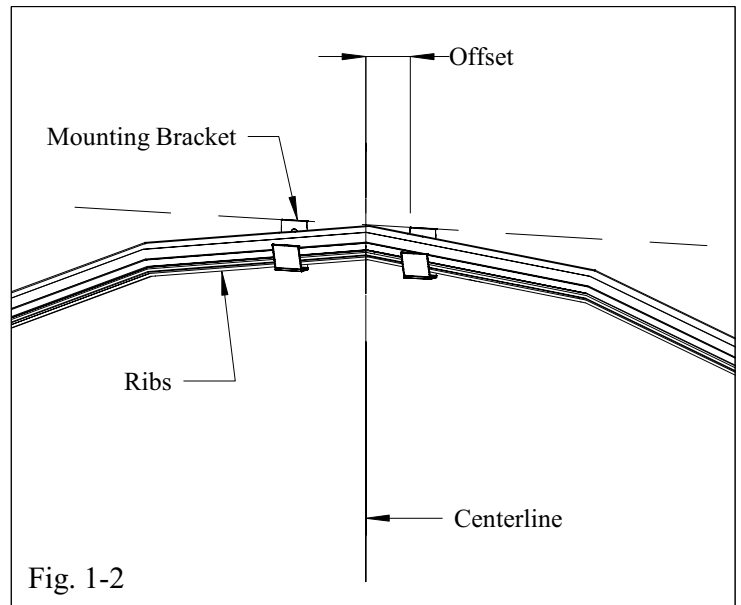
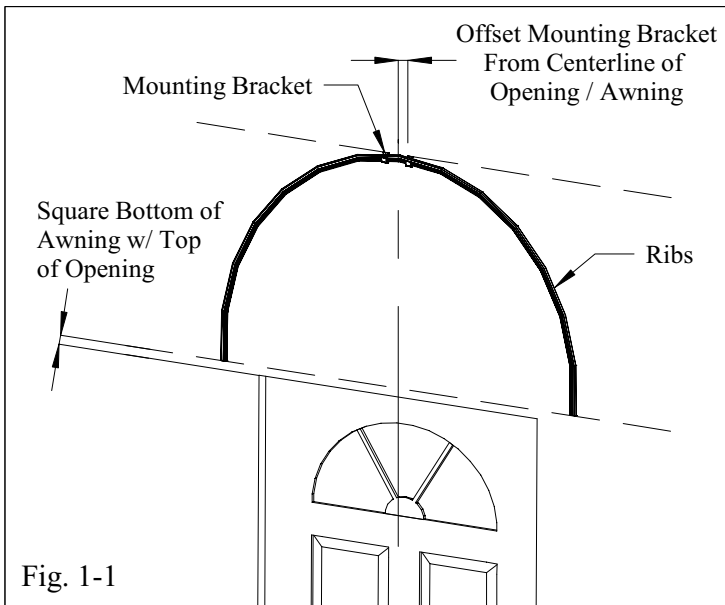
AWNING PARTS LIST

NOTE: The number of parts needed for installation will vary on the size of the awning.



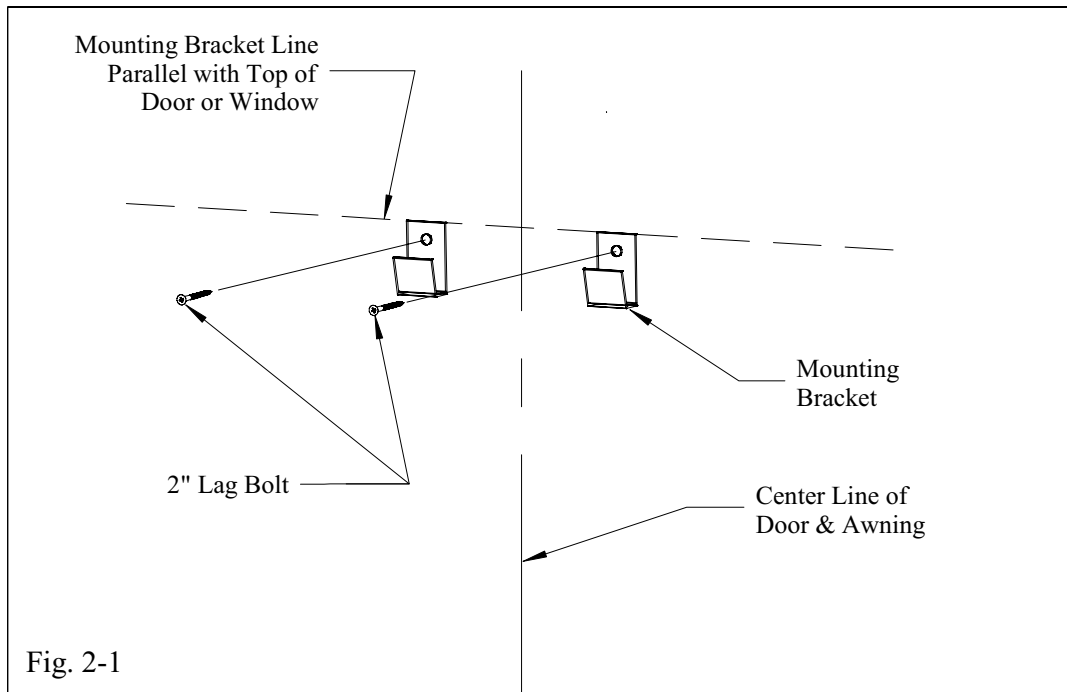
STEP 1.

Hold awning up and mark wall for mounting brackets (see Fig. 1-1). Do Not place bracket in center as there will be a center brace on the awning (see Fig. 1-2).



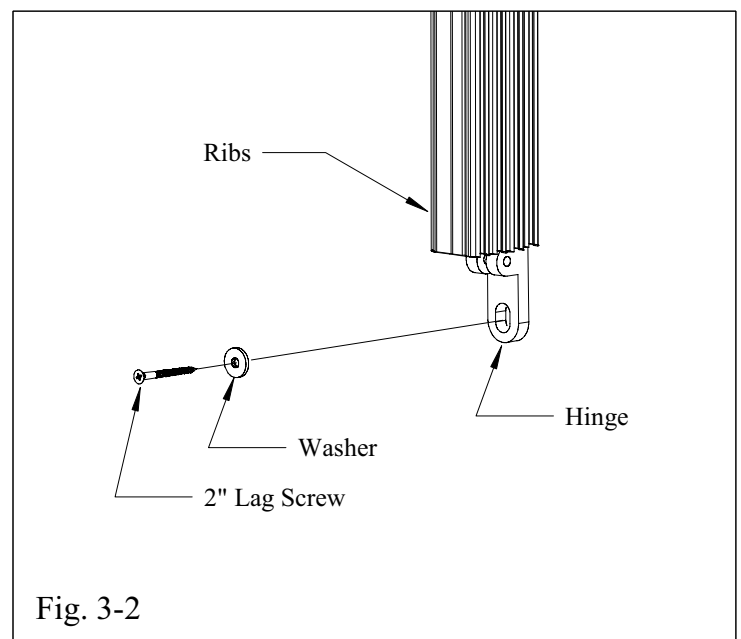
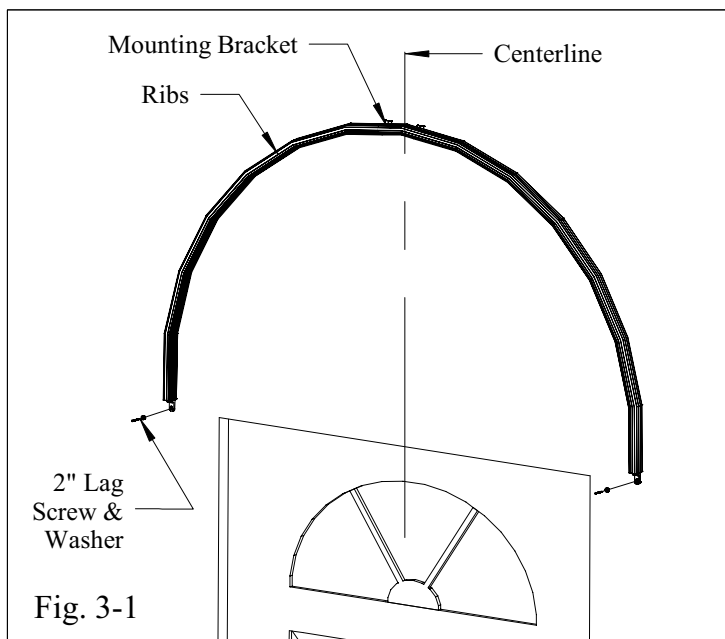
STEP 2.

Once marked remove awning and attach mounting brackets to wall (see Fig 2-1). Attach with the 1 1/2" lag screws provided. If mounting on brick or stone, use masonry anchors (not included).



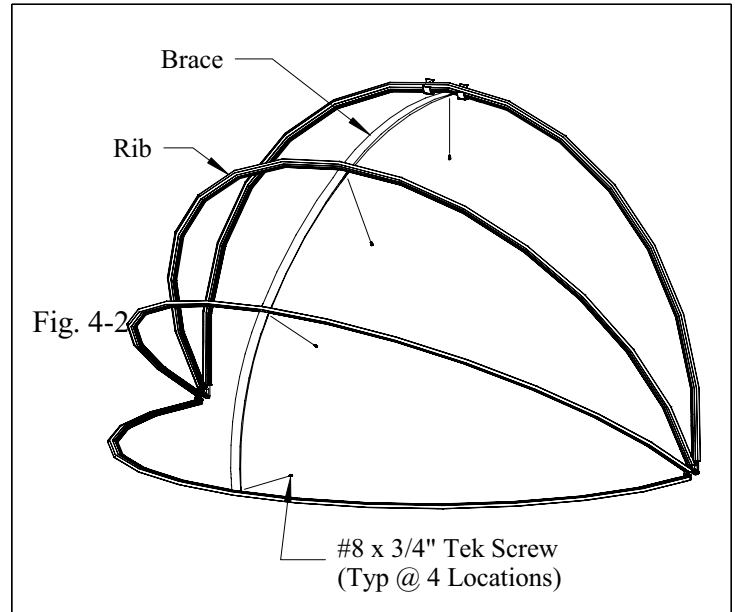
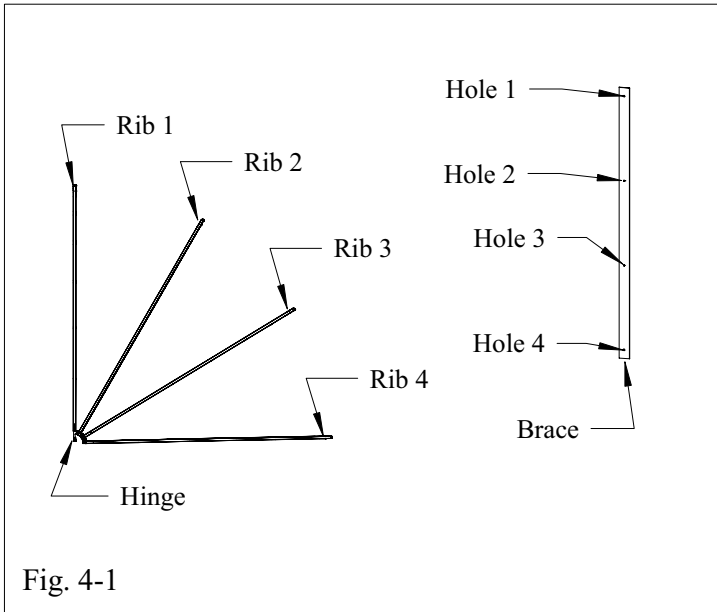
STEP 3.

Center awning over window or door and attach at bottom hinge holes. Note: The awning must be folded up to reach the hinge holes.



STEP 4.

Once the awning is secured it is ready to be braced if desired. Braces are numbered to match the rib they attach to. Attach the braces using the #8 x 3/4" Tek Screws provided (as Shown). Units over 42" will have three braces instead of the single bracing shown.



INSTALLATION COMPLETED

