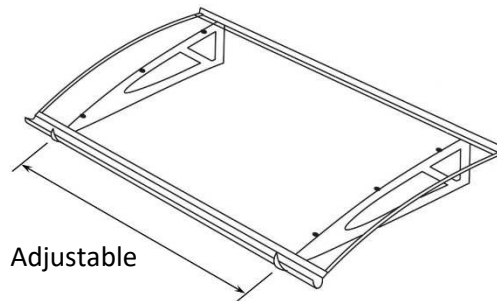


Tampa Series Canopy Assembly and Installation Instructions

<http://www.generalawnings.com/instructions>

Assembly



1. Make sure you have all the parts: 2 steel brackets, PC sheet, 2 side bars, back bar, front gutter, 2 rubber seals, 4 large screws, 4 small screws, 6 bolts, 6 nuts, 12 washers.
2. The bracket position along the width of the canopy is adjustable during the assembly. Decide where you want the brackets located relative to the PC sheet.



3. Lay the PC sheet on the floor or table with the non-transparent protective film facing up. Put one of the brackets on top of the PC sheet with the bracket holes facing toward the center and make a mark at the outside edge of the bracket. Repeat with the other bracket.
4. Use a ruler to draw bracket lines through these marks parallel to the side edges of the PC sheet. It is important that the lines are parallel to the side edges. Designate one of the sheet edges perpendicular to the lines as Back.

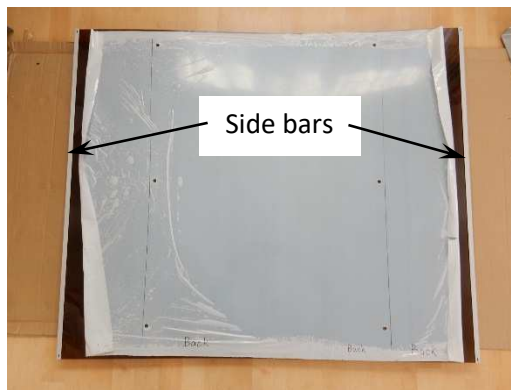




- Align the edge of the supplied Bracket Hole Template with the bracket line and the Back end of the template with the Back edge of the PC sheet. The template should be located toward the center of the PC sheet. Fix the template in place with adhesive tape. Put a mark for a bracket hole through each of the 3 circles in the template. Repeat for the other bracket.



- Put a piece of wood under the sheet to protect the floor or table. Use a 3/8" drill bit to drill 3 holes for each bracket.



- Peel the protective film back about 1" from all 4 edges of the PC sheet on both sides. Install the side bars on the PC sheet.



- Install a rubber seal on the back edge of the PC sheet, then install the back aluminum bar. The flat side of the back bar should be on the side of the non-transparent protective film. It will face up when the awning is installed.



9. Install a rubber seal on the front edge of the PC sheet, then install the front gutter. The open side of the gutter should be on the side of the non-transparent protective film.



10. Drill a pilot hole in the corner through the back bar and side bar and drive a small screw to fix the side bar inside the back bar. Repeat in the other 3 corners to fix both side bars in the back bar and front gutter.



11. Peel back the protective film from the side edges of the PC sheet as shown. Attach the two steel brackets using the supplied bolts with nuts and washers. Use a washer both for the bolt head and the nut.



12. The canopy is ready for installation.

Installation

Install the canopy on the wall using wall anchors appropriate for your siding and wall construction. Make sure that the canopy is attached to structural framing. Depending on the mounting surface and the location of structural framing members, a ledger board may be required.

Use exterior grade caulk to seal the top of the canopy against the wall. Remove the protective film.